

Submersible LED Trailer Lighting Kits

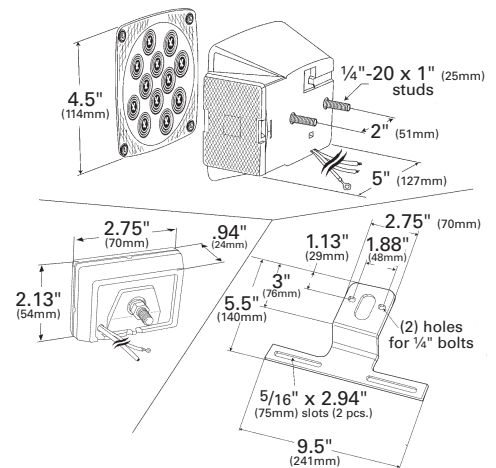
Data sheet

RV, MARINE AND UTILITY TRAILER LIGHTING



PRODUCT SPECIFICATIONS

Amperage	.22A
Connection type	Blunt Cut / Ring Terminal
Mounting type	Stud
Application	Trailers under 80" wide
Regulations	FMVSS 108
Functions	P2 / S / T / I / A
Materials	Lens: Acrylic Housing: Polypropolene
Feature	with Clearance Marker



Grote's Submersible LED Trailer Lighting Kits: enhanced durability, longer life, and better end-user value.

Available in our popular square design, these 7-function Submersible LED Trailer Lighting Kits combine rugged LED performance with total submersible capability. These kits are newly packaged to take up less space and include an interactive "Try Me" feature.

Kits include stop/tail/turn lamps, optional clearance marker lamps, trailer harness, license bracket, and mounting hardware required for easy installation.

Multifunction lighting kit provides: Stop/tail/turn, side and rear reflectors, clearance/marker, and license functionality.

- Replacement lighting kit for submersible LED trailer lights
- Popular square design
- 7-function submersible kit
- Kit includes lamps, trailer harness, license bracket and mounting hardware
- Ideal for boat trailers, utility trailers, and other light-duty, recreational trailers

Part Number	Connection Type	Features
65320-5	Blunt Cut / Ring Terminal	w/o Clearance Markers
65330-5	Blunt Cut / Ring Terminal	w/ Clearance Markers

2600 Lanier Drive, Madison, Indiana U.S.A. 47250-0550

U.S. 800.628.0809 Canada 800.268.5612

Europe +49 9422 40331-0 Mexico +(52) 818262 4412 China +86.21.5774.9633

grote.com

Grote