

**BUL06CB**

**FLEET Count™ 4" Round Sealed Clear DOT LED Back-Up Lights**

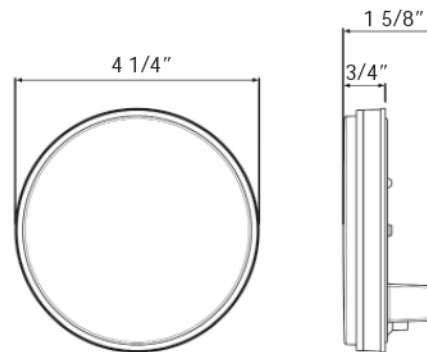
- Sonically sealed, waterproof
- Certified for back-up light function when installed as pair in two-lamp system [SAE (2)R]
- Accept standard two-pin plugs



BUL06CB

BULK P/N	POLYPACK P/N	DESCRIPTION	QTY
<b>CLEAR BACK-UP LIGHTS - 6 DIODES</b>			
BUL06CB	BUL06CBP	12V	10
<b>ACCESSORIES</b>			
A45GB	A45GBP	Grommet	50
A45CB	A45CBP	Pigtail, 2-wire	100
A49PB	A49PBP	Right angle pigtail, 2-wire	100
A45BB	A45BBP	Black plastic flange	100
A45SB	A45SBP	Stainless steel mounting flange	20
A42FCB	A42FCCBP	Chrome flange cover	50
A45CGB	A45CGBP	Chrome grommet cover	20

<b>FMVSS</b>	(2) R
<b>MATERIALS</b>	Polycarbonate lens and housing
<b>VOLT/AMP</b>	12.8VDC - 0.180A
<b>WT/DIMS</b>	.21 lbs / 4.25" x 4.25" x 1.625
<b>WARRANTY</b>	Lifetime LED Warranty



HOLE CUT-OUT: 4.5"