



America's Largest Offshore Vehicle Lighting Manufacturer.



LPL11 Series

Snap-In Mini License Plate Light

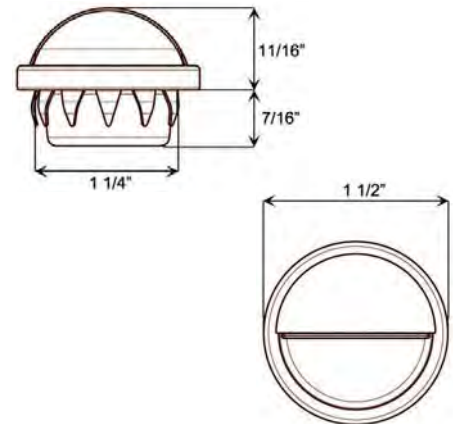
- Two LEDs
- Easy snap-in mounting
- Sonically sealed, waterproof
- Two-wire design includes both lead and ground wire



LPL11CB

LPL11CB License Light, 12V

FMVSS	(2) L
MATERIALS	Polycarbonate lens and chrome-plated brass housing
VOLT/AMP	12.8VDC - 0.306A
WT/DIMS	0.068 lbs. / 1.5" x 1.5" x 1.125"
WARRANTY	Lifetime LED Warranty



LED LIFETIME WARRANTY
NO BULBS TO REPLACE EVER!