

optronics®

GloLight™

LED LIFETIME WARRANTY
NO BULBS TO REPLACE EVER!

**LED PARKING/
REAR TURN SIGNAL**

STL101 AMBER SERIES

Unique New Look!

Glowing ring for parking lamp function

Lifetime LED Warranty

Solid state components for increased performance and reliability—no bulbs to replace, ever!

Waterproof Design

Resists damage caused by moisture



PARKING LAMP FUNCTION

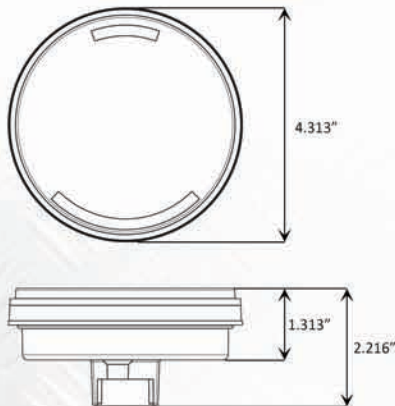
GloLight ring illuminated for unique appearance



TURN SIGNAL FUNCTION

Inner LEDs light and ring brighten for turn signal

WATERPROOF



21
DIODES
per light

STL101AB Amber Parking/Turn Signal
STL101ACB Amber, Clear Lens, Parking/
Rear Turn Signal

Pack Qty: 10
FMVSS: I6 P
Materials: Polycarbonate lens and housing
Volt/Amp: 12.8VDC - Turn .315A, Park .143A
Connection: PL-3
Wt/Dims: .362 lb / 4.313" x 4.313" x 2.216" D
Warranty: Lifetime LED Warranty



WATCH THE VIDEO
See GloLight features
and benefits

www.optronicsinc.com
800-364-5483

optronics®