



America's Largest Offshore Vehicle Lighting Manufacturer.

STL13 SERIES

FLEET Count™ 4" Sealed LED Stop/Turn/Tail Lights

LED LIFETIME WARRANTY
NO BULBS TO REPLACE EVER!

- Sonically sealed, waterproof
- Available in grommet and flange mount models
- Available with standard PL-3, male pin, weathertight or hard wired connections

- STL13RB** Recess grommet mount, PL-3
- STL13RMB** Recess grommet mount, weathertight
- STL13RGB** Recess grommet mount, male pin
- STL13RH1B** Recess grommet mount, hard wired PL-3 female plug
- STL13RH3B** Recess grommet mount, hard wired .180 male bullets
- STL13RFB** Recess flange mount, PL-3
- STL13RFMB** Recess flange mount, weathertight



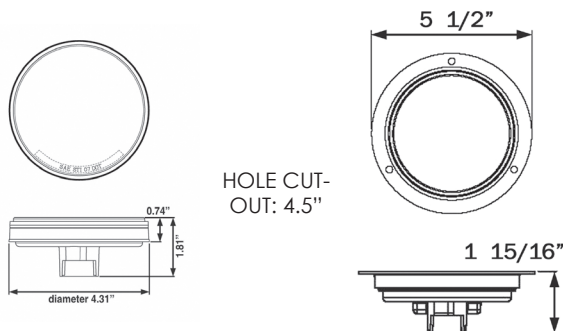
STL13RB



STL13RFB

Pack Qty: 10
 FMVSS: S T I
 Diode Qty: 7
 Materials: Polycarbonate lens and housing
 Volt/Amp: 12.8VDC - .234A Stop/Turn, .033A Tail
 Wt/Dims: .265 lbs. / 4.31" x 4.31" x 1.81"
 .275 lbs. / 5.5" x 5.5" x 1.938"
 Warranty: Lifetime LED Warranty

WATERPROOF



PL-3

Weatheright

Male pin