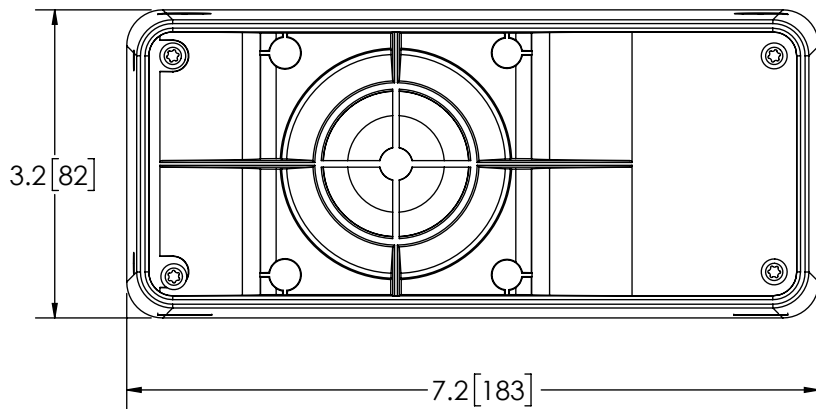
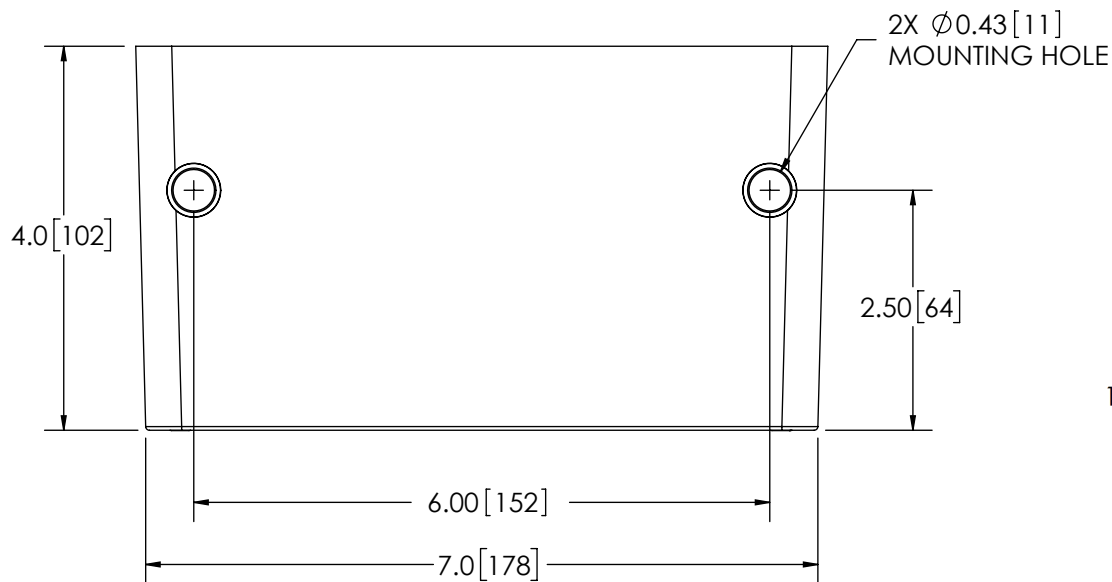


REVISION HISTORY		
REV.	DESCRIPTION	DATE
A	INITIAL RELEASE PER P08032	2011-10-25
B	REVISED PER P08032	2022-03-14
C	REVISED PER EL0262	2023-08-23




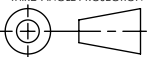
SPECIFICATIONS

- CERTIFICATIONS: **CE**; e; SAE J994 (March 2009) Type A, B, or C;
 Note: Unique components, accessories, and hardware kits are not typically included in the Product Certification Test Protocols. Unless otherwise Specified, the Product Certifications referred to herein are predicated upon the base product model configuration.
- SOUND PRESSURE LEVEL: 112 ± 4 dB (A) @ 1.2m (4ft)
 107 ± 4 dB (A) @ 1.2m (4ft)
 97 ± 4 dB (A) @ 1.2m (4ft)
- VOLTAGE (NOMINAL): 12-36 VDC
- VOLTAGE (EXTREME): 9-42 VDC
- CURRENT (PEAK): 1.3 A (@ 12 VDC NOMINAL)
- POWER (MAXIMUM): 18.4 W (@ 12 VDC NOMINAL)
- TEMPERATURE RANGE: -40°F (-40°C) TO 185°F (85°C)
- FREQUENCY: 700 to 2800 Hz
- CONNECTION: 8-32 UNI STUD CONNECTION
- RECOMMENDED MOUNTING: 3/8 - 16 UNC, GRADE 5 OR BETTER; 3/8" TYPE A, SERIES N OR W WASHER
- HOUSING MATERIAL: GLASS-FILLED NYLON
- PRODUCT WEIGHT: 3.11 LBS (1.4 Kg)

NOTES:
 1. DIMENSIONS IN INCHES[MILLIMETERS (FOR REFERENCE)]

PROPRIETARY AND CONFIDENTIAL INFORMATION

THIS DRAWING AND THE DESIGN AND OTHER INFORMATION DISCLOSED HEREIN ARE THE PROPERTY OF ELECTRONIC CONTROLS COMPANY AND/OR ITS ECCO SAFETY GROUP AFFILIATES ("ECCO") AND IS ISSUED IN CONFIDENCE TO RECIPIENT FOR ENGINEERING INFORMATION PURPOSES ONLY. THIS DRAWING AND THE DESIGN AND OTHER INFORMATION DISCLOSED HEREIN MAY NOT BE USED, COPIED, REPRODUCED OR OTHERWISE DISCLOSED IN PART OR IN WHOLE TO THIRD PARTIES OR USED FOR ANY OTHER PURPOSE WITHOUT PRIOR ECCO WRITTEN CONSENT. ECCO RESERVES ALL PATENT, COPYRIGHT, TRADEMARK AND OTHER PROPRIETARY RIGHTS TO THIS DOCUMENT, INCLUDING ALL DESIGN, MANUFACTURING, REPRODUCTION, USE AND SALES RIGHTS THERETO. THIS DRAWING IS SUBJECT TO RECALL BY ECCO AT ANY TIME, AND YOUR POSSESSION AND/OR USE CONSTITUTES ACCEPTANCE OF THESE TERMS. ©2010 ELECTRONIC CONTROLS COMPANY

SCALE 1:2		APPROVALS	DATE	
CAD GENERATED DRAWING DO NOT MANUALLY UPDATE. MODEL REFERENCED: C		DRAWN BY BTK	2023-05-30	
		CHECKED AH	2023-06-08	
TOLERANCES ARE IN INCHES, AND MILLIMETERS TOLERANCES UNLESS OTHERWISE STATED ARE:		MECH. ENG. JLA	2023-05-30	
		ELEC. ENG. SPO	2023-06-06	
MILLIMETERS DECIMALS XX. ± 1.0mm XX.X ± 0.5mm		TEST ENG. HW	2023-06-02	
INCHES DECIMALS X.X ± 0.1 X.XX ± 0.04 X.XXX ± 0.02		SALES.		
ANGLES ± 0.5°		 ECCO ® www.eccolink.com Americas (800) 635-5900 Europe +44 (0)113 237 5340 Asia Pacific +61 (0)3 63322444 ALARM, BACK-UP, 97, 107, 112dB(A), 12-36VDC CUSTOMER PART NO. 112		
FRACTIONS ± 1/64				
THIRD ANGLE PROJECTION 		SIZE: A	DWG. NO. 112	REV. C
Electronically Controlled Use Latest Copy		SHEET 1 OF 1	Project: P08032	Date Created: 2010-12-23