

Recessed Momentary Ground Switch

Product Data Sheet

44380

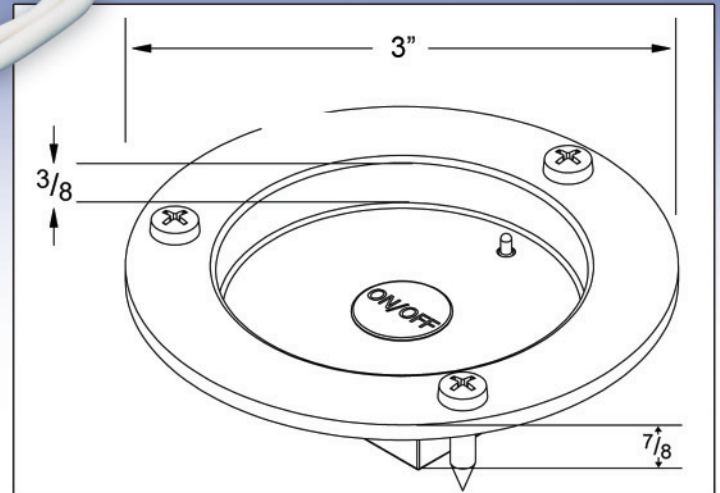
July 2007



- Simple switch to reset the timer function of standard "outside the trailer" switches
- Recessed into trailer wall to eliminate knockoffs and bumps
- Easy to integrate into the current system

Product Features and Benefits:

- Recessed switch easily integrates into the current interior lighting system with a simple two-wire hook-up
- Allows workers to reset the lighting switch from inside the trailer, eliminating poorly lit working conditions and inefficient trips to reset the lights at the front of the trailer
- Switch recess prevents damage from loads and allows for placement anywhere inside the length of the trailer for convenience
- Impervious to moisture and wash chemicals
- Works with Grote timers switches **44360** and **44240**



44380

Material: ABS

Finish: Gray

Voltage: 9-16 Volt range

Part Number	Market	Light Source	Operating Voltage	Current Draw	Interchange
44380 (44380-3 Bulk)	Reefers, Other Trailer Applications	NA	9-16V	100mA	N/A

Grote
The first name in
vehicle safety systems®

2600 Lanier Drive Madison, Indiana U.S.A 47250-0550
U.S. 800.457.9540 Canada 800.268.5612

www.grote.com