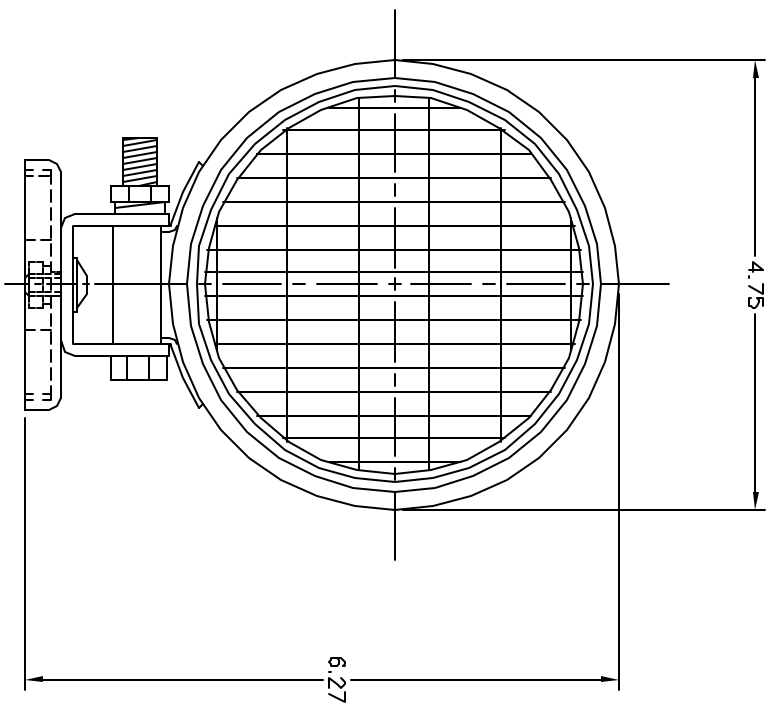
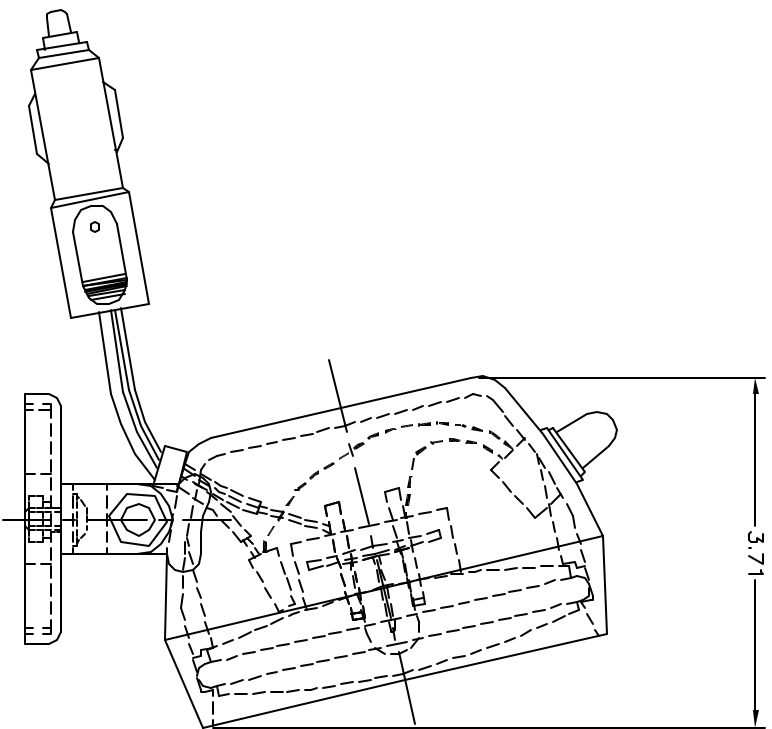


REV.	ECR	DESCRIPTION	DATE
-	3676	INITIAL DRAWING REQUEST	05/15/00
A	8751	ADDED NEW DRAWING FORMAT AND NOTES	12/03/09



NOTES:

- 1) INSTRUCTION SHEET:
P/N PLTWARRANTY
- 2) PACKING:
UNIT BOX P/N PCART97
10 X 12 POLY BAG P/N P30024-14
- 3) BOX LABEL BLANK:
P/N FLABSTR

UNLESS OTHERWISE SPECIFIED: DIMENSIONS ARE IN INCHES		DRAWN BY: DPL	
TOLERANCES: ANGULAR: ± 2 DEG. X ± .100 XX ± .020 XXX ± .005 XXXX ± .001		DRAWING APPROVED BY ECR	
ROHS COMPLIANT: NA		THE INFORMATION CONTAINED IN THIS DRAWING IS THE SOLE PROPERTY OF STAR HEADLIGHT & LANTERN CO., INC. ANY REPRODUCTION IN PART OR AS A WHOLE WITHOUT THE WRITTEN PERMISSION OF STAR HEADLIGHT & LANTERN CO., INC. IS STRICTLY PROHIBITED.	
MATERIAL: NA		STAR HEADLIGHT & LANTERN CO., INC. 455 ROCHESTER ST. AVON NY 14414 Ph: (585)226-9500 Fax: (585) 226-2029	
FINISH: NA		MODEL: 510-1M, 511-1M-*	
DWG. NO. 511-1M		TITLE: MODEL DRAWING	
SCALE: 1:1	DO NOT SCALE FROM DRAWING	REV A	SHEET 1 OF 1