

Trilliant® 36 LED WhiteLight™ Conversion Bulb and Work Lamp with Mounting Bracket

Data Sheet

WORK LIGHTING

Trilliant
36



PAR 36 LED WHITELIGHT™
CONVERSION BULB

LED WHITELIGHT™ WORK LAMP
WITH MOUNTING BRACKET

PRODUCT SPECIFICATIONS

MATERIALS

HARD COATED POLYCARBONATE LENS

BLACK POWDER-COATED DIE-CAST ALUMINUM HOUSING

STAINLESS STEEL BRACKET

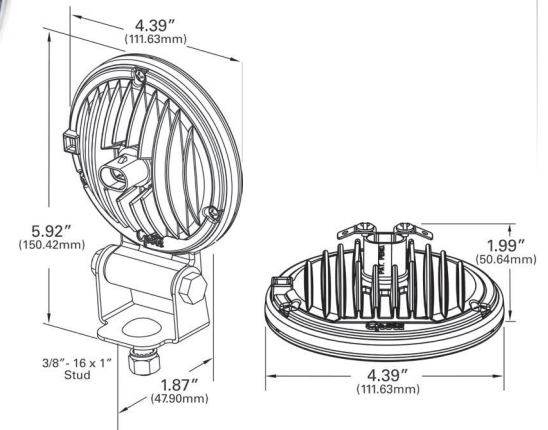
RATINGS AND COMPLIANCES

INGRESS PROTECTION: IP69K

12V/24V BI-VOLTAGE CIRCUIT

LIGHT ENGINE

CORRELATED COLOR TEMPERATURE: 5700K (WIDE FLOOD), 6500K (TRACTORPLUS)



40,000-hour service rating, provides 850 lumens of brilliant LED WhiteLight™ and lasts 100 times longer than incandescent PAR 36 lamps

- Thermal pull back circuit for protection against power surges
- The aluminum housing is powder coated black
- Color temperature provides a natural contrast most like sunlight, reducing eye fatigue and optimizing job performance
- PAR 36 LED Lamp includes a pigtail for hard wired applications

Part #	Connection	Pattern	Description	Amps	Effective Lumens
63971	Hardshell Superseal	TractorPlus	Replaceable bulb version	1.28/65	850
63H81	Hardshell Superseal	Wide Flood	Replaceable bulb version	1.28/65	850
63H01	Deutsch	Wide Flood	Integrated Bracket	1.28/65	850
63H11	Deutsch	TractorPlus	Integrated Bracket	1.28/65	850
63821	Spade/Screw Terminals	TractorPlus	Replaceable bulb version	1.28/65	850
63831	Spade/Screw Terminals	Wide Flood	Replaceable bulb version	1.28/65	850
63861	Hardshell Superseal	TractorPlus	Integrated Bracket	1.28/65	850
63871	Hardshell Superseal	Wide Flood	Integrated Bracket	1.28/65	850

2600 Lanier Drive, Madison, Indiana U.S.A. 47250-0550

U.S. 800.628.0809 Canada 800.268.5612

Europe +49 9422 40331-0 Mexico +(52) 818262 4412 China +86.21.5774.9633

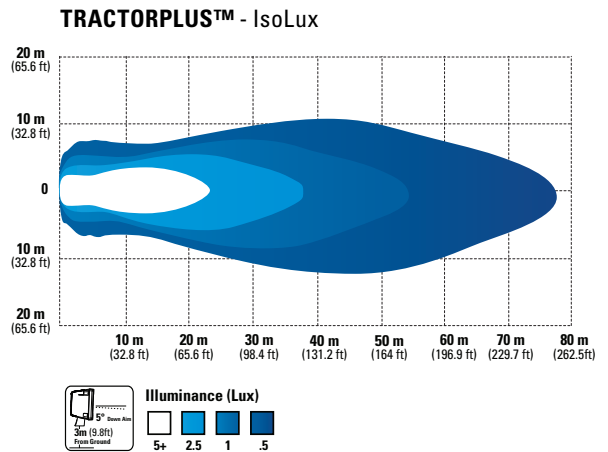
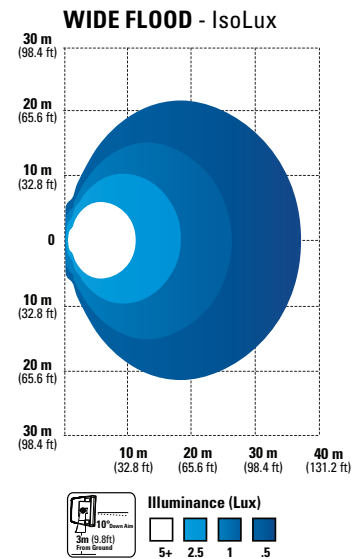
grote.com

Grote

Trilliant® 36 LED WhiteLight™ Conversion Bulb and Work Lamp with Mounting Bracket

Data Sheet

WORK LIGHTING



Not Just More Light - More "Usable" Light!

- Lasts Longer**
 Lasts 100 times longer than a traditional PAR 36 bulb
- Shines Brighter**
 TractorPlus™ beam pattern offers almost 3 times more usable light, compared to traditional PAR 36 bulbs
- Better Value**
 1/8 the cost of a traditional PAR 36 bulb over its service life

Convert the following bulbs to LED WhiteLight™ bulbs

Bulb	TractorPlus™	Wide Flood
4411	●	
4411-1	●	
4411-3	●	
4414	●	●
4422		●
4461	●	
4466	●	
4589	●	
H7606	●	
H7610	●	

2600 Lanier Drive, Madison, Indiana U.S.A. 47250-0550

U.S. 800.628.0809 Canada 800.268.5612

Europe +49 9422 40331-0 Mexico +(52) 818262 4412 China +86.21.5774.9633

grote.com