

Trilliant® Cube LED WhiteLight™ Work Lamp

Data Sheet

WORK LIGHTING



PRODUCT SPECIFICATIONS

MATERIALS

Plug connector type: Deutsch or Hard Shell Superseal
 Operation at ambient temperature with full light output:
 -40 °C to 50 °C (-40 °F to 122 °F)
 Storage temperature: -40 °C to 100 °C (-40 °F to 122 °F)
 Housing material: Aluminum pressure die casting, black powder coated
 Lens: PC, UV-resistant and with anti-scratch coating
 Temperature management: Optimized design of the cooling fins
 Assembly options: Standard bracket with M10 screw

ELECTRICAL PROPERTIES

Input voltage: 9 V - 16 V or 18 V - 32 V
 Power draw: 26 W
 Electrical protection: Reverse polarity, ESD, excess voltage

LIGHT INTENSITY

Light emitting efficiency: 46 (Lumen per Watt)
 Optical performance: Wide Flood, Flood, and Near Flood
 Color rendering index (CRI): 69
 Effective range (5 Lux on ground): Wide Flood illumination
 12 m (39 ft.); Flood illumination 23 m (75 ft.)
 Effective area of dispersal (5 Lux on ground):
 Wide Flood illumination: 7 m (23 ft.);
 Flood illumination: 7 m (23 ft.)

TESTS & CERTIFICATES

Shock test: EN 60068-2-6:1996, EN 60068-2-64:1995, EN 60068-2-29:1993, EN 60068-2-27:2009, EN 60068-2-32:1993
 Thermal stress test: EN 60068-2-2:2007, IEC 60068-2-14:2009
 Protection type: IP69K (ISO 20653), FMVSS108 14.5.2, FMVSS108 14.5.3, ISO 20653-IP6, EN 60068-2-30:2005
 Corrosion: FMVSS108 S14.5.4
 Storage temperature test: ISO 16750-4:2003
 Light output: IESNA LM-79
 EMC Certificate, UN Guideline: 72/245/EEC, CE, CISPR 25 Class 5, R10, R23*

LED performance in a new rugged package provides mounting flexibility, small size, and powerful performance

- Best solution for the most demanding requirements and ambient conditions, provided by using pressure die castings in aluminum for the housing and in stainless steel for the fastening elements (non-rusting).
- Hardened lens to prevent scratches or fading on exposure to the sun
- High efficiency; 1200 Lumen/26 Watt = 46 Lumen/Watt
- Available in Flood, Wide Flood, and Near Flood beam patterns.
- Leak proof sealed lamp is certified IP69K; stands up to scratches, pressure washing, and harsh weather.
- Available with Hard Shell Superseal and Deutsch connector options.

Part Number	Termination	Beam Pattern	Color Temp.	Operating Voltage (V)	Amperage (A)	Effective
63981	HARD SHELL SUPERSEAL	FLOOD	6500	12/24	1.4/7A	1200
63981-5	HARD SHELL SUPERSEAL	FLOOD	6500	12/24	1.4/7A	1200
63991	HARD SHELL SUPERSEAL	WIDE FLOOD	6500	12/24	1.4/7A	1200
63991-5	HARD SHELL SUPERSEAL	WIDE FLOOD	6500	12/24	1.4/7A	1200
63E21	DEUTSCH	FLOOD	6500	12/24	1.4/7A	1200
63Y61	DEUTSCH	NEAR FLOOD	5700	9-32 V	0.75/1.5 A	1200
63Y71	DEUTSCH	FLOOD	5700	12 V	1.9 A	1200
63Y71-3	DEUTSCH	FLOOD	5700	12 V	1.9 A	1200
63Y81	DEUTSCH	NEAR FLOOD	5700	12 V	1.9 A	1200
63Y81-3	DEUTSCH	NEAR FLOOD	5700	12 V	1.9 A	1200
63H31	DEUTSCH	FLOOD	6500	48 V	0.038 A	1200

2600 Lanier Drive, Madison, Indiana U.S.A. 47250-0550

U.S. 800.628.0809 Canada 800.268.5612

Europe +49 9422 40331-0 Mexico +(52) 818262 4412 China +86.21.5774.9633

grote.com

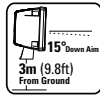
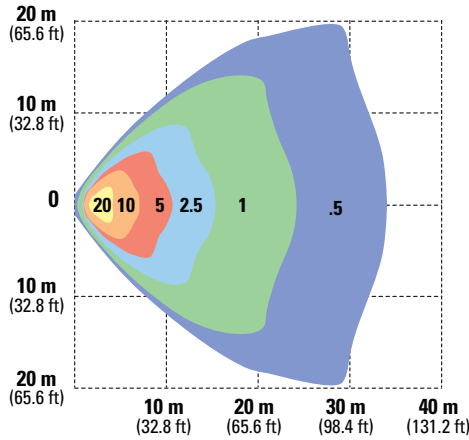


Trilliant[®] Cube LED WhiteLight[™] Work Lamp

Data Sheet

WORK LIGHTING

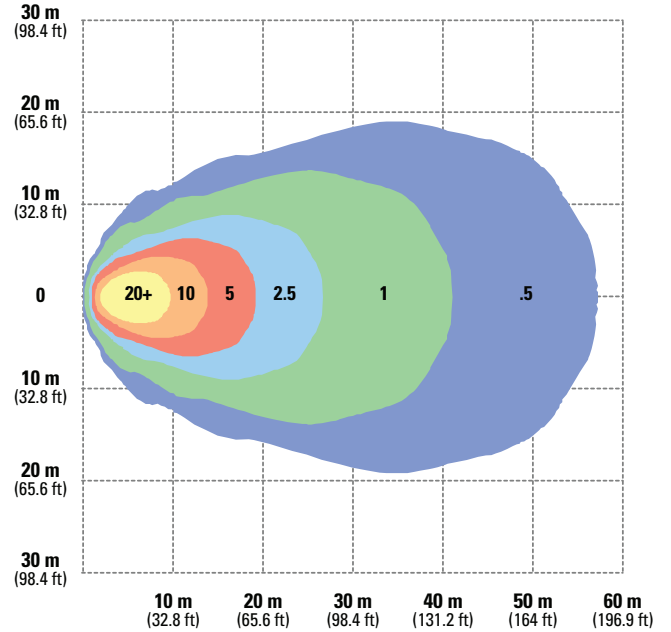
Trilliant[®] CUBE Wide Flood - IsoLux



Illuminance (Lux)



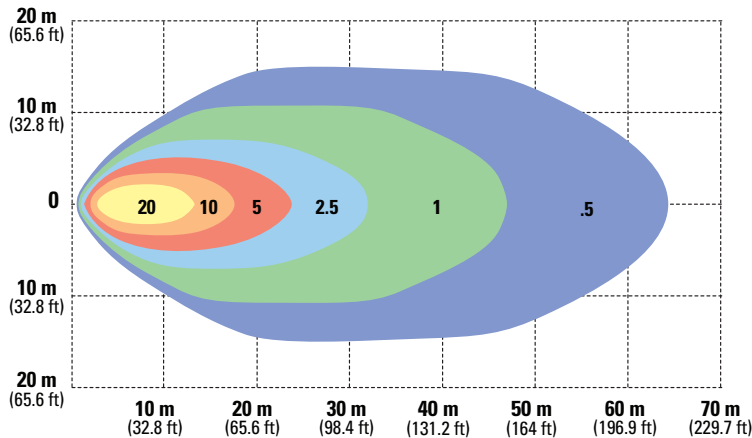
Trilliant[®] CUBE Near Flood - IsoLux



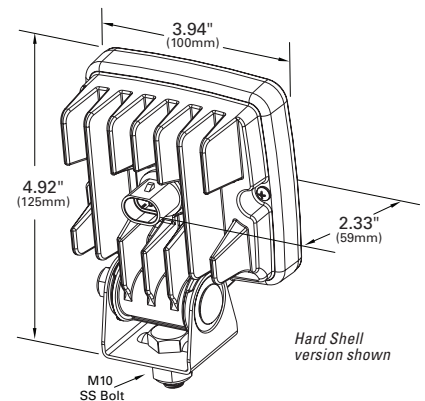
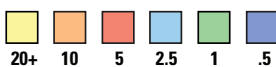
Illuminance (Lux)



Trilliant[®] CUBE Flood - IsoLux



Illuminance (Lux)



2600 Lanier Drive, Madison, Indiana U.S.A. 47250-0550

U.S. 800.628.0809 Canada 800.268.5612

Europe +49 9422 40331-0 Mexico +(52) 818262 4412 China +86.21.5774.9633

grote.com

