

Trilliant® 26 LED Work Lamp

1000 Lumens

WORK LIGHTING



Pendant (Near)



Pendant (Far)



Flush (Near)



Flush (Far)

PRODUCT SPECIFICATIONS

MATERIALS

Weight (Pinch mount including hardware): 0.879lb (398.5g)
 Connector Type: Mates with DT06-2S
 Ambient Operating Temperature (without thermal pullback): -40F to 122F (-40C to 50C)
 Ambient Storage Temperature: -67F to 230F (-55C to 110C)
 Housing Material: Die Cast Aluminum, Black Powder Coated Finish
 Lens Material: UV resistant, Hard Coated Polycarbonate
 Heat Management: Radial Fin Array, Aluminum Fins
 Mounting Options: Pedestal bracket with M10 bolt
 Flush Mount - Mounting clips are provided.
 Recommended screw EJOT DELTA PT 40 (length to be determined by the customer)

ELECTRONIC CHARACTERISTICS

Input Voltage: 12V, 24V
 Power Draw: 20W
 Electrical Protection: , overvoltage, undervoltage, and polarity

OPTICS

Correlated Color Temperature (CCT): 5700K

RATINGS AND COMPLIANCES

Impact: EN 60068
 Ingress Protection: IP69K; IPX7
 R10
 CISPR Class 5

LUMENS

1460 r | 1360 i | 1000 e

Raw | Instant-On | Effective

MADE IN GERMANY

The new standard for Trilliant® performance in a small, mount-anywhere work lamp

- Rugged mechanical design ensures consistent performance and long life in tough environmental conditions.
- Small size combined with tough construction allows mounting in places where larger or less rugged lamps cannot fit or survive.
- Advanced circuit design provides electronically quiet operation; protects against EMI without interfering with other electronic devices.
- Clean, white light designed to represent true colors, just like day light.

PART #	PATTERN	MOUNT	LUMENS	VOLTAGE
64F41	FAR FLOOD	FLUSH	1000	12
64F51	NEAR FLOOD	FLUSH	1000	12
64F61	FAR FLOOD	FLUSH	1000	24
64F71	NEAR FLOOD	FLUSH	1000	24

PART #	PATTERN	MOUNT	LUMENS	VOLTAGE
64G41	FAR FLOOD	PENDANT	1000	12
64G51	NEAR FLOOD	PENDANT	1000	12
64G61	FAR FLOOD	PENDANT	1000	24
64G71	NEAR FLOOD	PENDANT	1000	24

2600 Lanier Drive, Madison, Indiana U.S.A. 47250-0550

U.S. **800.628.0809** Canada **800.268.5612**

Europe **+49 9422 40331-0** Mexico **+(52) 818262 4412** China **+86.21.5774.9633**

grote.com

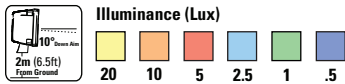
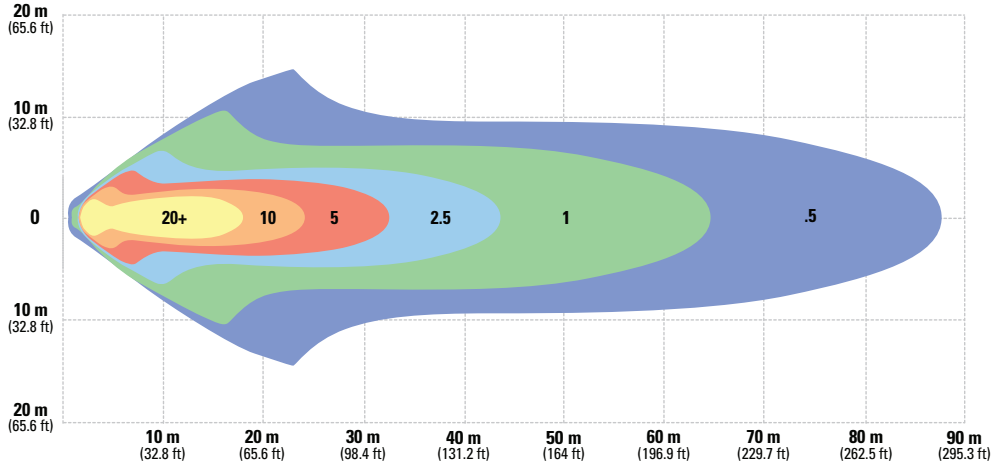


Trilliant[®] 26 LED Work Lamp

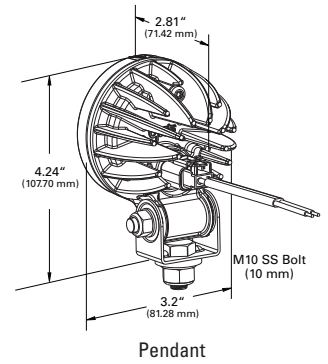
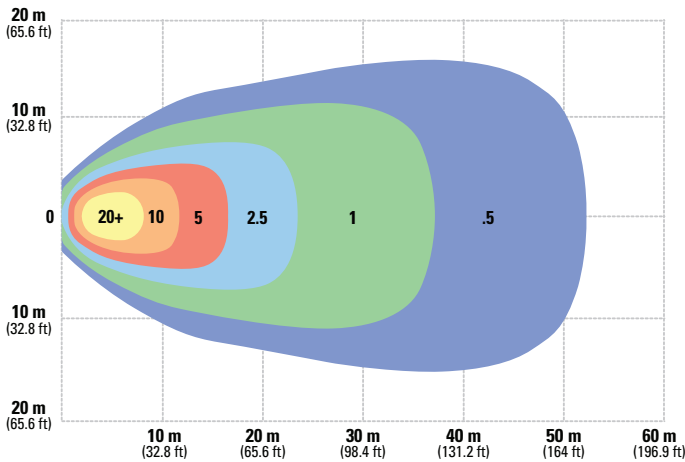
1000 Lumens

WORK LIGHTING

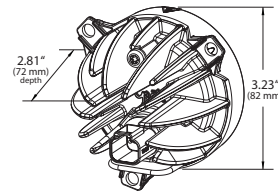
1000 Lumen Far Pattern



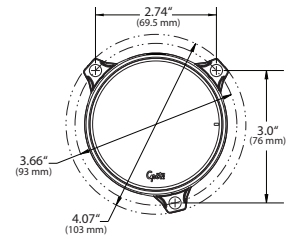
1000 Lumen Near Pattern



Pendant



Flush (back)



Flush (front)

2600 Lanier Drive, Madison, Indiana U.S.A. 47250-0550

U.S. 800.628.0809 Canada 800.268.5612

Europe +49 9422 40331-0 Mexico +(52) 818262 4412 China +86.21.5774.9633

grote.com

