

Trilliant[®] Oval 2000 and 3000

Data sheet

WORK LIGHTING



Oval Work Lights: Established Technology in an Oval Design at an Attractive Price

- Robust materials enhance endurance in tough environmental conditions
- Sealed lamp resists particle and water intrusion which meets IP69K
- Innovative thermal management for long product lifetime
- Protected against automotive transients
- True multivoltage operating range (9-32V)
- Premium level EMC behavior (CISPR 25 class 5) - won't interfere with radio signals
- Complies with ISO 14982 and EN 13309 for operation in agricultural- and construction-site machinery

PRODUCT SPECIFICATIONS

OPTICAL CHARACTERISTICS

Color temperature (CCT)	5700K
Color rendering index (CRI)	70
Efficacy	64lm/W

ELECTRICAL CHARACTERISTICS

Operating voltage range	9-32V
Input current	2.6A (14V) and 1.3A (28V)
Inrush current	Nominal input current is not exceeded
Power consumption	37W
Input connector	Deutsch DT
Operating temperature range	-40° C to +50° C / -40°F to 122°F
Reverse polarity protection	✓
Overheat protection	✓
ESD, overvoltage and transient protection	✓

MECHANICAL CHARACTERISTICS

Dimensions	97x150x69 mm (HxWxD)
Weight	700 g
Materials	Lens: Scratch and UV resistant hard coated polycarbonate Housing: Aluminium powder-coated
IP Code	IP69K
Mounting	Pendant and pedestal (Screw M10)
Maximum storage temperature	-55° C to +110° C / -67°F to 230°F
Impact and shock resistance	50 G
Vibration resistance	5 G (5-500 Hz)

APPROVALS AND CERTIFICATES

ECE	R10
CE	✓
ISO 14982	✓
EN 13309	✓
ISO 7637-2 / ISO 16750-2	✓
ISO 10605	✓
ISO 11452	Section 2 and 4
CISPR 25	Class 5
ISO 16750	Section 3-5
EN 60068	✓
ISO 20653	✓

Part Number	Light Pattern	Effective Lumens	Connector
64W01	Long Range	2000	Deutsch DT
64W11	Close Range	2000	Deutsch DT
64W21	Long Range	3000	Deutsch DT
64W31	Close Range	3000	Deutsch DT
64W41	Long Range	2000	Hard Shell Superseal
64W51	Close Range	2000	Hard Shell Superseal
64W81	Long Range	3000	Hard Shell Superseal
64W91	Close Range	3000	Hard Shell Superseal

2600 Lanier Drive, Madison, Indiana U.S.A. 47250-0550

U.S. **800.628.0809** Canada **800.268.5612**

Europe **+49 9422 40331-0** Mexico **+(52) 818262 4412** China **+86.21.5774.9633**

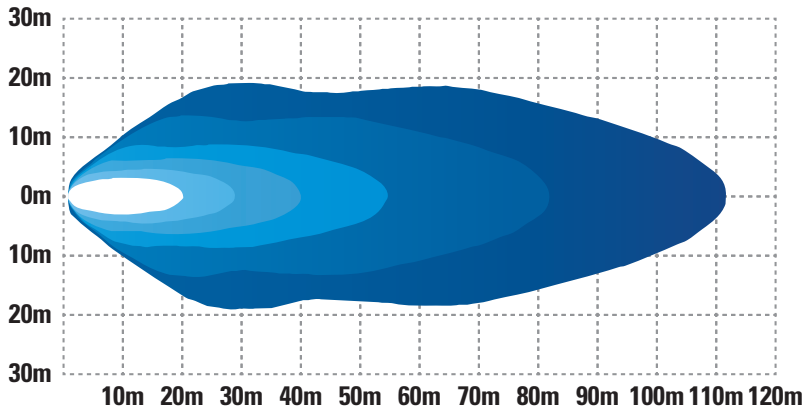
grote.com

Trilliant[®] Oval 2000 and 3000

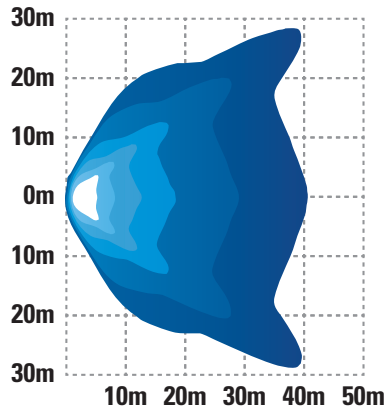
Data sheet

WORK LIGHTING

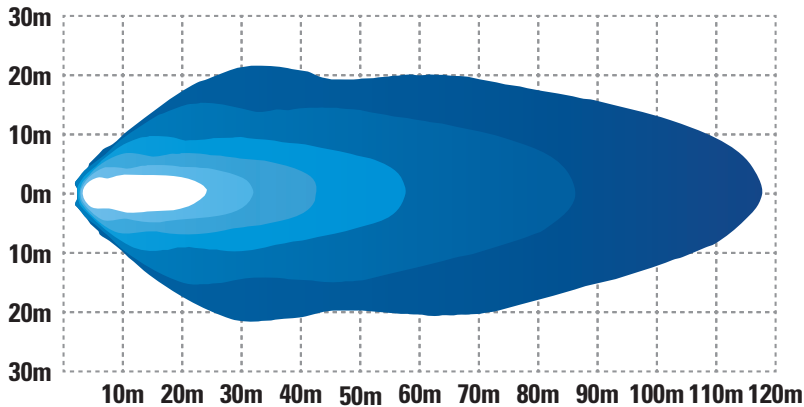
Long Range - IsoLux (64W01/64W41)



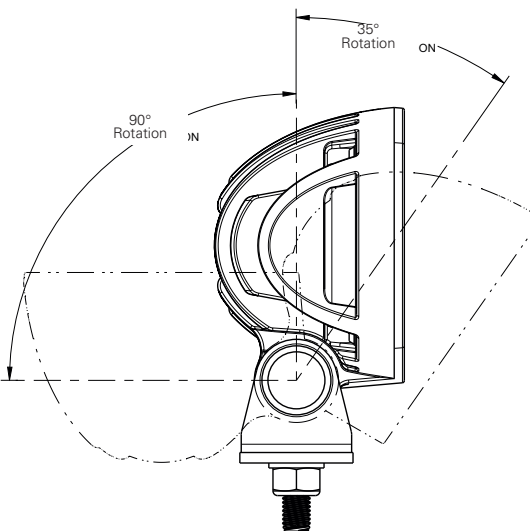
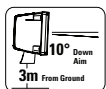
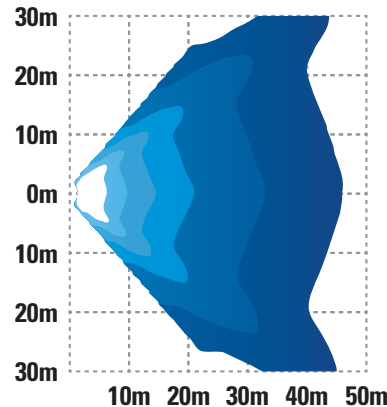
Close Range - IsoLux (64W11/64W51)



Long Range - IsoLux (64W21/64W81)



Close Range - IsoLux (64W31/64W91)



2600 Lanier Drive, Madison, Indiana U.S.A. 47250-0550

U.S. 800.628.0809 Canada 800.268.5612

Europe +49 9422 40331-0 Mexico +(52) 818262 4412 China +86.21.5774.9633

grote.com

