

# AUXILIARY STROBE & STOP LAMP



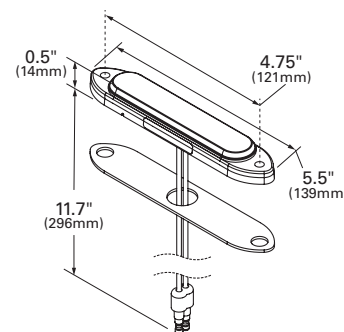
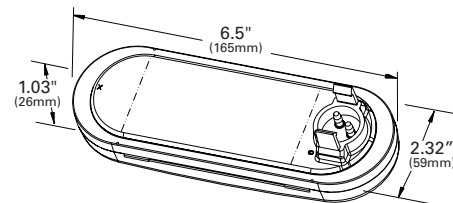
DATA SHEET

WARNING AND HAZARD LIGHTING



6" Oval

Compact



5 AMBER FLASHES  
IN 4 SECONDS

SOLID RED BURN  
AFTER 4 SECONDS



Give following motorists greater warning of braking and increase your visibility with our new strobing warning light. Take safety to the next level with Grote's new Auxiliary Strobe & Stop Lamp.

- Available in 2 mounting styles to fit a wide array of vehicles
- Several wiring options to fit all harness systems
- 5 amber flashes in 4 seconds, followed by a solid red burn
- Studies show that flashing brake lights can reduce rear-end accidents by more than a third

## PRODUCT SPECIFICATIONS

### MATERIALS:

Housing Material:  
78462(-3): Black Powder Coated Cast Aluminum  
79212(-3): ABS  
Lens Material:  
78462(-3): UV Stable Clear Polycarbonate  
79212(-3): Acrylic

### ELECTRONIC CHARACTERISTICS:

Connector Type:  
78462(-3): Grote Standard .180 Male Bullets  
79212(-3): Male Pin  
Input Voltage: 12V

### RATINGS AND COMPLIANCES:

SAE J595 Class II For Amber Warning  
SAE J186a Sep 1977 for Supplemental High Mounted Stop & Rear Turn Signal  
SAE J1889 Jul 2019 for LED Signal and Marking Light

PART NUMBER	DESCRIPTION	MOUNTING	VOLTAGE	PEAK AMPERAGE
78462	COMPACT AUXILIARY STROBE & STOP LAMP	SURFACE MOUNT	12V	0.4A
78462-3	COMPACT AUXILIARY STROBE & STOP LAMP BULK PACK	SURFACE MOUNT	12V	0.4A
79212	6" OVAL AUXILIARY STROBE & STOP LAMP	BRACKET OR GROMMET	12V	0.6A
79212-3	6" OVAL AUXILIARY STROBE & STOP LAMP BULK PACK	BRACKET OR GROMMET	12V	0.6A

FOR MORE  
INFORMATION  
VISIT [GROTE.COM](http://GROTE.COM)

Grote Industries, Inc. 2600 Lanier Drive, Madison, Indiana U.S.A. 47250-0550  
U.S. 800.628.0809 | Europe +49 9422 40331-0 | China +86.21.5774.9633  
Canada 800.268.5612 | Mexico +(52) 818262 4412

