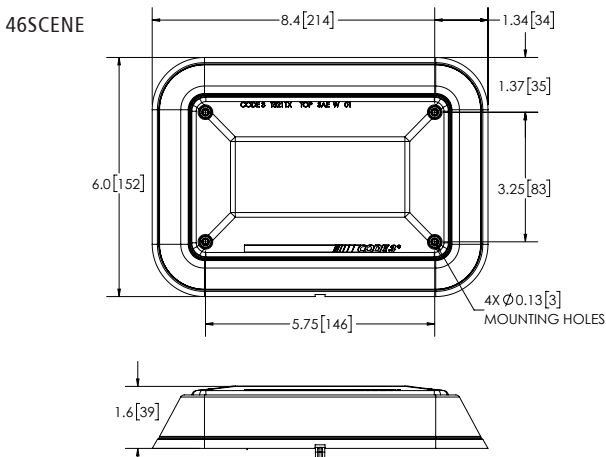
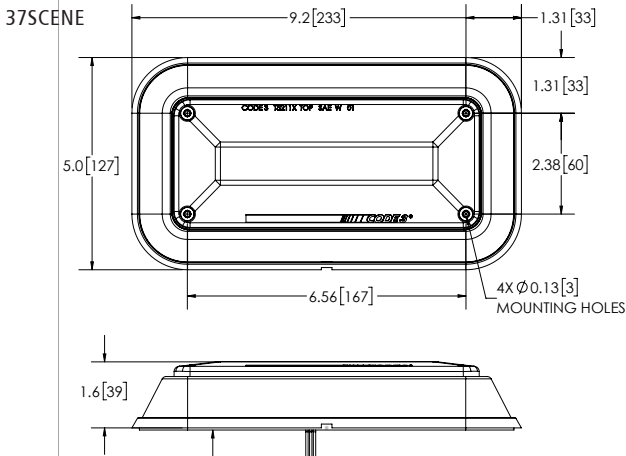


LED SCENE LIGHTS

"INSTANT ON" LED SCENE LIGHTS



LED Scene Lights deliver focused and even perimeter lighting without using angled bezels. They are designed to operate immediately without requiring warm-up time. Available in three sizes, features include a beam down-angle of 8° to 32° to provide ample lighting around the vehicle or apparatus. The surface mount devices accommodate standard industry dimensions and are easy to install and dimensions. A chrome bezel is included with unit.



VOLTS	12-24V
DIMS	5" H x 9.2" W x 1.6" D 127mm H x 233mm W x 41mm D (37) (with bezel) 6" H x 8.4" W x 1.7" D 152mm H x 214mm W x 42mm D (46) (with bezel) 9.1" H x 11.1" W x 1.8" D 231mm H x 282mm W x 45mm D (79) (with bezel)

CERTS NFPA, KKK-A 1822F, R10

- DETAILS
- Surface mount
 - Standard industry mounting, and dimensions
 - Light angles down 8° to 32° from horizontal position
 - LED technology provides better scene lighting with far less ampere than halogen
 - "Instant-On" feature does not require warm-up time
 - Easy to install and low maintenance

MODEL	AMPS	LUMENS (RAW)	LENS	ILLUMINATION COLOR
37SCENE	2.4	1,600	C	W
46SCENE	2.9	1,850	C	W
79SCENE	4.7	3,010	C	W

