

GROTE LED COMBINATION HEAD LAMPS



DATA SHEET

FORWARD LIGHTING



84621-5



84611-5



Blunt-Cut Adapter
(included)
68710

From off-road to on-highway, Grote's versatile LED Combination Head Lamps bring durability and high visibility to any heavy-duty application. Whether moving your harvester between fields or mounted as auxiliary lighting on your wheel loader, these rugged lamps will get you where you need to go.

- Die-cast aluminum housing and heavy-duty lens are designed to withstand the harshest conditions
- Ideal auxiliary driving lights for municipal, agricultural, mining, and construction use
- Built to resist hours of continuous 6G vibration
- Versatile, multi-volt design is perfect for a wide variety of applications
- Features low amp draw and reverse voltage protection
- 2-year warranty makes this affordable lighting solution an even better investment
- Includes integrated 6-pin DT connector with blunt-cut adapter
- Regulations/Standards: FMVSS 571.108; DOT; SAE UB3; LB: SAE LB3V, SAE J577, IP67

PRODUCT SPECIFICATIONS

MATERIALS:

Housing Material: Die-Cast Aluminum
Lens Material: Polycarbonate

ELECTRONIC CHARACTERISTICS:

Connector Type: 6-pin DT
Input Voltage: 12V-36V
Power Draw: 3.83A at 12V; 1.27A at 36V
Low Beam: 14W High Beam: 32W

OPTICS:

Projector Beam

RATINGS AND COMPLIANCES:

FMVSS 108 / HB: SAE UB3; LB: SAE LB3V
Ingress Protection: IP67

PART NUMBER	DESCRIPTION	VOLTAGE
84611-5	LEFT / DRIVER SIDE	12V-36V
84621-5	RIGHT / PASSENGER SIDE	12V-36V
84651-4	PAIR PACK - RIGHT AND LEFT LAMPS	12V-36V

FOR MORE
INFORMATION
VISIT GROTE.COM

Grote Industries, Inc. 2600 Lanier Drive, Madison, Indiana U.S.A. 47250-0550
U.S. 800.628.0809 | Europe +49 9422 40331-0 | China +86.21.5774.9633
Canada 800.268.5612 | Mexico +(52) 818262 4412



GROTE LED COMBINATION HEAD LAMPS



DATA SHEET

FORWARD LIGHTING

LOW BEAM

525 + FT | 160 + M

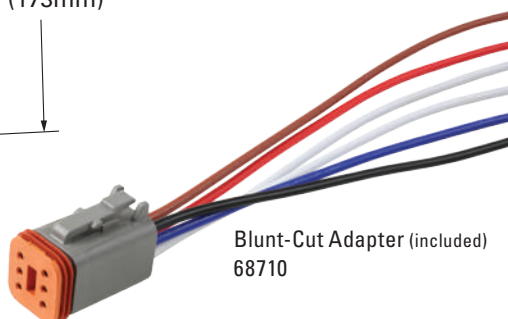
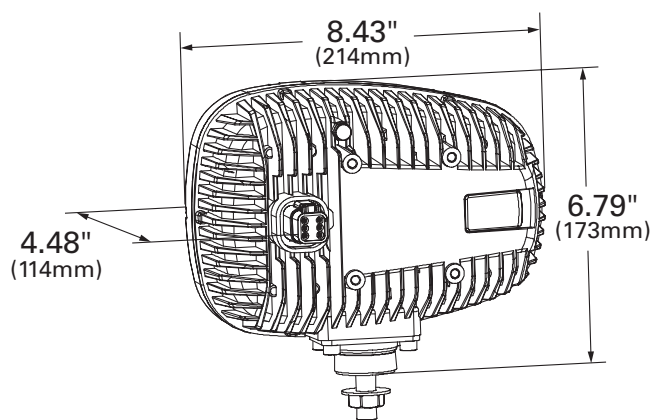
80 + FT
25+ M



HIGH BEAM

730 + FT | 225 + M

145 + FT
45 + M



LOW BEAM (BROWN)
HIGH BEAM (RED)
(2) GROUND LINES (WHITE)
POSITION LIGHT (BLUE)
TURN LIGHT (BLACK)

FOR MORE
INFORMATION
VISIT GROTE.COM

Grote Industries, Inc. 2600 Lanier Drive, Madison, Indiana U.S.A. 47250-0550
U.S. 800.628.0809 | Europe +49 9422 40331-0 | China +86.21.5774.9633
Canada 800.268.5612 | Mexico +(52) 818262 4412

