

# Grote 4x6 Sealed Beam Replacement LED Headlamps

Data Sheet

FORWARD LIGHTING



94401-5 High/Low Beam



94411-5 High Beam

2 Pin H4 Connector  
94411-5 High Beam



3 Pin H4 Connector  
94401-5 High/Low Beam  
94421-5 Low Beam



Adapter Block  
for 94401-5



94421-5 Low Beam

## PRODUCT SPECIFICATIONS

### MATERIALS:

Weight: 94411-5 and 94421-5; 1.7 lbs (765.7 g)  
94401-5; 1.5 lbs (680.4 g)

Housing Material: Die Cast Aluminum, Black Powder Coated Finish

Lens Material: Polycarbonate, Hard Coated UV Resistant Finish

### ELECTRONIC CHARACTERISTICS:

Connector Type: Automotive H4

Input Voltage: 9V-30V

Power Draw: 94421-5; 15-20W, 94411-5; 20-25W, 94401-5; 18-23W

### OPTICS:

Light Output: 94421-5; 630 Effective Lumens, 94411-5; 900 Effective Lumens, 94401-5; Effective Lumens 910 Low Beam, 1150 High Beam

Optical Package: Metalized Reflector, Clear Lens

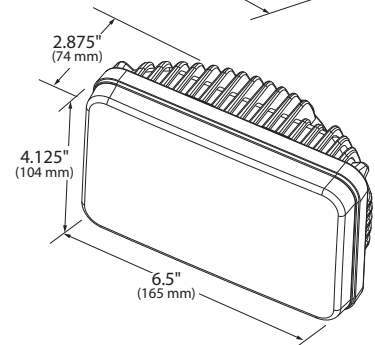
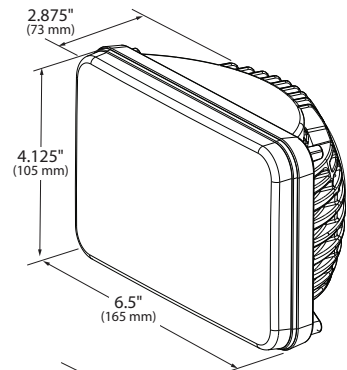
### RATINGS AND COMPLIANCES:

FMVSS108 Head Lamps: 94411-5; 1A1, 94421-5; 2A1, 94401-5; 2E1

Ingress Protection: IP67

Use Grote LED headlamps to replace and upgrade halogen and/or HID lamps

- DOT compliant and legal for all 4"x6" (100x165mm) systems.
- LED headlamps appear brighter to the human eye than equivalent halogen or HID light sources and are closer to natural sunlight. This provides a great ability to detect road hazards and avoid collisions.
- Visual fatigue is reduced by allowing a clearer view in all driving conditions and decreasing chances for accidents.
- Headlight uses a hard coated, UV protected, high impact resistant Lens that resists cracking and yellowing.
- Used on 12V and 24V electrical systems
- 94411-5 and 94421-5 include adapter 68630 for non-standard wiring applications; 94401-5 includes an adapter block for 2E1 style harnesses



PART NUMBER	DESCRIPTION	VOLTAGE	AMPERAGE	INTERCHANGE
94421-5	LOW BEAM	12V/24V	1.39A @ 13.5 V; 0.61A @ 28 V	4652, H4652, H4656, H4662, H4739, H5062
94411-5	HIGH BEAM	12V/24V	1.68A @ 13.5 V; 0.74A @ 28 V	4651, H4651, H5051
94401-5	HIGH/LOW BEAM	12V/24V	HIGH 1.63A @ 13.5V; 0.79A @ 28V LOW 1.35A @ 13.5V; 0.65A @ 28V	H6545, H4666, HP6545, H4668

2600 Lanier Drive, Madison, Indiana U.S.A. 47250-0550

U.S. **800.628.0809** Canada **800.268.5612**

Europe **+49 9422 40331-0** Mexico **+(52) 818262 4412** China **+86.21.5774.9633**

[grote.com](http://grote.com)

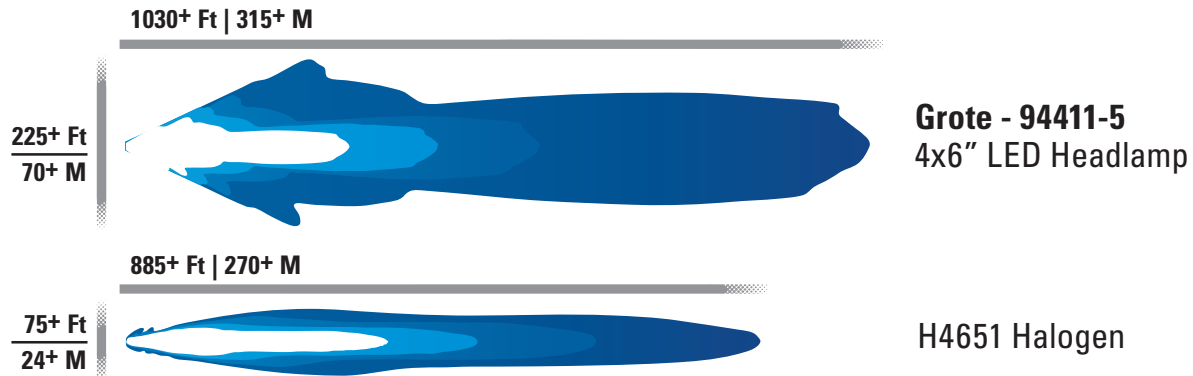


# Grote 4x6 Sealed Beam Replacement LED Headlamps

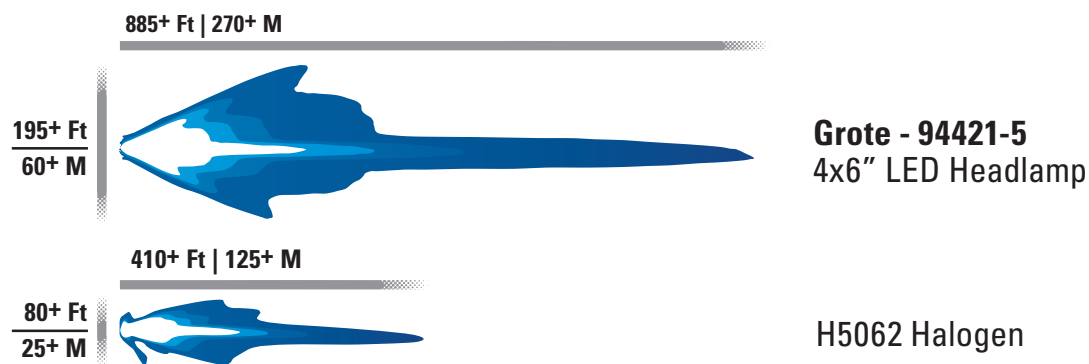
Data Sheet

FORWARD LIGHTING

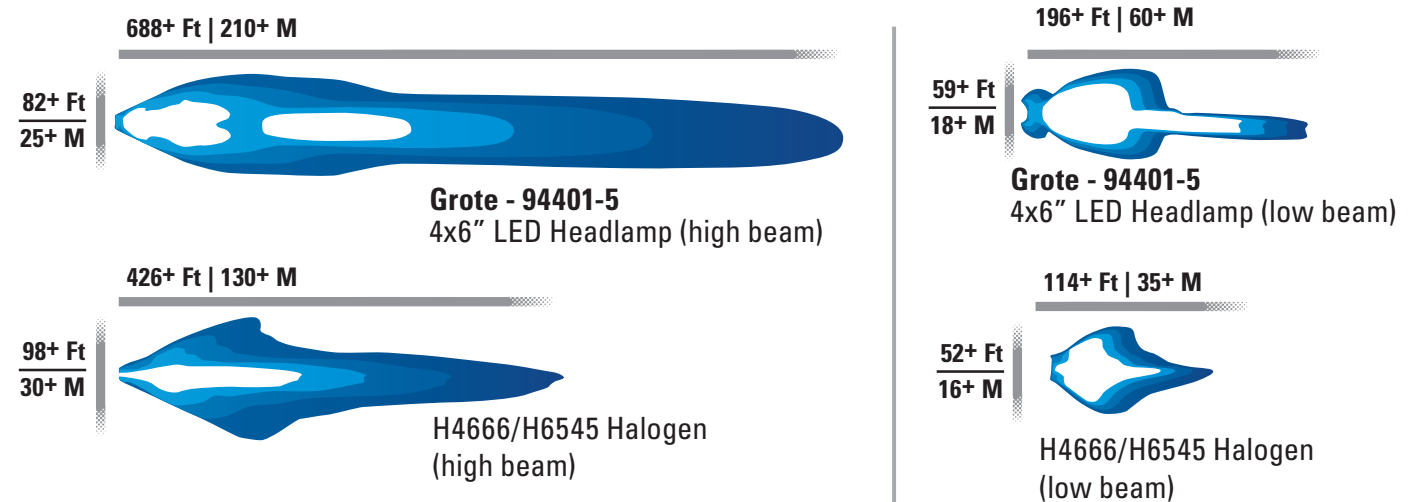
## HIGH BEAM COMPARISON



## LOW BEAM COMPARISON



## HIGH/LOW BEAM COMPARISON



2600 Lanier Drive, Madison, Indiana U.S.A. 47250-0550

U.S. 800.628.0809 Canada 800.268.5612

Europe +49 9422 40331-0 Mexico +(52) 818262 4412 China +86.21.5774.9633

[grote.com](http://grote.com)

