

**WARNING & HAZARD**

# LED TRAFFIC DIRECTORS

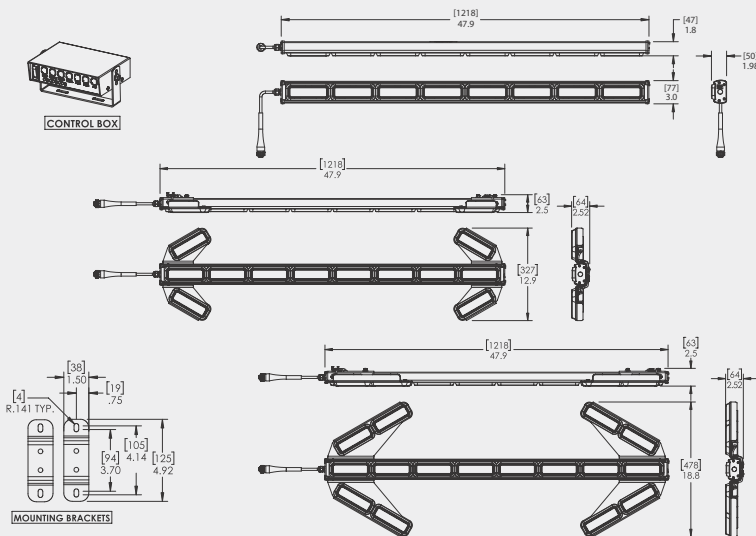
## Directors, Arrows

►► NOW AVAILABLE!

**FEATURES & BENEFITS**

- Made from durable extruded aluminum — Traffic Directors will not warp or bend
- Micro-processor control unit offers four modes with distinctive flash options
- Front load for easy replacement of individual heads
- Modes: left arrow, right arrow, center out, and warn (alternating)
- Ships complete with back lit control unit, attached quick-disconnect wire harness (15' standard), L-brackets, hardware, and instructions
- 5 year warranty

<b>78200</b>	<b>78210</b>	<b>78270</b>
<b>Voltage:</b> 12 VDC	<b>Voltage:</b> 12 VDC	<b>Voltage:</b> 12 VDC
<b>Amp Draw:</b> 2.4 amps @ 12 VDC	<b>Amp Draw:</b> 3.6 amps @ 12 VDC	<b>Amp Draw:</b> 4.8 amps @ 12 VDC



PART #	DESCRIPTION
<b>78200</b>	LED Traffic Director
<b>78210</b>	Small LED Traffic Director with Arrow
<b>78270</b>	Large LED Traffic Director with Dual Lamp Arrow
<b>SERVICE PARTS</b>	
<b>98333</b>	Replacement Module for Traffic Director (78200, 78210, 78270)
<b>66650</b>	10' Extension Cable
<b>66660</b>	20' Extension Cable
<b>66670</b>	40' Extension Cable
<b>98522</b>	Control Box

**FOR MORE INFORMATION VISIT  
OUR WEBSITE AT GROTE.COM**  
**GROTE'S GOT IT!**



230 Travail Rd, Markham,  
Ontario, Canada L3S 3J1  
Tel: 800.268.5612  
US: 800.628.0809  
www.grote.com