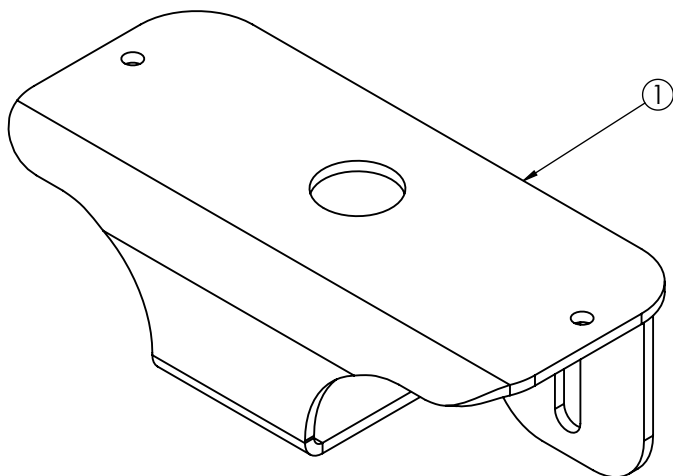


REVISION HISTORY		
REV.	DESCRIPTION	DATE
02	CORRECTED BOM AND UPDATED LOGO PER P3# 06066	2009-05-14
A	INITIAL RELEASE PER P3# 06066	2009-05-19
B	REVISE PER EC3345	2012-06-12



ITEM NO.	QTY.	DESCRIPTION	COMMENTS
1	1	BRACKET, MOUNTING, DECK, 3730	
2	1	SHEET, INSTRUCTION, 3730, MOUNTING BRACKETS	NOT SHOWN
3	1	BAG, POLY, 5" X 7"	NOT SHOWN

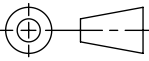
APPROVALS	DATE
DRAWN BY BND	2012-05-25
CHECKED JDT	2012-05-29
MECH. ENG. NMT	2012-06-04
ELEC. ENG.	
MFG. ENG. SKS	2012-05-29



Group Headquarters &
North American Division
1-800-635-5900
European Division
+44 (0) 113 237 5340
Pacific Asia Division
+61 (0) 363 322400
www.eccogroup.com

ACCESSORY, BRACKET, DECK MOUNT

SCALE 1:1
CAD GENERATED DRAWING
DO NOT MANUALLY UPDATE.
MODEL REFERENCED: B



SIZE: A	DWG. NO. A3730DCK	REV. B
SHEET 1 OF 1		Project: 06066
		Date Created: 2009-05-13

NON DISCLOSURE AGREEMENT
THIS DRAWING AND THE DESIGN IT DISCLOSES ARE THE PRIVATE PROPERTY OF ECCO AND IS ISSUED IN CONFIDENCE FOR ENGINEERING INFORMATION ONLY. THE DRAWING AND / OR DESIGN MAY NOT BE USED, COPIED, REPRODUCED, OR OTHERWISE DISCLOSED IN PART OR AS A WHOLE TO OUTSIDERS OR USED FOR ANY OTHER PURPOSE WITHOUT THE PRIOR WRITTEN CONSENT OF ECCO. THE DRAWING IS SUBJECT TO RECALL AT ANY TIME. YOUR POSSESSION OF THIS DOCUMENT CONSTITUTES ACCEPTANCE OF THESE TERMS. © 2009 ECCO

Electronically Controlled Use Latest Copy