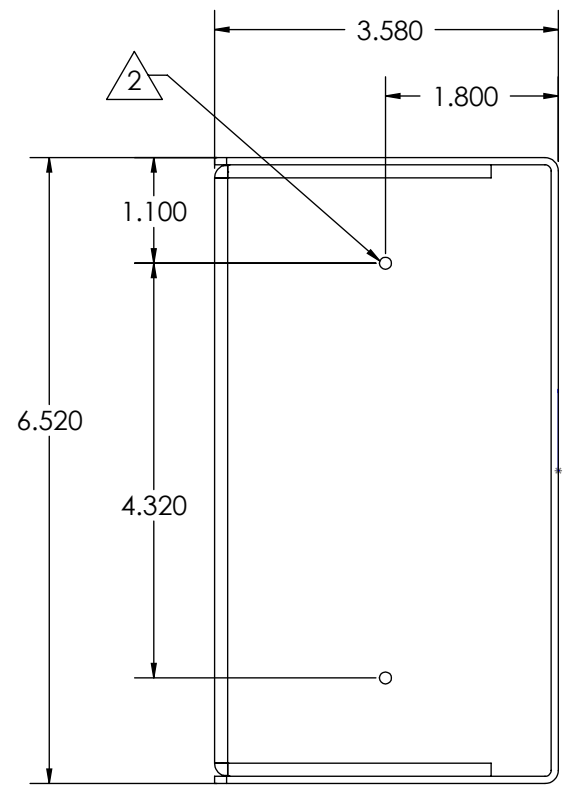
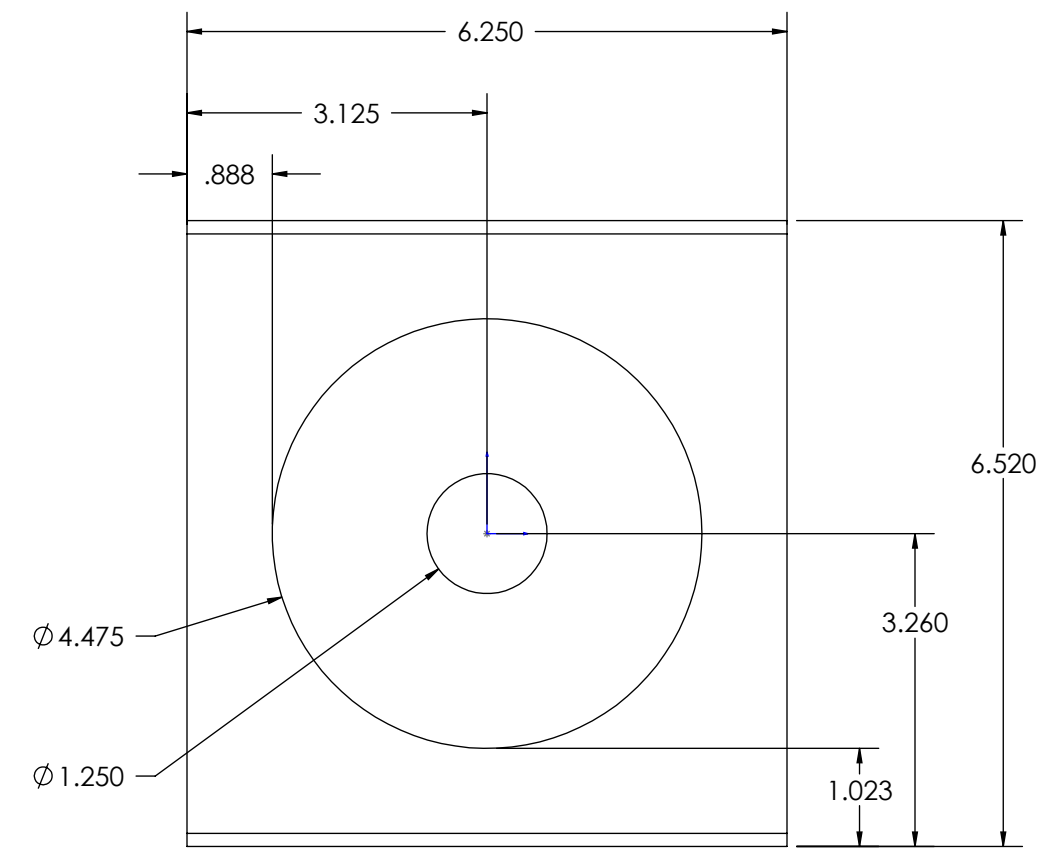


REVISION HISTORY		
REV.	DESCRIPTION	DATE
C	INITIAL RELEASE OF REDESIGN	5-8-96
D	CHANGED TOLERANCES	1-8-97
E	MODELED IN SW, AS BUILT, PER CR# 1291	2003-01-08

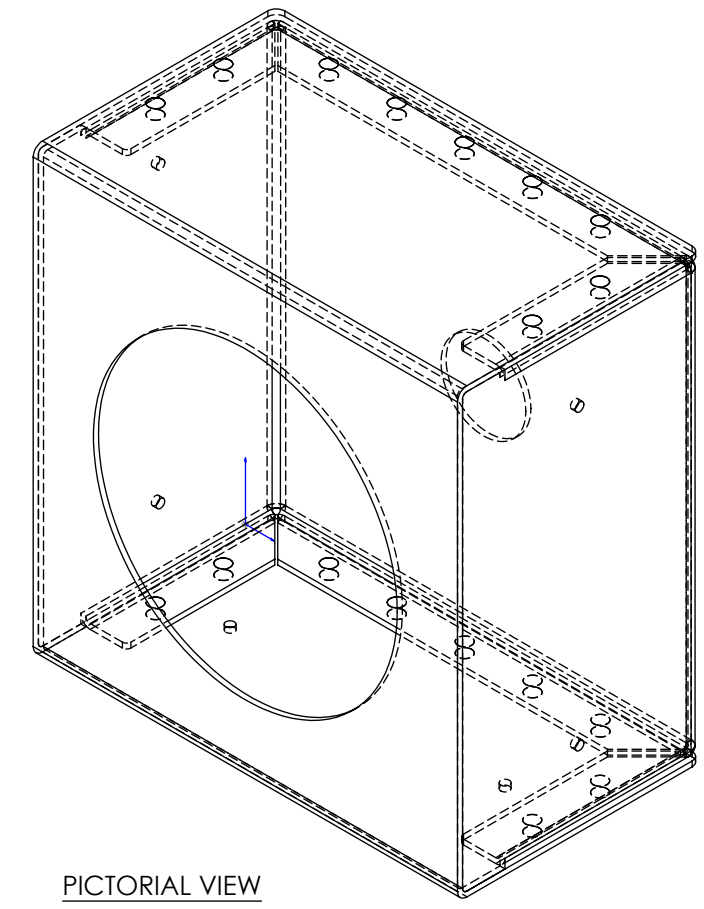
- NOTES:
1. MAKE DRAIN HOLES SYMMETRICAL.
 2. DRAIN HOLES LOCATED ON LEFT, RIGHT AND BOTTOM SIDES ONLY.
 3. TOLERANCES ARE +/- 0.010 UNLESS OTHERWISE NOTED IN DRAWING OR MODEL.
 4. DIMENSIONS IN INCHES.



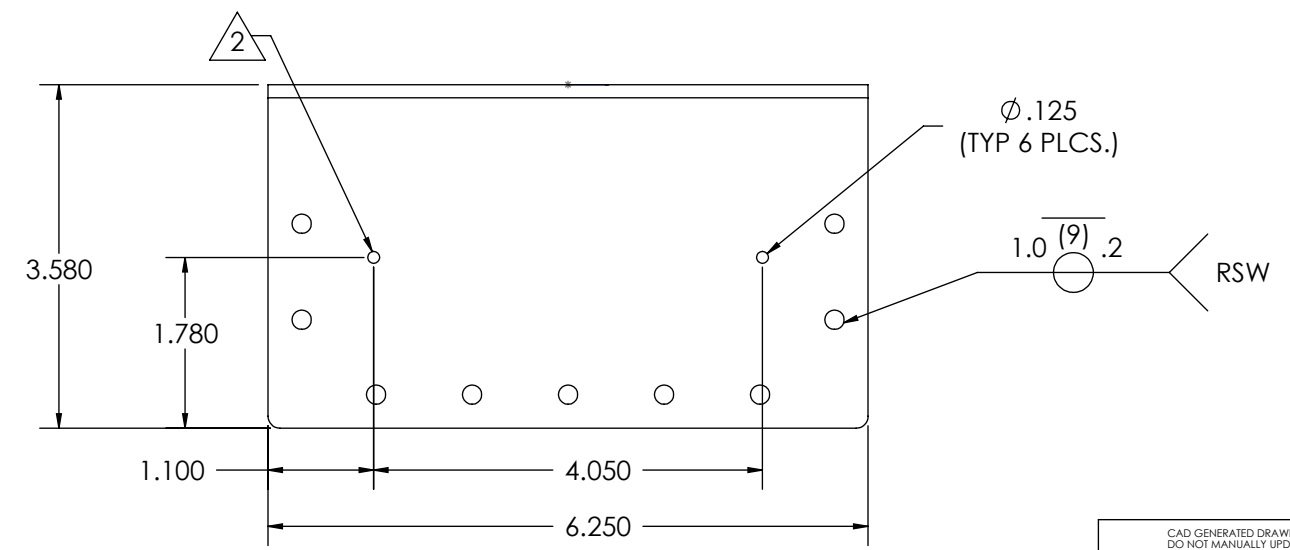
LEFT VIEW



FRONT VIEW



PICTORIAL VIEW



BOTTOM VIEW

STEEL, 14GA. (0.0747)		POWDER COAT BLACK	
MATERIAL		COLOR	
STEEL, 14GA. (0.0747)		MASS (LBS)	PART VOLUME (IN ³)
		3.41	12.06
ECCO Electronic Controls Co. An Employee Owned Company 800-635-5900 P.O. BOX 7246, BOISE, ID 83707			
MOUNTING MODULE, ROUND REMOTE HEAD			
Project: CR-1291		Date Created: 4-1-96	
SIZE	DWG. NO.	REV.	
B	A9894	E	
SCALE 1:2		PREPARED PER ASME 14.100M-1998 / ASME Y14.1-1995	
		SHEET 1 OF 1	

CAD GENERATED DRAWING DO NOT MANUALLY UPDATE. MODEL REFERENCED: F		
DESIGNER	ADM	DATE
CHECKED		
MECH. ENG.		
ELEC. ENG.		
MFG. ENG.		
MATERIALS		

NON DISCLOSURE AGREEMENT
 THIS DRAWING AND THE DESIGN IT DISCLOSES ARE THE PRIVATE PROPERTY OF ECCO AND IS ISSUED IN CONFIDENCE FOR ENGINEERING INFORMATION ONLY. THE DRAWING AND / OR DESIGN MAY NOT BE USED, COPIED, REPRODUCED, OR OTHERWISE DISCLOSED IN PART OR AS A WHOLE TO OUTSIDERS OR USED FOR ANY OTHER PURPOSE WITHOUT THE PRIOR WRITTEN CONSENT OF ECCO. THE DRAWING IS SUBJECT TO RECALL AT ANY TIME. YOUR POSSESSION OF THIS DOCUMENT CONSTITUTES ACCEPTANCE OF THESE TERMS. © 2002 ECCO

