



ALGT21D-AMBRP

## ▶ 21" Allegiant™ | Mini-Light Bar

### FEATURES

- Low-profile, linear light bar
- Traditional and serial versions available
- Two-color capability with LED colors in Amber, Blue, Green, Red, and White
- Domes offered in Amber, Clear, and Gray
- Flat, low-profile permanent, and 4-inch riser mounting options available
- SpectraLux® multicolor LED technology
- Solaris® LED reflector technology
- ROC (Reliable Onboard Circuitry™) reduces potential failure points
- (28) flash patterns
- Five-year warranty

### APPROVALS

- SAE J845, Class 1
- CCR Title 13
- IP65 Rated

#### Built for Versatility and Performance

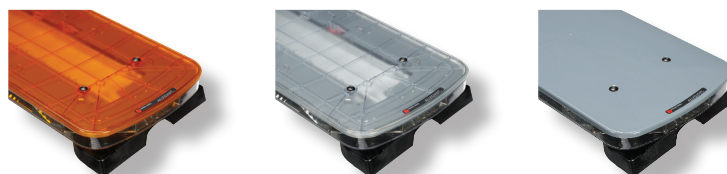
The Federal Signal 21" Allegiant™ is a low-profile dual-color mini-light bar solution that provides a superior warning signal to promote work zone safety. Meeting SAE Class 1 and CAC standards, the 21" Allegiant is ideal for a variety of applications including DOT, municipal, utility, construction and tow and recovery vehicles. This mini-light bar can be used as a primary warning device or as wing lights on large work truck applications including rotator tow and guzzler trucks.

#### Packed with Technology to Keep You Safe

Through the Federal Signal Solaris® LED reflector technology, the 21" Allegiant mini-light bar is engineered to significantly increase off-axis warning and maximize the LED light source to eliminate dark spots and increase visibility while on the road and in work zones. The patented ROC (Reliable Onboard Circuitry™) technology is built to minimize potential failure points in the light bar. Wires, connectors, and assemblies have been replaced by PCB assemblies—reducing labor repair time and increasing the road time for work trucks.

#### Features Made for the Job

The 21" Allegiant mini-light bar is available in-stock models or it can be configured specifically to fit your needs. It comes equipped with (28) high performing selectable flash patterns and low power mode. For added visibility in work zones, the 21" Allegiant offers optional takedowns and work lights features. Additionally, the 21" Allegiant light bar features the exclusive bed light option which shines a steady work light down from the light bar onto the bed of the truck for added operator visibility.



*Domes offered in Amber, Clear and Gray*



Choose one of the popular models below, customize your own light bar with our online configurator or contact a local Federal Signal representative or distributor.

**Specify model**

**Discrete Models**

- ALGT21D-AMBRP\* 21-inch, Amber, low-profile permanent mount, Clear domes
- ALGT21D-AMBRF\* 21-inch, Amber, flat mount, Clear domes
- ALGT21D-AMBR3BF\* 21-inch, Amber/White, work lights, bed lights, flat mount, Clear domes

**Serial Models**

- ALGT21Z-AMBR3BP6\* 21-inch, Amber/White, work lights,bed lights, low-profile permanent mount, Clear domes, 6-button controller

\*Stock model light bar

**Specifications**

Operating Voltage	12.8 VDC
Current Draw	7.0 A (50% Flash Rate)
Flash Pattern	28
Operating Temp	-40°F to 149°F (-40°C to 65°C)
LED Color Options	Amber, Blue, Green, Red, White
Dome Color Options	Amber, Clear, Gray

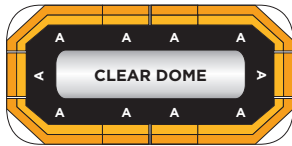
**Physical Specifications**

Length	20.7 in (52.6 cm)
Width	11.2 in (28.5 cm)
Height	1.8 in (4.6 cm)

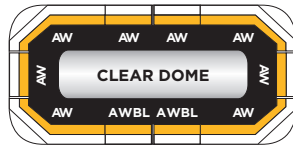
**Ship Weight**

15 lbs (7.0 kg)

**21" Allegiant Discrete**

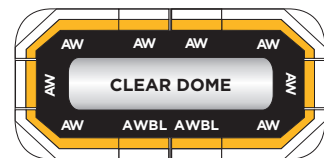


**ALGT21D-AMBRP\***  
21-inch, Amber, low-profile permanent mount, Clear domes



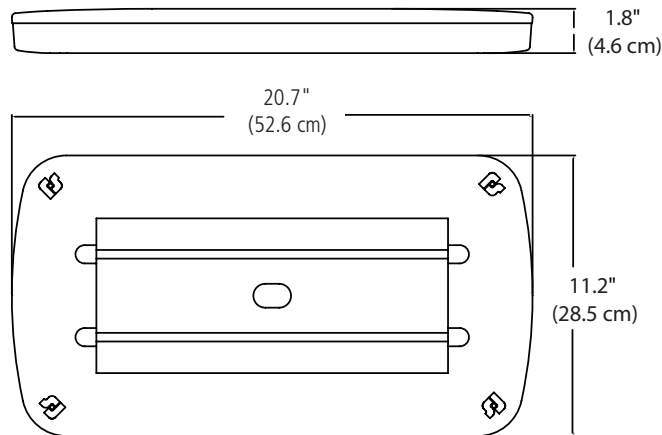
**ALGT21D-AMBR3BF\***  
21-inch, Amber/White, work lights, bed lights, flat mount, Clear domes

**21" Allegiant Serial**



**ALGT21Z-AMBR3BP6\***  
21-inch, Amber/White, work lights, bed lights, low-profile permanent mount, 6-button controller, Clear domes

**ALGT21D-AMBRF**  
21-inch, Amber, flat mount, Clear domes



Allegiant, Solaris, SpectraLux and ROC (Reliable Onboard Circuitry) are trademarks of Federal Signal Corporation.

©2020 Federal Signal Corporation. M1011 | 92020