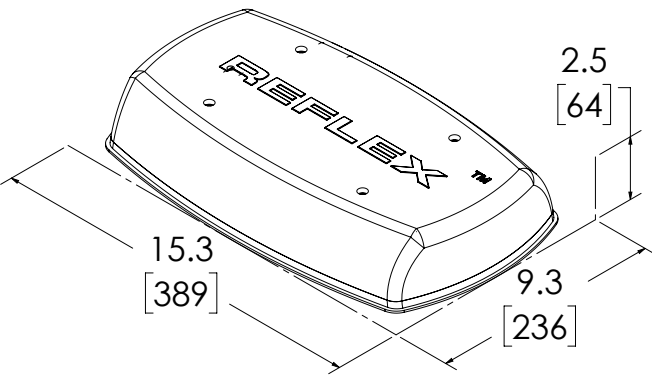


## C5590 SERIES REFLEX® 15" LED MINIBAR



C5590CRB

The Reflex® Series LED minibar features an innovative design that features advanced reflector and refractive optics to provide 360° of exceptional warning light. The refractive optics produce a highly intense, focused beam to the front and rear of the vehicle while the reflector lighthoods ensure a wide range of coverage by producing a dispersed, wide-angle beam to the sides and corners. Permanent-mount models include a sync capability.

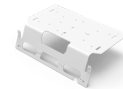


VOLTS   AMPS	12-24V   6.0A
DIMS	2.5" H X 15.3" L x 9.3" D   64mm H x 389mm L X 236mm D
FLASH PATTERNS	18
CERTS	CLASS I (SAE J845), CA T13, CE, R10, RCM, IP69K
DETAILS	<ul style="list-style-type: none"> <li>• Four center lighthood modules produce a highly intense, focused, and long distance beam to the front and rear of the vehicle</li> <li>• Refractive optic lighthoods</li> <li>• Cigarette plug with on/off and flash pattern selection switch (vacuum-magnet only)</li> <li>• Polycarbonate base and low-profile lens</li> <li>• Temperature Range: -22°F to +122°F (-30°C to +50°C)</li> </ul>
REPLACE	"_" with A = Amber, B = Blue, R = Red
ADD	Add "-VM" mounting extension to end of model for vacuum-magnet mount

MODEL	MOUNT	TYPE	LENS	ILLUMINATION COLORS
C5590AA	4 Bolt or VM	Single	A	A
C5590C_	4 Bolt or VM	Single	C	A, B, R
C5590CRB	4 Bolt or VM	Split	C	RB



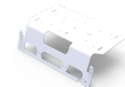
**EZ1000B-FH**  
3rd Brake Light Platform  
For F150, F250, F350 - Halogen, Black



**EZ1000W-FH**  
3rd Brake Light Platform  
For F150, F250, F350 - Halogen, White



**EZ1000B-FL**  
3rd Brake Light Platform  
For F150, F250, F350 - LED, Black



**EZ1000W-FL**  
3rd Brake Light Platform  
For F150, F250, F350 - LED, White



**CZ5500BKT**  
Mounting Bracket