

Patent Pending



# DIRECTIONAL LEDS

## ED3790 ULTRAFLEX™ SERIES

### Dual-Color Flexible LED Light

**SAE  
CLASS  
I**

**SAE  
CLASS  
II**

**CALIFORNIA  
TITLE 19**

**R65**

**R10**

**CE**

**IP67**

**IP69K**

ED3794 only, selective coverage      ED3794 only

ECCO's ED3790 UltraFlex™ Series is a flexible directional warning light that can be mounted on flat or curved surfaces up to 120° (ED3794) or 72° (ED3793) with self-adhesive, very high bond tape. Its dual-color LEDs provide exceptional output with combinations of amber, white, blue and red colors available in 3" and 4" lengths. The lighthead is protected in a clear, silicone housing that can flex while resisting yellowing and warping making it ideal for any work truck, snowplow, utility vehicle, or any other application. A two-bolt bezel is also included for easy installation on flat surfaces. Patent pending.

### Models

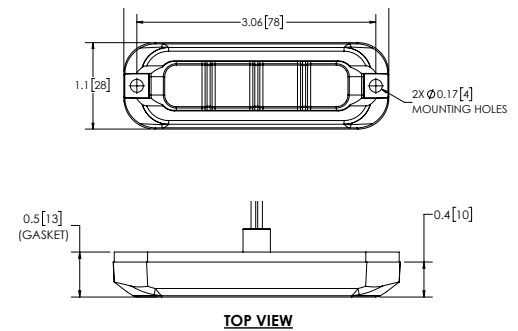
PART NO.	LED COLOR	AMPS
ED3793XX		0.4
ED3794XX		0.8

Replace "X" in part number with desired color: A = amber, B = blue, R = red, W = white

### Design Features

- 12-24 VDC
- 69 flash patterns including steady burn
- Flexible housing adapts to curved surfaces up to 120° (product cannot be bent in forward position)
- Silicone lens with Dow Corning material, prevents yellowing or aging
- Included bezel for two-bolt mount on flat surfaces or VHB tape mount
- Sync-capable
- Temperature range: -22°F to 122°F (-30°C to 50°C)

### ED3793 w/ Bezel



### ED3794 w/ Bezel

