



# Installation and Operation Instructions

## ED5051VDL Series Deck, Dash & Visor Light


FOR INTERIOR USE ONLY

**IMPORTANT!** Read all instructions before installing and using. Installer: This manual must be delivered to the end user.



**WARNING!**

Failure to install or use this product according to manufacturer's recommendations may result in property damage, serious injury, and/or death to those you are seeking to protect!

 **Do not install and/or operate this safety product unless you have read and understood the safety information contained in this manual.**

1. Proper installation combined with operator training in the use, care, and maintenance of emergency warning devices are essential to ensure the safety of emergency personnel and the public.
2. Emergency warning devices often require high electrical voltages and/or currents. Exercise caution when working with live electrical connections.
3. This product must be properly grounded. Inadequate grounding and/or shorting of electrical connections can cause high current arcing, which can cause personal injury and/or severe vehicle damage, including fire.
4. Proper placement and installation is vital to the performance of this warning device. Install this product so that output performance of the system is maximized and the controls are placed within convenient reach of the operator so that they can operate the system without losing eye contact with the roadway.
5. Do not install this product or route any wires in the deployment area of an air bag. Equipment mounted or located in an air bag deployment area may reduce the effectiveness of the air bag or become a projectile that could cause serious personal injury or death. Refer to the vehicle owner's manual for the air bag deployment area. It is the responsibility of the user/operator to determine a suitable mounting location ensuring the safety of all passengers inside the vehicle particularly avoiding areas of potential head impact.
6. It is the responsibility of the vehicle operator to ensure daily that all features of this product work correctly. In use, the vehicle operator should ensure the projection of the warning signal is not blocked by vehicle components (i.e., open trunks or compartment doors), people, vehicles or other obstructions.
7. The use of this or any other warning device does not ensure all drivers can or will observe or react to an emergency warning signal. Never take the right-of-way for granted. It is the vehicle operator's responsibility to be sure they can proceed safely before entering an intersection, drive against traffic, respond at a high rate of speed, or walk on or around traffic lanes.
8. This equipment is intended for use by authorized personnel only. The user is responsible for understanding and obeying all laws regarding emergency warning devices. Therefore, the user should check all applicable city, state, and federal laws and regulations. The manufacturer assumes no liability for any loss resulting from the use of this warning device.

<b>Size:</b>	ED5051VDL1	Light head only: 5.88 W x 1.56 D x 0.75" H Light head with shroud: 6.5" W x 2.88" D x 1.0" H
	ED5051VDL2	Light head only: 11.4" W x 1.6" D x 0.75" H Light head with shroud: 12.1" W x 3.0" D x 1.0" H
<b>Weight:</b>	ED5051VDL1	0.95 lbs.
	ED5051VDL2	1.7 lbs.
<b>Input Voltage:</b>		12-24 VDC
<b>Current (Max):</b>	ED5051VDL1	0.86 A @ 12 VDC
	ED5051VDL2	1.7 A @ 12 VDC
<b>Power (Max):</b>	ED5051VDL1	11.0 W @ 12 VDC
	ED5051VDL2	21.1 W @ 12 VDC
<b>Temp. Range:</b>		-40°C to 65°C
		-40°F to 149°F

## Installation & Mounting:

**Note:** Image shown is a ED5051VDL2 product. Use the same installation & mounting instructions for ED5051VDL1 product series.

Carefully remove the unit from its packaging. Examine the unit for transit damage. If damage is found, return the product to your local dealer for warranty replacement. Do not use damaged or broken parts. Determine a mounting location that ensures a clear line of sight for oncoming traffic.

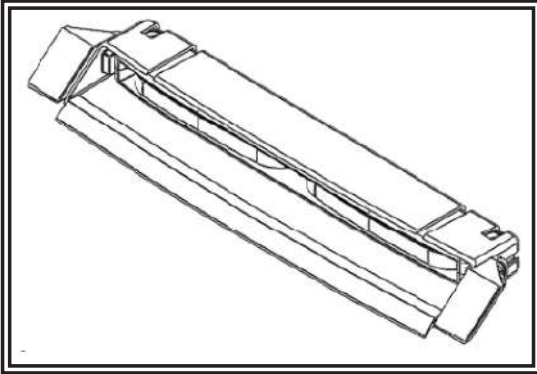


**CAUTION!**  
When drilling into any vehicle surface, make sure that the area is free from any electrical wires, fuel lines, vehicle upholstery, etc. that could be damaged.

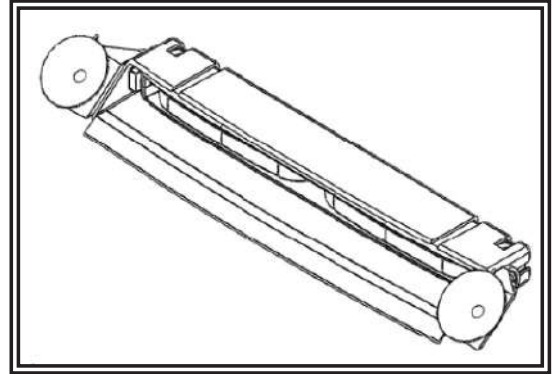


**CAUTION!**  
When installing using VHB tape into any vehicle with aftermarket tinted glass, it is best practice to trim the film around the surface where bracket will be mounted to ensure adhesion and avoid damage to the tint film.

### Mounting with Shroud:



**Figure 1**



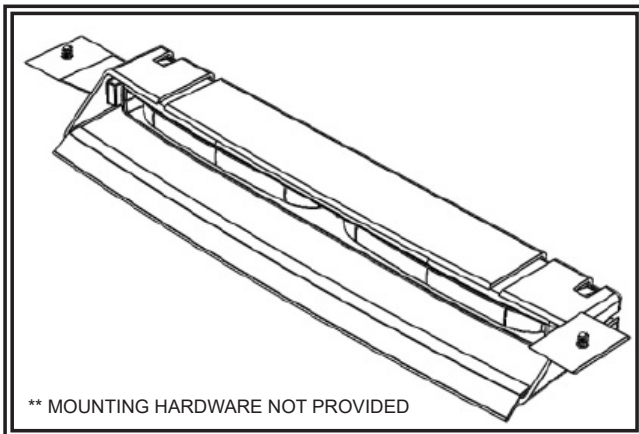
**Figure 2**

### Mounting with Shroud:

1. Ensure that the light head is securely attached to the shroud.
2. Install rubber gasket onto the shroud.
3. Remove the suction cup from each shroud bracket.
4. Clean the brackets with supplied alcohol wipe. \* for extra adhesion, see notes below.
5. Remove one side of the adhesive liner & apply to both brackets. Apply light pressure for 20 seconds.
6. Install the bracket as shown on Figures 4 & 5. Gently hand tighten the nut.
7. WITHOUT removing the second adhesive liner, hold the product to desired location. Loosen & hand tighten the nut as needed to adjust the light head angle. Once desired angle is achieved, gently tighten the fastener using a 10mm wrench or socket.
8. Clean mounting surface with supplied alcohol wipe. \*for extra adhesion, see notes below.
9. Remove the second adhesive liner.
10. Apply product on to the treated surface. Apply light pressure for 20 seconds.

### Mounting with Suction Cup:

1. Ensure that the light head is securely attached to the shroud.
2. Install the shroud bracket as shown on Figures 4 & 5. Gently hand tighten the nut.
3. Clean mounting surface with supplied alcohol wipe.
4. Apply the product on to the treated surface by gently pressing the suction cups on to the glass. Apply light pressure for 20 seconds. Gently adjust the light head to its desired angle if needed.
5. Once desired angle is achieved, gently tighten the fastener using a 10mm wrench or socket.

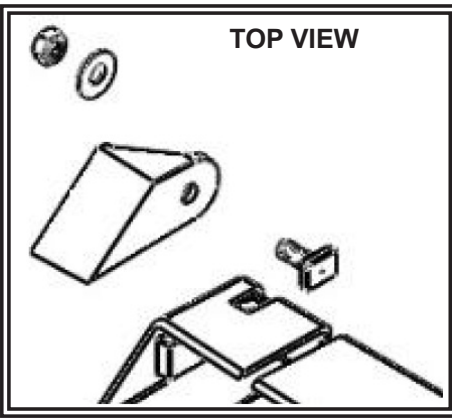


**Figure 3**

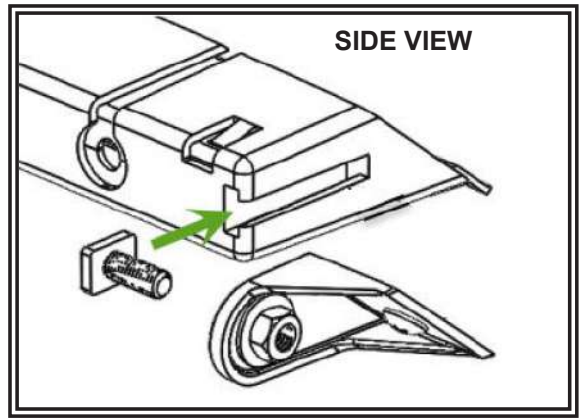
### Mounting with Hardware (NOT PROVIDED):

1. Ensure that the light head is securely attached to the shroud.
2. Install the shroud bracket as shown on Figures 4 & 5. Gently hand tighten the nut.
3. Clean mounting surface with supplied alcohol wipe.
4. Install product on to the treated surface by using #8 hardware screw (not included). Torque screws to  $8 \pm 2$  in-lbs.
5. Gently adjust the light head to its desired angle if needed.
6. Once desired angle is achieved, gently tighten the fastener using a 10mm wrench or socket.

\*For extra adhesion, use 3M Tape Primer. For product & application information, go to:  
<https://multimedia.3m.com/mws/media/659520/3mtm-tape-primer-94.pdf>

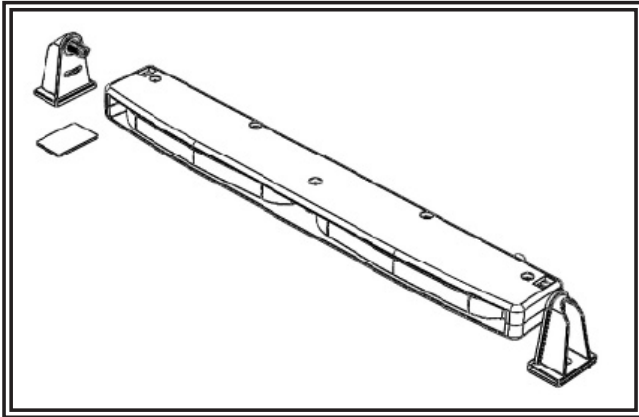


**Figure 4**

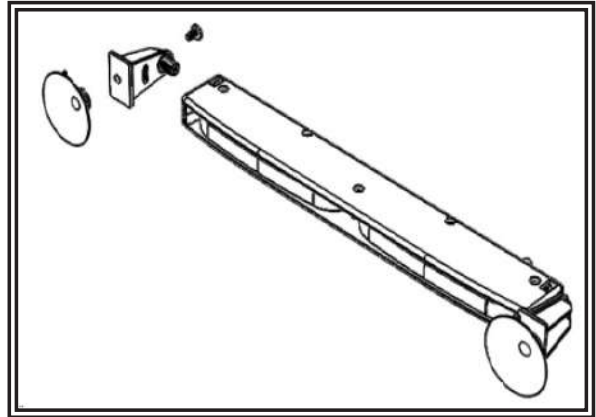


**Figure 5**

**Standard Mounting without Shroud:**



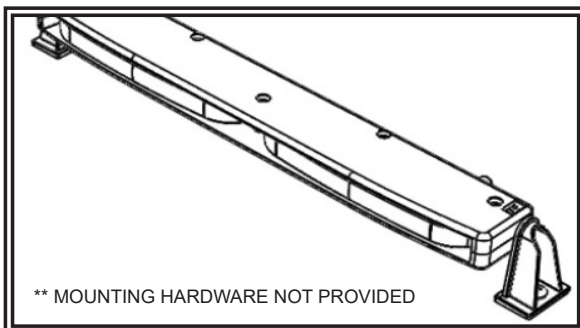
**Figure 6**



**Figure 7**

**Mounting with VHB Tape:**

1. Carefully remove the light head from the shroud.  
CAUTION: gently release the locking tabs to avoid breaking the tabs shown in Figure A .
2. Clean the light head brackets with supplied alcohol wipe. \* for extra adhesion, see notes below.
3. Remove one side of the adhesive liner & apply to both brackets. Apply light pressure for 20 seconds.
4. Insert bracket as shown on Figure B.
5. WITHOUT removing the second adhesive liner, hold the product to desired location. Adjust the light head to its desired angle by adjusting the bracket.
6. Clean mounting surface with supplied alcohol wipe. \*for extra adhesion, see notes below.
7. Remove the second adhesive liner.
8. Apply product on to the treated surface. Apply light pressure for 20 seconds.
9. Insert the provided screws in the light head locking mechanism as shown in Figure C. This will hold the brackets in position & the light head in the desired angle.



**Figure 8**

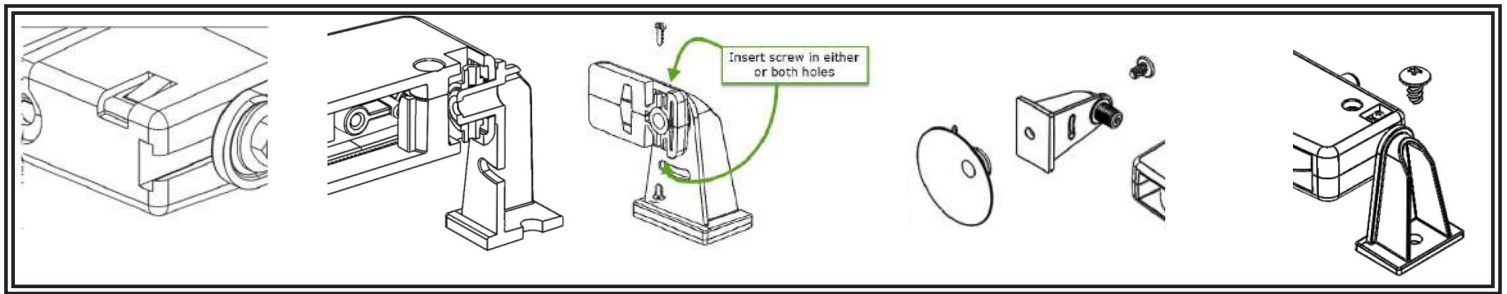
**Mounting with Suction Cup:**

1. Carefully remove the light head from the shroud.  
CAUTION: gently release the locking tabs to avoid breaking the tabs shown on Figure A.
2. Remove the suction cups from the shroud mounting brackets.
3. Install each suction cup to each bracket using the existing screws as shown on Figure D.
4. Insert bracket as shown on Figure B.
5. Clean mounting surface with supplied alcohol wipe.
6. Apply the product on to the treated surface gently pressing the suction cups on to the glass. Apply light pressure for 20 seconds. Gently adjust the light head to its desired angle if needed.
7. Insert the provided screws in the light head locking mechanism as shown in Figure C. This will hold the brackets in position & the light head in the desired angle.

**Mounting with Hardware (NOT PROVIDED):**

1. Carefully remove the light head from the shroud.  
CAUTION: gently release the locking tabs to avoid breaking the tabs shown on Figure A.
2. Insert the light head bracket as shown on Figure B.
3. Hold the product to desired location. Adjust the light head to its desired angle by adjusting the bracket.
4. Clean mounting surface with supplied alcohol wipe.
5. Install product on to the treated surface by using #8 hardware screw (not included) as shown on Figure E. Torque screws to  $8 \pm 2$  in-lbs.
6. Insert the provided screws in the light head locking mechanism as shown in Figure C. This will hold the brackets in position & the light head in the desired angle.

**\*For extra adhesion, use 3M Tape Primer. For product & application information, go to:**  
<https://multimedia.3m.com/mws/media/659520/3mtm-tape-primer-94.pdf>



**Figure A**

**Figure B**

**Figure C**

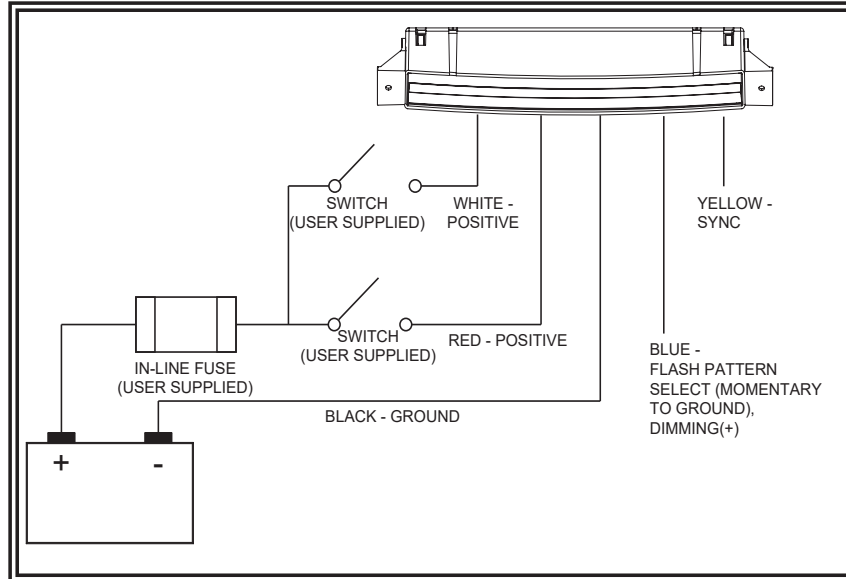
**Figure D**

**Figure E**

**Hardwire Wiring Instructions:**

All wiring should be stranded and a minimum of 20 AWG. The positive line must have an in-line 3 AMP slow-blow fuse for each directional as shown in FIGURE 9. Isolate the yellow and blue wires when not in use.

**IMPORTANT! This unit is a safety device and it must be connected to its own separate, fused power point to assure its continued operation should any other electrical accessory fail.**



**Figure 9**

**HARDWIRE CONFIGURATION SHOWN**

**Flash pattern select:**

To select a flash pattern, apply power to the RED or WHITE or both RED and WHITE wires.

Apply blue to black wire for flash pattern change:

Push Times	Function
0-1 secs.	next pattern
1-3 secs.	previous pattern
3-5 secs.	factory default pattern
5+ secs.	last pattern

**Dimming Function:**

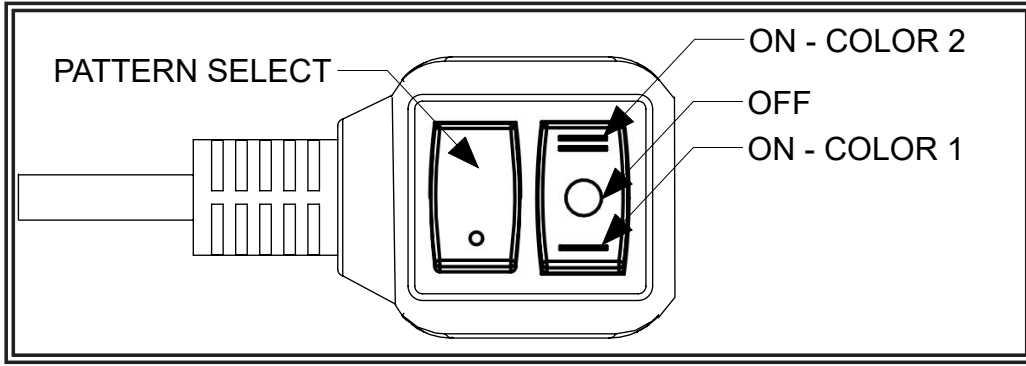
Connect blue wire to Red power wire.

**Synchronization:**

The ED5051VDL series is capable of syncing with other compatible ECCO products by following these steps:

1. Set the desired flash pattern on each unit individually. It is also strongly recommended that the same style of flash pattern be used on all units to produce the most effective warning pattern. NOTE: Phases A and B for each style of flash pattern in the table denote the relative timing between units connected in a synchronizing installation. To operate simultaneously, each unit must be set to the same phase (A +A or B + B); to operate alternately, units must be set to have the opposite phase (A + B or B + A).
2. Connect the yellow sync wires together and check that the units are flashing in a synchronized manner as expected. If a pattern on one unit appears incorrect, the blue pattern select wire can be used to cycle forward or backward on that individual unit until the correct pattern is selected. NOTE: This will only change the pattern in the one unit and will not affect the other units connected to the yellow sync wire.

**FLASH PATTERN SELECTION (CIGARETTE ADAPTER):**



ED5051VDL1 Series Flash Pattern Chart/ED5051VDL1 Serie Tabla de patrones de destello  
ED5051VDL1 Série Tableau des effets clignotants

Pattern	LED Color 1 & Color 3 Red line	LED Color 2 & Color 4 White line	PATTERNS	Phase	FPM	SAE J595	CA T13
						A,B,R,W	A,B,R
1	1-Default		Single Flash Color 1	A	75	CLASS 1	CLASS B,E
	2		Single Flash Color 1	B	75	CLASS 1	CLASS B,E
			Single Flash Alternating Color 1 & Color 2	A	75	TBD	TBD
			Single Flash Alternating Color 1 & Color 2	B	75	TBD	TBD
		1-Default	Single Flash Color 2	A	75	CLASS 1	CLASS B,E
		2	Single Flash Color 2	B	75	CLASS 1	CLASS B,E
	3	3	Single Flash Alternating Color 1 & Color 2	A	75	TBD	TBD
	4	4	Single Flash Alternating Color 1 & Color 2	B	75	TBD	TBD
5	5	Single Flash Alternating Color 1 & Color 2		75	TBD	TBD	
2	6		Single Flash Color 1	A	375	N/A	N/A
	7		Single Flash Color 1	B	375	N/A	N/A
			Single Flash Alternating Color 1 & Color 2	A	375	N/A	N/A
			Single Flash Alternating Color 1 & Color 2	B	375	N/A	N/A
		6	Single Flash Color 2	A	375	N/A	N/A
		7	Single Flash Color 2	B	375	N/A	N/A
	8	8	Single Flash Alternating Color 1 & Color 2	A	375	N/A	N/A
	9	9	Single Flash Alternating Color 1 & Color 2	B	375	N/A	N/A
	10	10	Single Flash Alternating Color 1 & Color 2		375	N/A	N/A
	3	11		Double Flash Color 1	A	75	CLASS 1
12			Double Flash Color 1	B	75	CLASS 1	CLASS B,E
			Double Flash Alternating Color 1 & Color 2	A	75	TBD	TBD
			Double Flash Alternating Color 1 & Color 2	B	75	TBD	TBD
		11	Double Flash Color 2	A	75	CLASS 1	CLASS B,E
		12	Double Flash Color 2	B	75	CLASS 1	CLASS B,E
13		13	Double Flash Alternating Color 1 & Color 2	A	75	TBD	TBD
14		14	Double Flash Alternating Color 1 & Color 2	B	75	TBD	TBD
15	15	Double Flash Alternating Color 1 & Color 2		75	TBD	TBD	
4	16		Double Flash Color 1	A	120	CLASS 1	N/A
	17		Double Flash Color 1	B	120	CLASS 1	N/A
			Double Flash Color 1 Alternately Color 4	A	120	N/A	N/A
			Double Flash Color 1 Alternately Color 4	B	120	N/A	N/A
		16	Double Flash Color 2	A	120	CLASS 1	N/A
		17	Double Flash Color 2	B	120	CLASS 1	N/A
	18	18	Double Flash Alternating Color 1 & Color 2	A	120	N/A	N/A
	19	19	Double Flash Alternating Color 1 & Color 2	B	120	N/A	N/A
20	20	Double Flash Alternating Color 1 & Color 2		120	N/A	N/A	
5	21		Triple Flash Color 1	A	75	CLASS 1	TBD
	22		Triple Flash Color 1	B	75	CLASS 1	TBD
			Triple Flash Color 1 Alternately Color 4	A	75	TBD	TBD
			Triple Flash Color 1 Alternately Color 4	B	75	TBD	TBD
		21	Triple Flash Color 2	A	75	CLASS 1	TBD
		22	Triple Flash Color 2	B	75	CLASS 1	TBD
	23	23	Triple Flash Alternating Color 1 & Color 2	A	75	TBD	TBD
24	24	Triple Flash Alternating Color 1 & Color 2	B	75	TBD	TBD	
25	25	Triple Flash Alternating Color 1 & Color 2		75	TBD	TBD	
6	26		Quad Flash Color 1	A	75	CLASS 1	CLASS B,E
	27		Quad Flash Color 1	B	75	CLASS 1	CLASS B,E
			Quad Flash Color 1 Alternately Color 4	A	75	TBD	TBD
			Quad Flash Color 1 Alternately Color 4	B	75	TBD	TBD
		26	Quad Flash Color 2	A	75	CLASS 1	CLASS B,E
		27	Quad Flash Color 2	B	75	CLASS 1	CLASS B,E
	28	28	Quad Flash Alternating Color 1 & Color 2	A	75	TBD	TBD
	29	29	Quad Flash Alternating Color 1 & Color 2	B	75	TBD	TBD
30	30	Quad Flash Alternating Color 1 & Color 2		75	TBD	TBD	
7	31		Quad Flash Color 1	A	120	CLASS 1	N/A
	32		Quad Flash Color 1	B	120	CLASS 1	N/A
			Quad Flash Color 1 Alternately Color 4	A	120	N/A	N/A
			Quad Flash Color 1 Alternately Color 4	B	120	N/A	N/A
		31	Quad Flash Color 2	A	120	CLASS 1	N/A
		32	Quad Flash Color 2	B	120	CLASS 1	N/A
	33	33	Quad Flash Alternating Color 1 & Color 2	A	120	N/A	N/A
34	34	Quad Flash Alternating Color 1 & Color 2	B	120	N/A	N/A	
35	35	Quad Flash Alternating Color 1 & Color 2		120	N/A	N/A	
8	36		Steady burn-Color 1 & 3	N/A	N/A	N/A	CLASS B,E
		36	Steady burn-Color 2 & 4	N/A	N/A	N/A	CLASS B,E

ED5051VDL2 Series Flash Pattern Chart/ED5051VDL2 Serie Tabla de patrones de destello/ED5051VDL2 Série Tableau des effets clignotants								
Pattern	Mode	Description	Phase	FPM	SAE J595		CA Title 13	
					RW, BW, AW	RWBW	RW, BW, AW	RWBW
1	1	Single Flash - Simultaneous Color 1	A	75	Class 1	N/C	Class B	N/C
	2	Single Flash - Simultaneous Color 1	B	75	Class 1	N/C	Class B	N/C
	3	Single Flash - Alternating Color 1	A	75	N/C	N/C	N/C	N/C
	4	Single Flash - Alternating Color 1	B	75	N/C	N/C	N/C	N/C
2	5	Double Flash - Simultaneous Color 1	A	75	Class 1	N/C	Class B	N/C
	6	Double Flash - Simultaneous Color 1	B	75	Class 1	N/C	Class B	N/C
	7	Double Flash - Alternating Color 1	A	75	N/C	N/C	N/C	N/C
	8	Double Flash - Alternating Color 1	B	75	N/C	N/C	N/C	N/C
3	9	Quad Flash - Simultaneous Color 1	A	75	Class 1	N/C	Class B	N/C
	10	Quad Flash - Simultaneous Color 1	B	75	Class 1	N/C	Class B	N/C
	11	Quad Flash - Alternating Color 1	A	75	N/C	N/C	N/C	N/C
	12	Quad Flash - Alternating Color 1	B	75	N/C	N/C	N/C	N/C
4	13	Single Flash - Simultaneous Color 1	A	120	Class 1	N/C	N/C	N/C
	14	Single Flash - Simultaneous Color 1	B	120	Class 1	N/C	N/C	N/C
	15	Single Flash - Alternating Color 1	A	120	N/C	N/C	N/C	N/C
	16	Single Flash - Alternating Color 1	B	120	N/C	N/C	N/C	N/C
5	17	Double Flash - Simultaneous Color 1	A	120	Class 1	N/C	N/C	N/C
	18	Double Flash - Simultaneous Color 1	B	120	Class 1	N/C	N/C	N/C
	19	Double Flash - Alternating Color 1	A	120	N/C	N/C	N/C	N/C
	20	Double Flash - Alternating Color 1	B	120	N/C	N/C	N/C	N/C
6	21	Quad Flash - Simultaneous Color 1	A	120	Class 1	N/C	N/C	N/C
	22	Quad Flash - Simultaneous Color 1	B	120	Class 1	N/C	N/C	N/C
	23	Quad Flash - Alternating Color 1	A	120	N/C	N/C	N/C	N/C
	24	Quad Flash - Alternating Color 1	B	120	N/C	N/C	N/C	N/C
7	25	Single Flash - Simultaneous Color 1	A	350	N/C	N/C	N/C	N/C
	26	Single Flash - Simultaneous Color 1	B	350	N/C	N/C	N/C	N/C
	27	Single Flash - Alternating Color 1	A	350	N/C	N/C	N/C	N/C
	28	Single Flash - Alternating Color 1	B	350	N/C	N/C	N/C	N/C
8	29	Single Flash - Simultaneous Color 2	A	75	Class 1	Class 1	N/C	N/C
	30	Single Flash - Simultaneous Color 2	B	75	Class 1	Class 1	N/C	N/C
	31	Single Flash - Alternating Color 2	A	75	N/C	N/C	N/C	N/C
	32	Single Flash - Alternating Color 2	B	75	N/C	N/C	N/C	N/C
9	33	Double Flash - Simultaneous Color 2	A	120	Class 1	Class 1	N/C	N/C
	34	Double Flash - Simultaneous Color 2	B	120	Class 1	Class 1	N/C	N/C
	35	Double Flash - Alternating Color 2	A	120	N/C	N/C	N/C	N/C
	36	Double Flash - Alternating Color 2	B	120	N/C	N/C	N/C	N/C
10	37	Single Flash - Simultaneous Color 1 & Color 2	A	75	N/C	N/C	N/C	N/C
	38	Single Flash - Simultaneous Color 1 & Color 2	B	75	N/C	N/C	N/C	N/C
	39	Single Flash - Alternating Color 1 & Color 2	A	75	N/C	N/C	N/C	N/C
	40	Single Flash - Alternating Color 1 & Color 2	B	75	N/C	N/C	N/C	N/C
11	41	Double Flash - Simultaneous Color 1 & Color 2	A	120	N/C	N/C	N/C	N/C
	42	Double Flash - Simultaneous Color 1 & Color 2	B	120	N/C	N/C	N/C	N/C
	43	Double Flash - Alternating Color 1 & Color 2	A	120	N/C	N/C	N/C	N/C
	44	Double Flash - Alternating Color 1 & Color 2	B	120	N/C	N/C	N/C	N/C
12	45	Single Flash - Simultaneous Color 2 & Color 1	A	75	N/C	N/C	N/C	N/C
	46	Single Flash - Simultaneous Color 2 & Color 1	B	75	N/C	N/C	N/C	N/C
	47	Single Flash - Alternating Color 2 & Color 1	A	75	N/C	N/C	N/C	N/C
	48	Single Flash - Alternating Color 2 & Color 1	B	75	N/C	N/C	N/C	N/C
13	49	Double Flash - Simultaneous Color 2 & Color 1	A	120	N/C	N/C	N/C	N/C
	50	Double Flash - Simultaneous Color 2 & Color 1	B	120	N/C	N/C	N/C	N/C
	51	Double Flash - Alternating Color 2 & Color 1	A	120	N/C	N/C	N/C	N/C
	52	Double Flash - Alternating Color 2 & Color 1	B	120	N/C	N/C	N/C	N/C
14	53	Steady Burn - Color 1 & Single Flash - Color 1		75	N/C	N/C	N/C	N/C
	54	Single Flash - Color 1 & Steady Burn - Color 1		75	N/C	N/C	N/C	N/C
	55	Steady Burn - Color 1 & Single Flash - Color 2		75	N/C	N/C	N/C	N/C
	56	Single Flash - Color 1 & Steady Burn - Color 2		75	N/C	N/C	N/C	N/C
	57	Steady Burn - Color 2 & Single Flash - Color 1		75	N/C	N/C	N/C	N/C
15	58	Single Flash - Color 2 & Steady Burn - Color 1		75	N/C	N/C	N/C	N/C
	59	Steady Burn - Color 1 & Quad Flash - Color 1		75	N/C	N/C	N/C	N/C
	60	Quad Flash - Color 1 & Steady Burn - Color 1		75	N/C	N/C	N/C	N/C
	61	Steady Burn - Color 1 & Quad Flash - Color 2		75	N/C	N/C	N/C	N/C
	62	Quad Flash - Color 1 & Steady Burn - Color 2		75	N/C	N/C	N/C	N/C
	63	Steady Burn - Color 2 & Quad Flash - Color 1		75	N/C	N/C	N/C	N/C
	64	Quad Flash - Color 2 & Steady Burn - Color 1		75	N/C	N/C	N/C	N/C
16	65	Steady Burn - Color 1		N/A	N/C	N/C	N/C	N/C
	66	Steady Burn - Color 2		N/A	N/C	N/C	N/C	N/C
17	67	Off		N/A	N/C	N/C	N/C	N/C

**Manufacturer Limited Warranty and Limitation of Liability:**

Manufacturer warrants that on the date of purchase this product will conform to Manufacturer's specifications for this product (which are available from the Manufacturer upon request), and Manufacturer further warrants that this product is free from defects in materials and workmanship. This Limited Warranty extends for sixty (60) months from the date of purchase. Other warranties may apply, call Manufacturer for details. Manufacturer will, at its discretion, repair or replace any product found by the Manufacturer to be defective and subject to this Limited Warranty.

**DAMAGE TO PARTS OR PRODUCTS RESULTING FROM TAMPERING, ACCIDENT, ABUSE, MISUSE, NEGLIGENCE, UNAPPROVED MODIFICATIONS, FIRE OR OTHER HAZARD; IMPROPER INSTALLATION OR OPERATION; OR NOT BEING MAINTAINED IN ACCORDANCE WITH THE MAINTENANCE PROCEDURES SET FORTH IN MANUFACTURER'S INSTALLATION AND OPERATING INSTRUCTIONS VOIDS THIS LIMITED WARRANTY.**

**ORAL STATEMENTS OR REPRESENTATIONS ABOUT THE PRODUCT WHICH MAY HAVE BEEN MADE BY SALESPEOPLE, DEALERS, AGENTS OR OTHER MANUFACTURER'S REPRESENTATIVES DO NOT CONSTITUTE WARRANTIES. THIS LIMITED WARRANTY MAY NOT BE AMENDED, MODIFIED, OR ENLARGED EXCEPT BY A WRITTEN AGREEMENT SIGNED BY AN AUTHORIZED OFFICIAL OF MANUFACTURER WHICH EXPRESSLY REFERS TO THIS LIMITED WARRANTY.**

**Exclusion of Other Warranties: MANUFACTURER MAKES NO OTHER WARRANTIES, EXPRESS OR IMPLIED. THE IMPLIED WARRANTIES FOR MERCHANTABILITY OR FITNESS FOR A PARTICULAR PURPOSE ARE HEREBY EXCLUDED AND SHALL NOT APPLY TO THE PRODUCT. BUYER'S SOLE AND EXCLUSIVE REMEDY IN CONTRACT, TORT, OR UNDER ANY OTHER THEORY AGAINST MANUFACTURER REGARDING THE PRODUCT AND ITS USE SHALL BE THE REPLACEMENT OR REPAIR OF THE PRODUCT AS DESCRIBED ABOVE.**

**Limitation of Liability: IN THE EVENT OF LIABILITY FOR DAMAGES ARISING OUT OF THIS LIMITED WARRANTY OR ANY OTHER CLAIM RELATED TO THE MANUFACTURER'S PRODUCTS, MANUFACTURER'S LIABILITY FOR DAMAGES SHALL BE LIMITED TO THE AMOUNT PAID FOR THE PRODUCT AT THE TIME OF THE ORIGINAL PURCHASE. IN NO EVENT SHALL MANUFACTURER BE LIABLE FOR LOST PROFITS, THE COST OF SUBSTITUTE EQUIPMENT OR LABOR, PROPERTY DAMAGE, OR OTHER SPECIAL, CONSEQUENTIAL, OR INCIDENTAL DAMAGES BASED UPON ANY CLAIM FOR BREACH OF CONTRACT, IMPROPER INSTALLATION, NEGLIGENCE, OR OTHER CLAIM, EVEN IF MANUFACTURER OR A MANUFACTURER'S REPRESENTATIVE HAS BEEN ADVISED OF THE POSSIBILITY OF SUCH DAMAGES. MANUFACTURER SHALL HAVE NO FURTHER OBLIGATION OR LIABILITY WITH RESPECT TO THE PRODUCT OR ITS SALE, OPERATION AND USE, AND MANUFACTURER NEITHER ASSUMES NOR AUTHORIZES THE ASSUMPTION OF ANY OTHER OBLIGATION OR LIABILITY IN CONNECTION WITH SUCH PRODUCT.**

This Limited Warranty defines specific legal rights. You may have other legal rights, which vary from state to state. Some states do not allow the exclusion or limitation of incidental or consequential damages.



833 West Diamond St, Boise, Idaho 83705  
**Customer Service** USA 800-635-5900  
UK +44 (0)113 237 5340 | AUS +61 (0)3 63322444  
**ECCOESG.com**



# Instrucciones de instalación y operación

## Luz de cubierta, tablero y visor de la serie ED5051VDL

SOLO PARA USO INTERIOR

¡IMPORTANTE! Lea todas las instrucciones antes de instalar y utilizar. Instalador: Este manual se debe entregar al usuario final.



### ¡ADVERTENCIA!

Si no sigue las instrucciones del fabricante a la hora de instalar o usar el producto, pueden producirse daños materiales, y lesiones graves o incluso mortales a aquellos que pretende proteger!



**No instale ni opere este producto de seguridad, a menos que haya leído y comprendido la información de seguridad contenida en este manual.**

1. Para garantizar su propia seguridad y la de las personas a las que intenta proteger, es esencial una instalación correcta, combinada con la formación de operador en el uso, cuidado y mantenimiento de los dispositivos de alerta de emergencia.
2. Tenga cuidado cuando manipule conexiones eléctricas con corriente.
3. Este producto debe estar conectado a tierra correctamente. Una conexión a tierra incorrecta o unas conexiones eléctricas cortocircuitadas pueden provocar arcos de corriente alta, lo que puede ocasionar lesiones personales o daños graves en el vehículo, incluso un incendio.
4. La colocación e instalación adecuadas son vitales para el buen funcionamiento de este dispositivo de alarma. Instale este producto de forma que permita un rendimiento óptimo del sistema y los controles estén situados de modo que el operador pueda alcanzarlos cómodamente y manejar el sistema sin perder en ningún momento el contacto visual con la calzada.
5. No instale este producto ni coloque los cables en la zona de despliegue de un airbag. Si el equipo se monta o coloca en la zona de despliegue de un airbag, el airbag perderá eficacia o el equipo puede salir despedido, lo cual puede causar lesiones graves o incluso mortales. Consulte el manual del propietario del vehículo para conocer la zona de despliegue de los airbags. El usuario u operador son responsables de determinar una posición de montaje adecuada que garantice la seguridad de todos los ocupantes del vehículo, y deben evitar zonas que puedan provocar golpes en la cabeza.
6. Es responsabilidad del operador del vehículo asegurarse de que todas las características de este producto funcionan correctamente durante su uso. Durante su uso, el operador del vehículo debe asegurarse de que no haya componentes del vehículo (como los maleteros o puertas del habitáculo abiertos), personas, vehículos u otros obstáculos que bloqueen la señal de alarma.
7. El uso de este o cualquier otro dispositivo de alarma no garantiza que los conductores puedan o quieran observar o reaccionar a la señal de alarma. Nunca dé por hecho que tiene prioridad de paso. Es responsabilidad enteramente suya asegurarse de que puede continuar de forma segura antes de entrar en una intersección, conducir en sentido contrario, responder a una gran velocidad o caminar por los carriles de tráfico o cerca de ellos.
8. El uso de este equipo está destinado exclusivamente a personal autorizado. El usuario es responsable de conocer y acatar todas las leyes vigentes relacionadas con dispositivos de señales de advertencia. Por lo tanto, el usuario debe comprobar todas las leyes y normativas de ámbito metropolitano, regional, nacional y cualquier otro ámbito pertinente. El fabricante no asume responsabilidad alguna por pérdidas derivadas del uso de este dispositivo de alarma.

<b>Tamaño</b>	ED5051VDL1	Solo cabezal de luz: 149,35 mm x 39,62 mm x 19,05 mm (5,88" an. x 1,56" pr. x 0,75" al.) Cabezal de luz con cubierta protectora: 165,10 mm x 73,15 mm x 25,4 mm (6,5" an. x 2,88" pr. x 1,0" al.)
	ED5051VDL2	Solo cabezal de luz: 289,56 mm x 40,64 mm x 19,05 mm (11,4" an. x 1,6" pr. x 0,75" al.) Cabezal de luz con cubierta protectora: 307,34 mm x 76,2 mm x 25,4 mm (12,1" an. x 3,0" pr. x 1,0" al.)
<b>Peso</b>	ED5051VDL1	0,43 kg (0,95 lb)
	ED5051VDL2	0,8 kg (1,7 lb)
<b>Votaje de entrada</b>		12-24 VCC
<b>Corriente</b>	ED5051VDL1	0,86 A (a 12 VCC nominal)
	ED5051VDL2	1,7 A (a 12 VCC nominal)
<b>Potencia</b>	ED5051VDL1	11,0 W (a 12 VCC nominal)
	ED5051VDL2	21,1 W (a 12 VCC nominal)
<b>Rango de temperatura</b>		de -40°C a 65°C
		de -40°F a 149°F

## Instalación y montaje:

**Nota:** La imagen que se muestra es un producto ED5051VDL2. Utilice las mismas instrucciones de instalación y montaje para la serie de productos ED5051VDL1.

Retire cuidadosamente la unidad de su embalaje. Examine la unidad en busca de daños producidos durante el transporte. Si se detectan daños, devuelva el producto a nuestro distribuidor local para obtener un reemplazo de garantía. No utilice piezas dañadas o rotas. Determine una ubicación de montaje que garantice una línea de visión clara para el tráfico en sentido opuesto.



### PRECAUCIÓN:

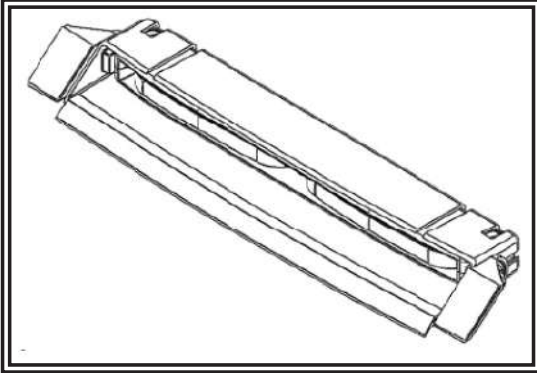
Cuando taladre cualquier superficie del vehículo, asegúrese de que no exista el riesgo de dañar cables eléctricos, tubos de combustible, tapicería de vehículo, etc.



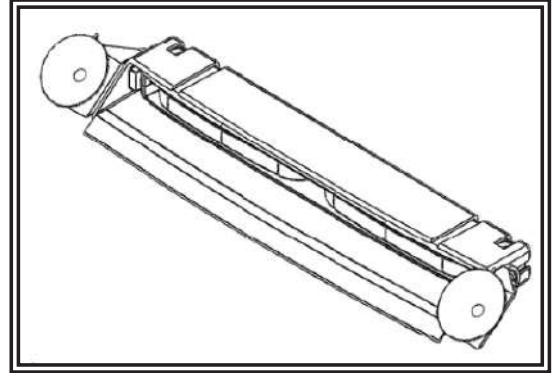
### PRECAUCIÓN:

Cuando realice la instalación con cinta de adherencia muy alta en cualquier vehículo con vidrios polarizados de otros fabricantes, se recomienda recortar la película alrededor de la superficie en la que se montará el soporte para garantizar su adherencia y evitar daños en la película polarizada.

### Montaje con cubierta protectora:



**Figura 1**



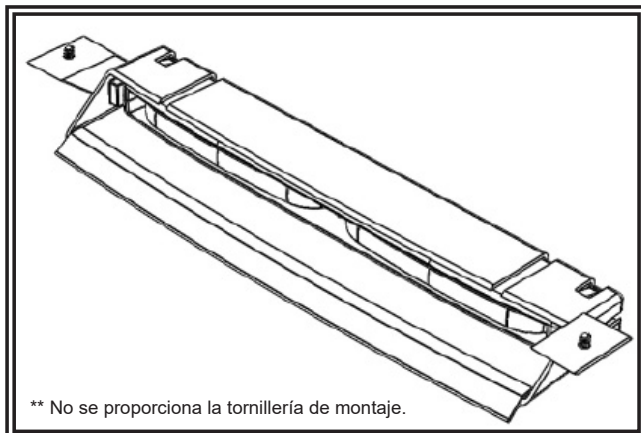
**Figura 2**

### MONTAJE CON CINTA DE ADHERENCIA MUY ALTA:

1. Asegúrese de que el cabezal de luz esté firmemente sujeto a la cubierta.
2. Instale la junta de goma en la cubierta.
3. Retire la ventosa de cada soporte de la cubierta.
4. Limpie los soportes con la toallita con alcohol suministrada. \*Para lograr una mayor adherencia, consulte las siguientes notas.
5. Quite un lado del recubrimiento del adhesivo y aplique en ambos soportes. Presione suavemente durante 20 segundos.
6. Instale el soporte como se muestra en las figuras 4 & 5. Apriete la tuerca con la mano suavemente.
7. SIN quitar el segundo recubrimiento del adhesivo, sujete el producto en la ubicación deseada. Afloje y apriete con la mano la tuerca, según sea necesario, para ajustar el ángulo del cabezal de luz. Una vez que logre el ángulo deseado, apriete con cuidado la tuerca del tornillo con una llave de 10 mm o una llave de cubo.
8. Limpie la superficie de montaje con la toallita con alcohol suministrada. \*Para lograr una mayor adherencia, consulte las siguientes notas.
9. Retire el segundo recubrimiento del adhesivo.
10. Aplique el producto sobre la superficie tratada. Presione suavemente durante 20 segundos.

### MONTAJE CON VENTOSA:

1. Asegúrese de que el cabezal de luz esté firmemente sujeto a la cubierta.
2. Instale el soporte de la cubierta como se muestra en las figuras 4 & 5. Apriete la tuerca con la mano suavemente.
3. Limpie la superficie de montaje con la toallita con alcohol suministrada.
4. Aplique el producto sobre la superficie tratada presionando suavemente las ventosas en el vidrio. Presione suavemente durante 20 segundos. Ajuste suavemente el cabezal de luz en el ángulo deseado, si es necesario.
5. Una vez que logre el ángulo deseado, apriete con cuidado la tuerca del tornillo con una llave de 10 mm o una llave de cubo.



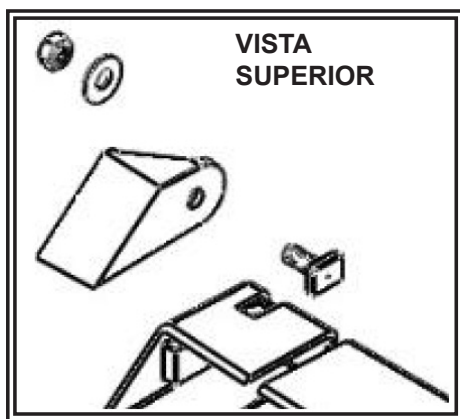
\*\* No se proporciona la tornillería de montaje.

**Figura 3**

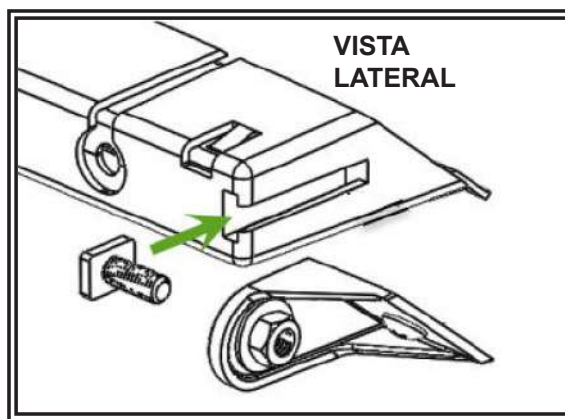
### MONTAJE CON TORNILLOS (NO INCLUIDOS):

1. Asegúrese de que el cabezal de luz esté firmemente sujeto a la cubierta.
2. Instale el soporte de la cubierta como se muestra en la figura 6. Apriete la tuerca con la mano suavemente.
3. Limpie la superficie de montaje con la toallita con alcohol suministrada.
4. Instale el producto en la superficie tratada con un tornillo de fijación n.º 8 (no incluido). Apriete los tornillos a  $8 \pm 2$  pulg.-lbs.
5. Ajuste suavemente el cabezal de luz en el ángulo deseado, si es necesario.
6. Una vez que logre el ángulo deseado, apriete con cuidado la tuerca del tornillo con una llave de 10 mm o una llave de cubo.

\*Para obtener una mayor adherencia, utilice imprimación para cintas 3M. Para obtener información sobre productos y aplicaciones, visite: <https://multimedia.3m.com/mws/media/659520/3mtm-tape-primer-94.pdf>

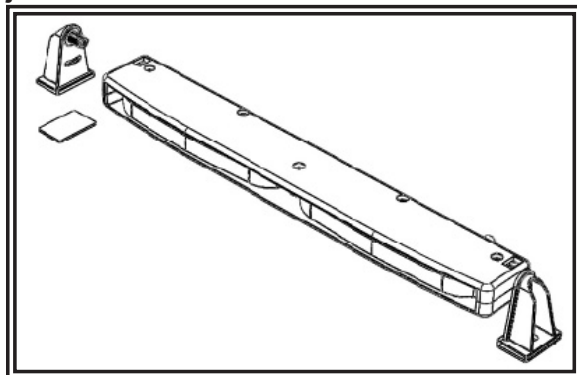


**Figura 4**

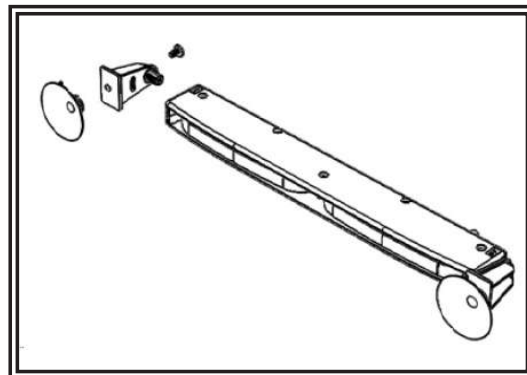


**Figura 5**

**Montaje estándar sin cubierta:**



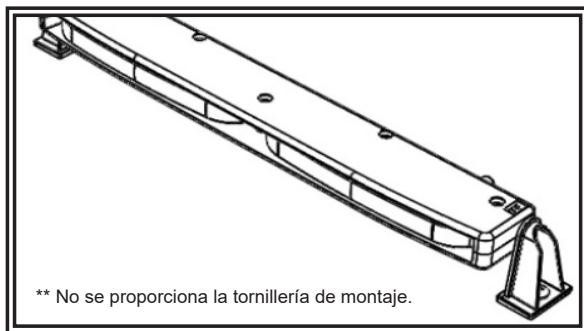
**Figura 6**



**Figura 7**

**MONTAJE CON CINTA DE ADHERENCIA MUY ALTA:**

1. Retire con cuidado el cabezal de luz de la cubierta.  
PRECAUCIÓN: Suelte suavemente las pestañas de bloqueo para evitar que se rompan las pestañas que se muestran en la Figure A .
2. Limpie los soportes del cabezal de luz con la toallita con alcohol suministrada. \* Para lograr una mayor adherencia, consulte las siguientes notas.
3. Quite un lado del recubrimiento del adhesivo y aplique en ambos soportes. Presione suavemente durante 20 segundos.
4. Inserte el soporte como se muestra en la Figura B.
5. SIN quitar el segundo recubrimiento del adhesivo, sujete el producto en la ubicación deseada. Ajuste el soporte para colocar el cabezal de luz en el ángulo deseado.
6. Limpie la superficie de montaje con la toallita con alcohol suministrada. \* Para lograr una mayor adherencia, consulte las siguientes notas.
7. Retire el segundo recubrimiento del adhesivo.
8. Aplique el producto sobre la superficie tratada. Presione suavemente durante 20 segundos.
9. Inserte los tornillos suministrados en el mecanismo de bloqueo del cabezal de luz como se muestra en la figura 3. Esto mantendrá los soportes en su posición y el cabezal de luz en el ángulo deseado.



\*\* No se proporciona la tornillería de montaje.

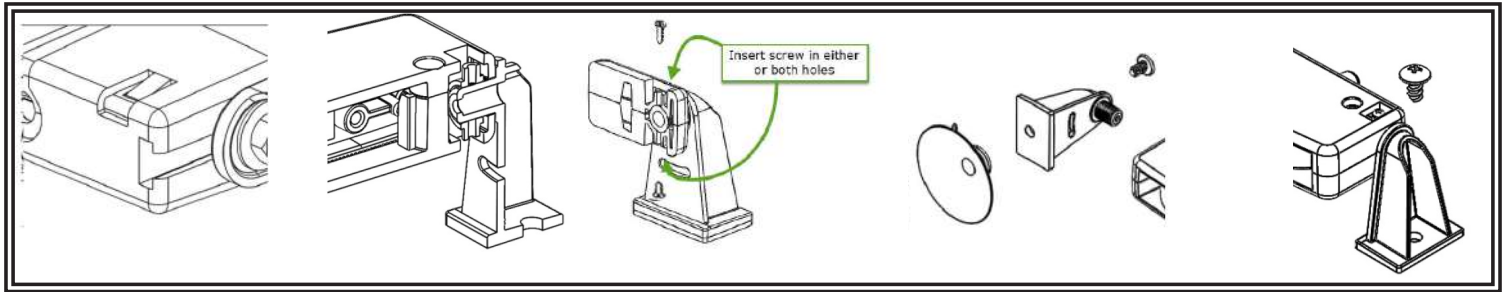
**Figura 8**

**MONTAJE CON VENTOSA:**

1. Retire con cuidado el cabezal de luz de la cubierta.  
PRECAUCIÓN: Suelte suavemente las pestañas de bloqueo para evitar que se rompan las pestañas que se muestran en la Figure A.
2. Retire las ventosas de los soportes de montaje de la cubierta.
3. Instale cada ventosa en cada soporte con los tornillos existentes, como se muestra en la Figure C.
4. Inserte el soporte como se muestra en la Figure B.
5. Limpie la superficie de montaje con la toallita con alcohol suministrada.
6. Coloque el producto sobre la superficie tratada presionando suavemente las ventosas de succión sobre el vidrio. Presione suavemente durante 20 segundos. Ajuste suavemente el cabezal de luz en el ángulo deseado, si es necesario.
7. Inserte los tornillos suministrados en el mecanismo de bloqueo del cabezal de luz como se muestra en la Figura C. Esto mantendrá los soportes en su posición y el cabezal de luz en el ángulo deseado.

**MONTAJE CON TORNILLOS (NO SE INCLUYEN LOS TORNILLOS):**

1. Retire con cuidado el cabezal de luz de la cubierta.  
PRECAUCIÓN: Suelte suavemente las pestañas de bloqueo para evitar que se rompan las pestañas que se muestran en la Figure A.
2. Inserte el soporte del cabezal de luz como se muestra en la Figura B
3. Mantenga el producto en la ubicación deseada. Ajuste el soporte para colocar el cabezal de luz en el ángulo deseado.
4. Limpie la superficie de montaje con la toallita con alcohol suministrada.
5. Instale el producto en la superficie tratada con un tornillo de fijación n.º 8 (no incluido) como se muestra en la Figura E. Apriete los tornillos a 8 ± 2 pulg.-lbs.
6. Inserte los tornillos suministrados en el mecanismo de bloqueo del cabezal de luz como se muestra en la Figura C. Esto mantendrá los soportes en su posición y el cabezal de luz en el ángulo deseado.



**Figura A**

**Figura B**

**Figura C**

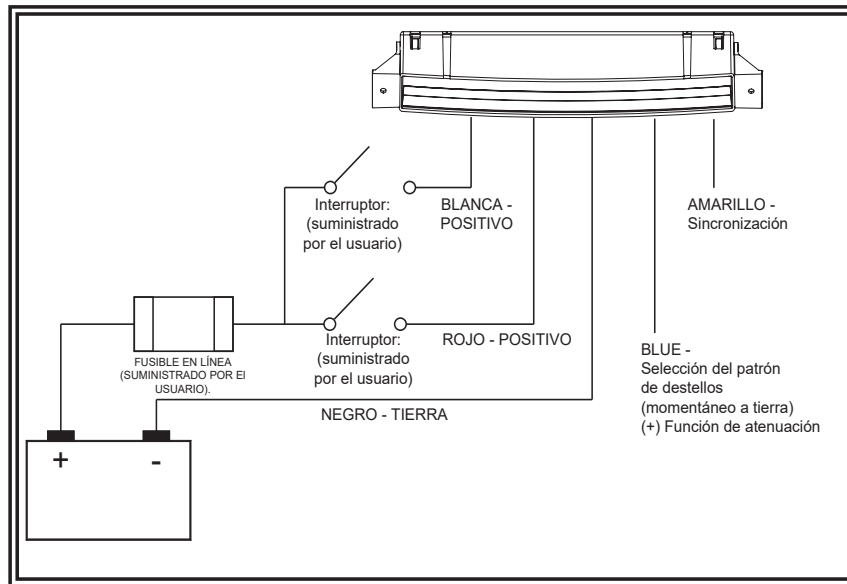
**Figura D**

**Figura E**

**Instrucciones de cableado:**

Todo el cableado debe ser trenzado y de un mínimo de 20 AWG. La línea positiva debe tener un fusible de acción retardada de 3 amperios en línea para cada luz direccional, según se muestra en la FIGURA 9. Aísle los cables amarillo y azul cuando no los utilice.

**¡IMPORTANTE!** Esta unidad es un dispositivo de seguridad y se debe conectar a su propia fuente de poder de fusibles separada para asegurar su funcionamiento continuo si cualquier otro accesorio eléctrico falla.



**Figura 9**

SE MUESTRA LA CONFIGURACIÓN HARDWIRE

**Selección de patrones de destello:**

Para seleccionar un patrón de destello, aplique energía al cable ROJO, al BLANCO o a AMBOS. Aplique energía a los cables azul y negro para cambiar el patrón de destello:

Tiempos de presión:	Función:
0-1 s	siguiente patrón
1-3 s	patrón anterior
3-5 s	patrón predeterminado de fábrica
más de 5 s	último patrón

**Función de atenuación:**

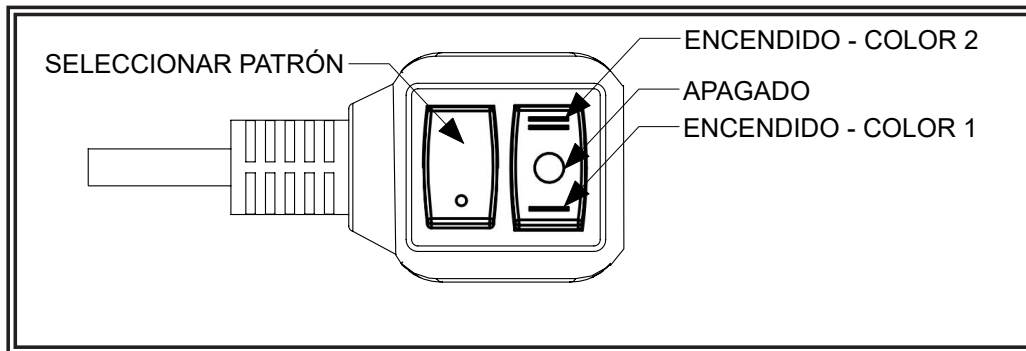
Conecte el cable azul al cable de alimentación rojo.

**Sincronización:**

La serie ED5051VDL es capaz de sincronizarse con otros productos ECCO compatibles siguiendo estos pasos:

1. Ajuste el patrón de destello deseado en cada unidad de manera individual. También se recomienda encarecidamente que se utilice el mismo estilo de patrón de destello en todas las unidades para producir el patrón de advertencia más efectivo. **NOTA:** Las fases A y B para cada estilo de patrón de destello en la tabla indican la sincronización relativa entre las unidades conectadas en una instalación en sincronización. Para operar simultáneamente, cada unidad debe configurarse en la misma fase (A + A o B + B); para funcionar de manera alternada, se deben configurar unidades en fases opuestas (A + B o B + A).
2. Conecte los cables amarillos de sincronización entre sí y revise que las unidades estén destellando de manera sincronizada según lo previsto. Si el patrón de una unidad parece incorrecto, el cable azul de selección del patrón se puede utilizar para cambiar el patrón hacia delante o hacia atrás en esa unidad en particular hasta que se seleccione el patrón correcto. **NOTA:** Esto solo cambiará el patrón en una unidad y no afectará a las otras unidades conectadas al cable amarillo de sincronización.

**Selección de patrón de parpadeo (Adaptador de cigarrillos):**



### **Garantía limitada del fabricante y restricción de la responsabilidad:**

El fabricante garantiza que en la fecha de compra este producto cumplirá con las especificaciones del fabricante para este producto (que el fabricante pone a su disposición si se solicitan). Esta garantía limitada se extiende por sesenta (60) meses a partir de la fecha de compra.

EL DAÑO A LAS PIEZAS O LOS PRODUCTOS CAUSADO POR LA ALTERACIÓN, ACCIDENTE, ABUSO, MAL USO, NEGLIGENCIA, MODIFICACIONES NO AUTORIZADAS, FUEGO U OTRO PELIGRO; INSTALACIÓN U OPERACIÓN INCORRECTAS; O NO REALIZAR EL MANTENIMIENTO DE ACUERDO CON LOS PROCEDIMIENTOS DE MANTENIMIENTO ESTABLECIDOS EN LAS INSTRUCCIONES DE INSTALACIÓN Y DE OPERACIÓN DEL FABRICANTE ANULA ESTA Garantía LIMITADA.

### **Exclusión de otras garantías:**

EL FABRICANTE NO OFRECE NINGUNA OTRA GARANTÍA, EXPRESA O IMPLÍCITA. LAS GARANTÍAS IMPLÍCITAS DE COMERCIABILIDAD, CALIDAD O IDONEIDAD PARA UN OBJETIVO PARTICULAR, O QUE SURJAN DE UNA TRANSACCIÓN, USO O PRÁCTICA DE COMERCIO QUEDAN EXCLUIDAS POR MEDIO DE LA PRESENTE Y NO SERÁN VÁLIDAS PARA EL PRODUCTO, Y SE ANULAN POR MEDIO DE LA PRESENTE, EXCEPTO EN LA MEDIDA EN QUE LO PROHÍBAN LAS LEYES VIGENTES. LAS DECLARACIONES VERBALES O REPRESENTACIONES SOBRE EL PRODUCTO NO CONSTITUYEN GARANTÍAS.

### **Compensaciones y restricción de la responsabilidad:**

LA ÚNICA RESPONSABILIDAD DEL FABRICANTE Y LA ÚNICA Y EXCLUSIVA COMPENSACIÓN DEL COMPRADOR EN VIRTUD DE UN CONTRATO, POR ILÍCITO CIVIL O SEGÚN CUALQUIER SUPUESTO EN CONTRA DEL FABRICANTE RESPECTO AL PRODUCTO Y SU USO SERÁ EL REEMPLAZO O LA REPARACIÓN DEL PRODUCTO, O EL REEMBOLSO DEL PRECIO DE COMPRA PAGADO QUE HAYA PAGADO EL COMPRADOR POR EL PRODUCTO QUE NO CUMPLE CON LOS REQUISITOS. EN NINGÚN CASO LA RESPONSABILIDAD DEL FABRICANTE QUE SURJA DE ESTA GARANTÍA LIMITADA O POR CUALQUIER OTRA RECLAMACIÓN RELACIONADA CON LOS PRODUCTOS DEL FABRICANTE EXCEDERÁ LA CANTIDAD QUE EL COMPRADOR PAGÓ POR EL PRODUCTO EN EL MOMENTO DE LA COMPRA ORIGINAL. EN NINGÚN CASO EL FABRICANTE SERÁ RESPONSABLE POR LUCRO CESANTE, EL COSTO DE LA SUSTITUCIÓN DEL EQUIPO O LA MANO DE OBRA, DAÑOS A LA PROPIEDAD U OTROS DAÑOS ESPECIALES, CONSECUENCIALES O INCIDENTALES QUE SE BASEN EN CUALQUIER RECLAMACIÓN POR INCUMPLIMIENTO DE CONTRATO, INSTALACIÓN INAPROPIADA, NEGLIGENCIA O DE OTRO TIPO, INCLUSO SI SE LE HA INFORMADO AL FABRICANTE O A UN REPRESENTANTE DEL FABRICANTE SOBRE LA POSIBILIDAD DE QUE OCURRAN TALES DAÑOS. EL FABRICANTE NO TENDRÁ NINGUNA OTRA OBLIGACIÓN O RESPONSABILIDAD CON RESPECTO AL PRODUCTO O SU VENTA, OPERACIÓN Y USO, Y EL FABRICANTE NO ASUME NI AUTORIZA EL SUPUESTO DE CUALQUIER OTRA OBLIGACIÓN O RESPONSABILIDAD EN RELACIÓN CON DICHO PRODUCTO.

Esta garantía limitada define derechos legales específicos. Usted puede tener otros derechos legales que varían de una jurisdicción a otra. Algunas jurisdicciones no permiten la exclusión ni la limitación de daños incidentales o consecuenciales.



833 West Diamond St, Boise, Idaho 83705

**Servicio Al Cliente** EE.UU. 800-635-5900

Reino Unido +44 (0)113 237 5340 | AUS +61 (0)3 63322444

**ECCOESG.com**

**ECCO®**

# Instructions d'installation et d'utilisation Éclairage de pont, de tableau de bord et de pare-soleil de la série ED5051 VDL

POUR UN USAGE INTÉRIEUR UNIQUEMENT

**IMPORTANT!** Lisez toutes les instructions avant d'installer et d'utiliser le produit. Installateur : ce manuel doit être remis à l'utilisateur final.

**AVERTISSEMENT!**

Lisez toutes les instructions avant d'installer et d'utiliser le produit. Installateur : ce manuel doit être remis à l'utilisateur final.



**N'installez pas et/ou n'utilisez pas ce produit de sécurité avant d'avoir lu et compris les consignes de sécurité fournies.**

1. Pour garantir votre sécurité et celle des autres, il est essentiel que le produit soit correctement installé et que l'opérateur soit formé à l'utilisation, l'entretien et la maintenance des dispositifs d'avertissement d'urgence.
2. Manipulez les connexions électriques sous tension avec prudence.
3. Ce produit doit être correctement mis à la masse. Une mise à la masse inadéquate ou un court-circuit des connexions électriques peut provoquer l'apparition d'un arc électrique haute tension, susceptible de causer des blessures corporelles ou des dommages graves sur le véhicule, ainsi qu'un incendie.
4. Une installation et un positionnement corrects sont essentiels au bon fonctionnement de ce dispositif d'avertissement. Installez ce produit de manière à optimiser les performances de sortie du système et de sorte que les commandes soient à portée de main de l'opérateur, afin qu'il puisse utiliser le système sans perdre le contact visuel avec la chaussée.
5. N'installez pas ce produit dans la zone de déploiement d'un airbag ; n'acheminez pas non plus de câbles dans cette zone. Tout équipement monté ou situé dans la zone de déploiement d'un airbag est susceptible de réduire l'efficacité de cet airbag ou de devenir un projectile pouvant causer des blessures graves, voire mortelles. Reportez-vous au manuel d'utilisation du véhicule pour en savoir davantage sur la zone de déploiement de l'airbag. Il incombe à l'utilisateur/à l'opérateur de définir un emplacement de montage approprié assurant la sécurité de tous les passagers à l'intérieur du véhicule, en évitant en particulier les zones d'impact potentiel de la tête.
6. Il incombe à l'opérateur du véhicule de s'assurer que toutes les fonctionnalités de ce produit fonctionnent correctement au cours de l'utilisation. Lorsque le produit est en cours d'utilisation, l'opérateur du véhicule doit s'assurer que le signal d'avertissement n'est pas inhibé par des composants du véhicule (comme un coffre ou des portes de compartiment ouverts), des personnes, des véhicules ou d'autres éléments.
7. L'utilisation de ce dispositif d'avertissement ou de tout autre dispositif similaire ne garantit pas que tous les conducteurs observeront un signal d'avertissement ou réagiront à ce signal. Ne prenez jamais la priorité pour acquise. Il est de votre responsabilité de vous assurer que vous pouvez vous déplacer en toute sécurité avant de vous engager dans une intersection, de conduire en sens inverse de la circulation, de réagir à une vitesse élevée et de marcher sur ou autour des voies de circulation.
8. Cet équipement est destiné uniquement au personnel autorisé. Il incombe à l'utilisateur de comprendre et de respecter toutes les lois relatives aux dispositifs de signalisation d'avertissement. Par conséquent, l'utilisateur doit s'informer sur toutes les lois et réglementations en vigueur dans la ville, la région et le pays où il se trouve. Le fabricant décline toute responsabilité en cas de perte découlant de l'utilisation de ce dispositif d'avertissement.

<b>Taille</b>	ED5051VDL1	Tête d'éclairage uniquement : 5,88 L x 1,56 P x 0,75 H Tête d'éclairage avec déflecteur : 6,5 L x 2,88 P x 1,0 H
	ED5051VDL2	Tête d'éclairage uniquement : 11,4 L x 1,6 P x 0,75 H Tête d'éclairage avec déflecteur : 12,1 L x 3,0 P x 1,0 H
<b>Poids</b>	ED5051VDL1	0,43 kg (0,95 lb)
	ED5051VDL2	0,8 kg (1,7 lb)
<b>Tension d'entrée</b>		12 à 24 V c. c
<b>Courant</b>	ED5051VDL1	0,86 A (à 12 V c. c. nominal)
	ED5051VDL2	1,7 A (à 12 V c. c. nominal)
<b>Puissance</b>	ED5051VDL1	11,0 W (à 12 V c. c. nominal)
	ED5051VDL2	21,1 W (à 12 V c. c. nominal)
<b>Plage de températures</b>		de -40°C a 65°C de -40°F a 149°F

## Installation et montage:

**Remarque:** l'image présentée est un produit ED5051VDL2. Utilisez les mêmes instructions d'installation et de montage pour la série de produits ED5051VDL1.

Retirer délicatement l'appareil de son emballage. Vérifier que l'appareil n'a pas été endommagé pendant le transport. En cas de dommage, renvoyer le produit à son détaillant local pour qu'il soit remplacé au titre de la garantie. Ne pas utiliser de pièces endommagées ou cassées. Déterminer un emplacement de montage qui garantit une portée optique dégagée pour la circulation venant en sens inverse.



### Attention:

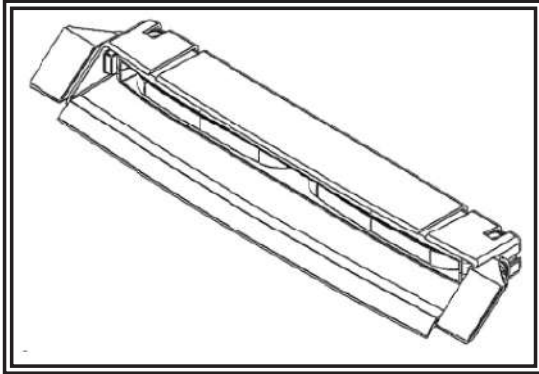
Lors du perçage dans toute surface d'un véhicule, s'assurer qu'il n'y a aucun fil électrique, aucune conduite de carburant, aucune garniture du véhicule, etc. susceptible d'être endommagé.



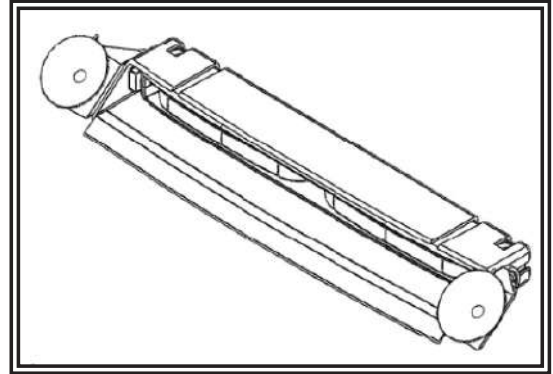
### Attention:

Lors de l'installation du ruban adhésif VHB sur un véhicule équipé d'une vitre teintée en après-vente, il est recommandé de découper le film autour de la surface sur laquelle le support sera monté afin d'assurer l'adhérence et d'éviter d'endommager la vitre teintée.

## Montage avec déflecteur:



**Figure 1**



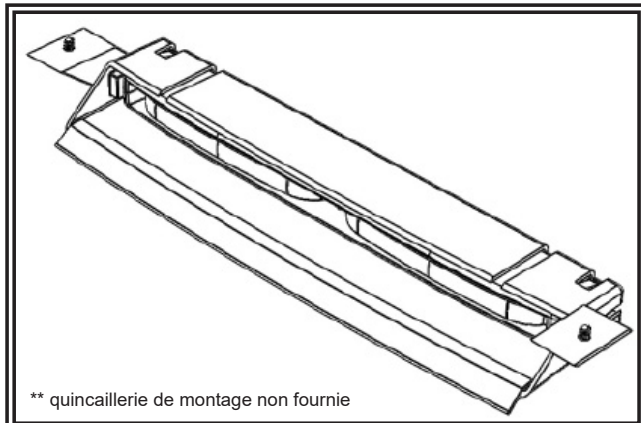
**Figure 2**

### MONTAGE AVEC RUBAN ADHÉSIF VHB :

1. S'assurer que la tête d'éclairage est correctement fixée au déflecteur.
2. Poser le joint en caoutchouc sur le déflecteur.
3. Retirer la ventouse de chaque support de déflecteur.
4. Nettoyer les supports avec la lingette à base d'alcool fournie. \*pour une adhérence supplémentaire, voir les notes ci-dessous.
5. Retirer un côté du revêtement adhésif et l'appliquer aux deux supports. Appliquez une légère pression pendant 20 secondes.
6. Installer le support comme indiqué à la figure 6. Serrer doucement l'écrou à la main.
7. SANS retirer le deuxième film adhésif, maintenir le produit à l'emplacement souhaité. Desserrer et serrer à la main l'écrou selon les besoins pour régler l'angle de la tête d'éclairage. Une fois l'angle souhaité atteint, serrer doucement l'écrou de la vis à l'aide d'une clé ou d'une douille de 10 mm.
8. Nettoyez la surface de montage avec la lingette à base d'alcool fournie. \*pour une adhérence supplémentaire, voir les notes ci-dessous.
9. Déposer le deuxième film adhésif.
10. Appliquez le produit sur la surface traitée. Appliquez une légère pression pendant 20 secondes.

### MONTAGE AVEC VENTOUSE :

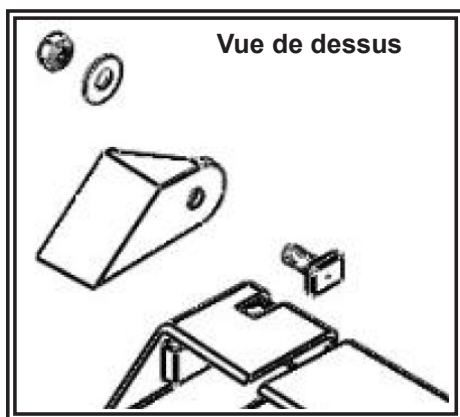
1. S'assurer que la tête d'éclairage est correctement fixée au déflecteur.
2. Installer le support de déflecteur comme indiqué à la figures 4 & 5. Serrer doucement l'écrou à la main.
3. Nettoyez la surface de montage avec la lingette à base d'alcool fournie.
4. Appliquer le produit sur la surface traitée en appuyant doucement sur les ventouses sur le verre. Appliquez une légère pression pendant 20 secondes. Régler doucement la tête d'éclairage à l'angle souhaité si nécessaire.
5. Une fois l'angle souhaité atteint, serrer doucement l'écrou de la vis à l'aide d'une clé ou d'une douille de 10 mm.



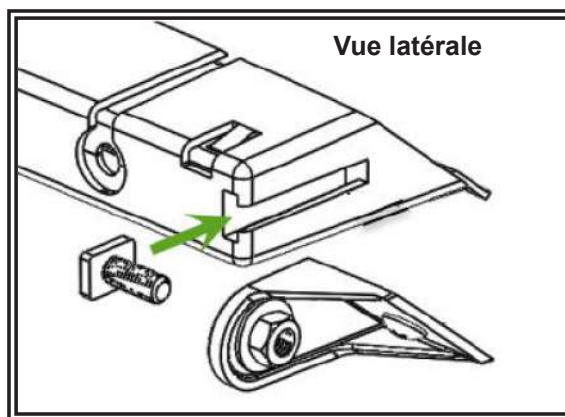
**Figure 3**

### MONTAGE AVEC VENTOUSE (QUINCAILLERIE NON FOURNIE):

1. Assurez-vous que la tête d'éclairage est correctement fixée sur la coque.
2. Montez le support de la coque comme indiqué dans la fig. 6. Serrez doucement l'écrou à la main.
3. Nettoyez la surface de montage avec la lingette imbibée d'alcool fournie.
4. Montez le produit sur la surface traitée à l'aide d'une vis de fixation n° 8 (non fournie). Serrez les vis à 8 ±2 in-lbs.
5. Orientez doucement la tête d'éclairage selon l'angle souhaité, si nécessaire.
6. Une fois l'angle souhaité atteint, serrez doucement l'écrou de la vis à l'aide d'une clé ou d'une douille de 10 mm (0,40").

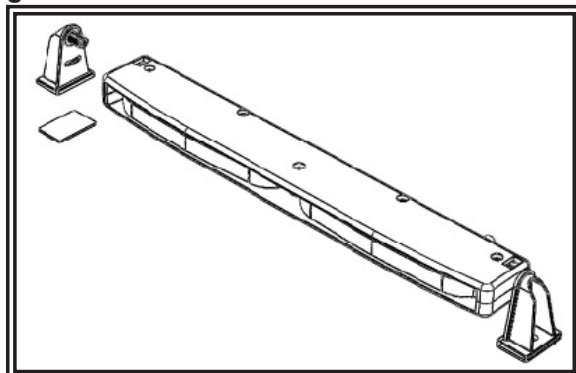


**Figure 4**

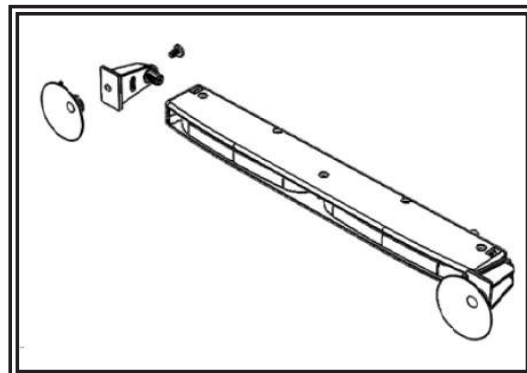


**Figure 5**

**Montage standard sans déflecteur:**



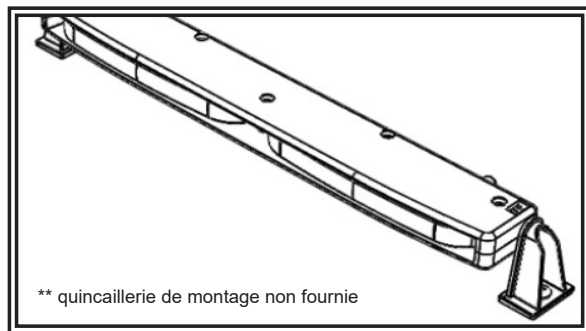
**Figure 6**



**Figure 7**

**MONTAGE AVEC RUBAN ADHÉSIF VHB:**

1. Retirer avec précaution la tête d'éclairage du déflecteur.  
ATTENTION : relâcher doucement les languettes de verrouillage pour éviter de les casser comme illustré à la Figure A.
2. Nettoyer les supports de la tête d'éclairage avec la lingette à base d'alcool fournie. \*pour une adhérence supplémentaire, voir les notes ci-dessous.
3. Retirer un côté du revêtement adhésif et l'appliquer aux deux supports. Appliquez une légère pression pendant 20 secondes.
4. Insérer le support comme indiqué à la Figure B.
5. SANS retirer le deuxième film adhésif, maintenir le produit à l'emplacement souhaité. Ajuster la tête d'éclairage à l'angle souhaité en ajustant le support.
6. Nettoyez la surface de montage avec la lingette à base d'alcool fournie. \*pour une adhérence supplémentaire, voir les notes ci-dessous.
7. Déposer le deuxième film adhésif.
8. Appliquez le produit sur la surface traitée. Appliquez une légère pression pendant 20 secondes.
9. Insérer les vis fournies dans le mécanisme de verrouillage de la tête d'éclairage, comme indiqué à la figure 3. Cela permet de maintenir les supports en position et la tête d'éclairage à l'angle souhaité.



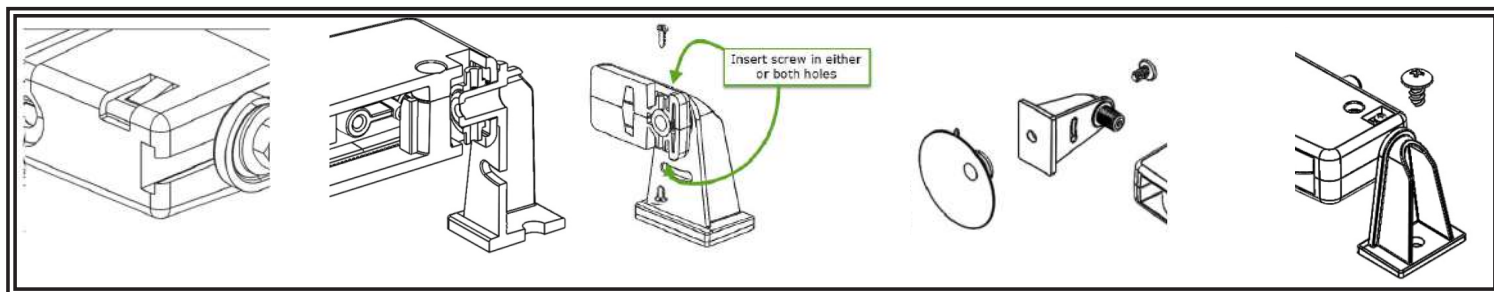
**Figure 8**

**MONTAGE AVEC VENTOUSE:**

1. Retirer avec précaution la tête d'éclairage du déflecteur.  
ATTENTION : relâcher doucement les languettes de verrouillage pour éviter de les casser comme illustré à la Figure A.
2. Retirer les ventouses des supports de montage de déflecteur.
3. Installer chaque ventouse sur chaque support à l'aide des vis existantes, comme indiqué à la Figure C.
4. Insérer le support comme indiqué à la Figure B.
5. Nettoyez la surface de montage avec la lingette à base d'alcool fournie.
6. Appliquez le produit sur la surface traitée en appuyant doucement sur les ventouses sur le verre. Appliquez une légère pression pendant 20 secondes. Réglez doucement la tête d'éclairage à l'angle souhaité si nécessaire.
7. Insérer les vis fournies dans le mécanisme de verrouillage de la tête d'éclairage comme indiqué à la Figure C. Cela permet de maintenir les supports en position et la tête d'éclairage à l'angle souhaité.

**MONTAGE AVEC QUINCAILLERIE (QUINCAILLERIE NON FOURNIE):**

1. Retirer avec précaution la tête d'éclairage du déflecteur.  
ATTENTION : relâcher doucement les languettes de verrouillage pour éviter de les casser comme illustré à la Figure A.
2. Insérer le support de la tête d'éclairage comme indiqué à la Figure B.
3. Maintenir le produit à l'emplacement souhaité. Ajuster la tête d'éclairage à l'angle souhaité en ajustant le support.
4. Nettoyez la surface de montage avec la lingette à base d'alcool fournie.
5. Installer le produit sur la surface traitée à l'aide de la vis de fixation n° 8 (non fournie) comme indiqué à la Figure E. Serrez les vis à 8 ±2 in-lbs.
6. Insérer les vis fournies dans le mécanisme de verrouillage de la tête d'éclairage, comme indiqué à la figure 3. Cela permet de maintenir les supports en position et la tête d'éclairage à l'angle souhaité.



**Figure A**

**Figure B**

**Figure C**

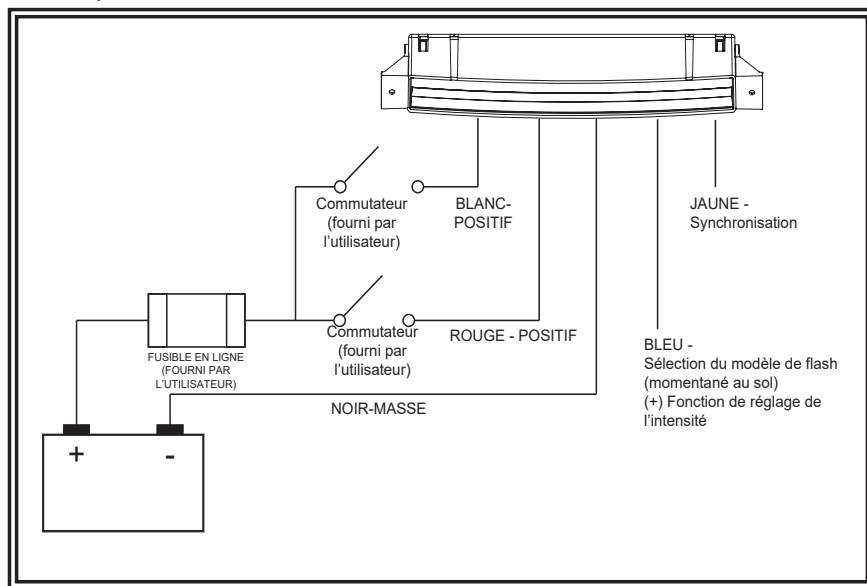
**Figure D**

**Figure E**

**Instructions de câblage:**

Tout le câblage doit être toronné et d'un calibre minimal de 20 AWG. La ligne positive doit être dotée d'un fusible en ligne à action retardée de 3 A pour chaque DEL directionnelle, comme illustré à la FIGURE 9. Isolez les fils jaune et bleu lorsqu'ils ne sont pas utilisés.

**IMPORTANT! Cet appareil est un dispositif de sécurité et doit être branché à son propre point d'alimentation protégé par fusible pour garantir son fonctionnement continu en cas de défaillance d'un autre accessoire accesorio eléctrico falla.électrique.**



**Figure 9**

**CONFIGURATION DU CÂBLE ILLUSTRÉ**

**Sélection du schéma de clignotement:**

Pour sélectionner un effet de clignotement, mettez sous tension les fils ROUGE ou BLANC ou les fils ROUGE et BLANC. Appliquer le fil bleu sur le fil noir pour modifier le schéma de clignotement:

Temps de poussée	Fonction
0 à 1 secondes	prochain schéma
1 à 3 secondes	schéma précédent
3 à 5 secondes	schéma d'usine par défaut
plus de 5 secondes	dernier schéma

**Fonction de réglage de l'intensité:**

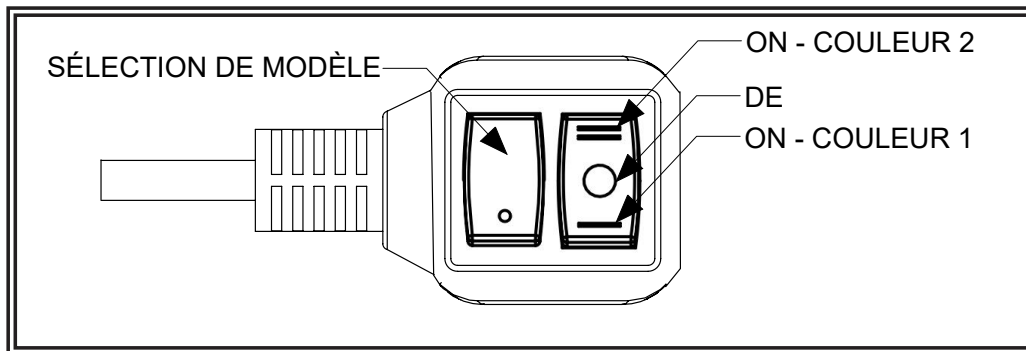
Connecter le fil bleu au fil d'alimentation rouge.

**Synchronisation:**

La série ED5051VDL est capable de se synchroniser avec d'autres produits ECCO compatibles en suivant ces étapes:

1. Régler le schéma de clignotement souhaité sur chaque unité individuellement. Il est aussi fortement recommandé d'utiliser le même style d'effet de clignotement sur toutes les unités pour produire l'avertissement le plus efficace. Remarque : les phases A et B pour chaque style d'effet de clignotement dans le tableau indiquent la synchronisation relative entre les unités branchées dans une installation synchronisée. Pour fonctionner simultanément, chaque unité doit être réglée sur la même phase (A + A ou B + B); pour fonctionner en alternance, les unités doivent être réglées pour sur des phases opposées (A + B ou B + A).
2. Brancher les fils de synchronisation jaunes ensemble et vérifier que les unités clignotent de manière synchronisée comme prévu. Si l'effet d'une unité semble incorrect, le fil bleu de sélection de l'effet peut être utilisé pour faire défiler les effets précédents ou subséquents sur cette unité jusqu'à ce que l'effet correct soit sélectionné. REMARQUE : cette mesure modifie uniquement l'effet d'une unité et ne touche pas aux autres unités branchées au fil de synchronisation jaune.

Sélection du modèle de clignotement(ADAPTATEUR CIGARETTE):



### **Garantie limitée du fabricant et limitation de responsabilité :**

Le Fabricant garantit qu'à la date de l'achat, ce produit est conforme aux spécifications du Fabricant le concernant (qui sont disponibles sur demande auprès du Fabricant). Cette Garantie limitée s'étend sur soixante (60) mois à compter de la date d'achat.

LES DOMMAGES À DES PIÈCES OU À DES PRODUITS RÉSULTANT D'UNE ALTÉRATION, D'UN ACCIDENT, D'UN ABUS, D'UNE NÉGLIGENCE, DE MODIFICATIONS NON AUTORISÉES, D'UN INCENDIE OU DE TOUT AUTRE DANGER ; DE L'INSTALLATION OU D'UNE UTILISATION INCORRECTE ; OU D'UN DÉFAUT D'ENTRETIEN CONFORME AUX PROCÉDURES DE MAINTENANCE DÉCRITES DANS LES CONSIGNES D'INSTALLATION ET D'UTILISATION DU FABRICANT ANNULENT CETTE GARANTIE LIMITÉE.

### **Exclusion d'autres garanties :**

LE FABRICANT N'ÉMET AUCUNE AUTRE GARANTIE, QU'ELLE SOIT EXPRESSE OU IMPLICITE. LES GARANTIES IMPLICITES DE QUALITÉ MARCHANDE, DE QUALITÉ OU D'ADAPTATION À UN OBJECTIF PARTICULIER, OU DÉCOULANT D'UNE TRANSACTION, D'UN USAGE OU DE PRATIQUES COMMERCIALES, SONT EXCLUES PAR LES PRÉSENTES, NE S'APPLIQUERONT PAS AU PRODUIT, ET SONT DÉCLINÉES PAR LES PRÉSENTES, EXCEPTÉ DANS LA MESURE INTERDITE PAR LA LÉGISLATION EN VIGUEUR. LES DÉCLARATIONS ORALES OU AUTRES DÉCLARATIONS CONCERNANT LE PRODUIT NE CONSTITUENT PAS DES GARANTIES.

### **Recours et limitation de responsabilité :**

LA SEULE RESPONSABILITÉ DU FABRICANT ET LE RECOURS EXCLUSIF DE L'ACHETEUR CONTRE LE FABRICANT, PAR CONTRAT, EN CAS DE DÉLIT (Y COMPRIS LA NÉGLIGENCE), OU SELON TOUTE AUTRE THÉORIE, EN CE QUI CONCERNE LE PRODUIT ET SON UTILISATION, SE LIMITERONT, À LA DISCRÉTION DU FABRICANT, AU REMPLACEMENT OU À LA RÉPARATION DU PRODUIT, OU AU REMBOURSEMENT DU PRIX D'ACHAT PAYÉ PAR L'ACHETEUR POUR LE PRODUIT NON CONFORME. EN AUCUN CAS LA RESPONSABILITÉ DU FABRICANT DÉCOULANT DE CETTE GARANTIE LIMITÉE OU DE TOUTE AUTRE RÉCLAMATION RELATIVE AUX PRODUITS DU FABRICANT NE DÉPASSERA LE MONTANT PAYÉ PAR L'ACHETEUR POUR LE PRODUIT AU MOMENT DE L'ACHAT INITIAL. EN AUCUN CAS LE FABRICANT NE POURRA ÊTRE TENU POUR RESPONSABLE DE LA PERTE DE PROFITS, DU COÛT DE L'ÉQUIPEMENT OU DE LA MAIN D'OEUVRE DE REMPLACEMENT, DES DOMMAGES MATÉRIELS, OU D'AUTRES DOMMAGES SPÉCIAUX, CONSÉCUTIFS OU INCIDENTS EN SE BASANT SUR UNE RÉCLAMATION POUR RUPTURE DE CONTRAT, INSTALLATION INAPPROPRIÉE, NÉGLIGENCE OU TOUTE AUTRE RÉCLAMATION, MÊME SI LE FABRICANT OU UN REPRÉSENTANT DU FABRICANT A ÉTÉ AVERTI DE LA POSSIBILITÉ DE TELS DOMMAGES. LE FABRICANT N'A AUCUNE AUTRE OBLIGATION OU RESPONSABILITÉ EN CE QUI CONCERNE LE PRODUIT OU SA VENTE, SON FONCTIONNEMENT ET SON UTILISATION, ET LE FABRICANT N'ASSUME NI N'AUTORISE EN AUCUN CAS L'HYPOTHÈSE D'UNE AUTRE OBLIGATION OU RESPONSABILITÉ EN RELATION AVEC CE PRODUIT.

Cette Garantie limitée définit des droits légaux spécifiques. Vous pouvez avoir d'autres droits légaux qui varient d'une juridiction à l'autre. Certaines juridictions ne permettent pas l'exclusion ou la limitation des dommages indirects ou consécutifs.



833 West Diamond St, Boise, Idaho 83705

**Le Service Client** États-Unis 800-635-5900

Royaume-Uni +44 (0)113 237 5340 | AUS +61 (0)3 63322444

**ECCOESG.com**