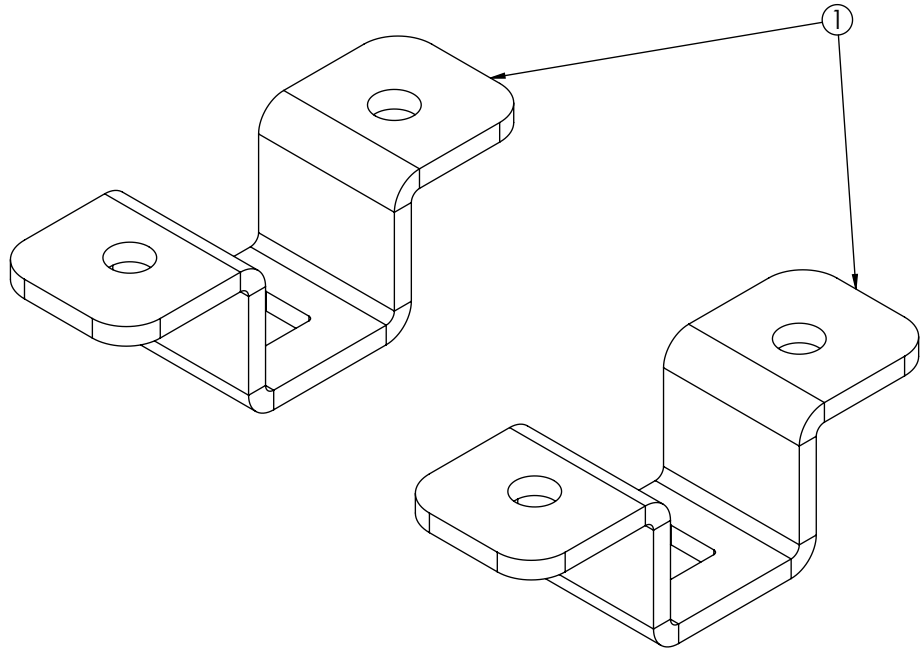


REVISION HISTORY		
REV.	DESCRIPTION	DATE
01	PRELIMINARY RELEASE PER EP0135	2021-03-29
02	REVISED PER EP0135	2021-04-05
A	INITIAL RELEASE PER EP0135	2021-04-14



ITEM NO.	QTY.	DESCRIPTION	COMMENTS
1	2	BRACKET SHEET, SS, REFLEXL RACK MOUNT	
2	1	BOX, 4-1/16 X 2-7/8 X 1-7/8, .018, WCCKB	NOT SHOWN

SCALE 1:1		APPROVALS	DATE
CAD GENERATED DRAWING DO NOT MANUALLY UPDATE. MODEL REFERENCED: 01		DRAWN BY BTK	2021-04-05
		CHECKED MDH	2021-04-06
TOLERANCES ARE IN INCHES, AND MILLIMETERS TOLERANCES UNLESS OTHERWISE STATED ARE:		MECH. ENG. NMT	2021-04-08
		ELEC. ENG.	
MILLIMETERS DECIMALS XX. ± 1.0mm XX.X ± 0.5mm	INCHES DECIMALS X.X ± 0.1 X.XX ± 0.04 X.XXX ± 0.02	ANGLES ± 0.5°	
	FRACTIONS ± 1/64	TEST ENG.	
		SALES.	
THIRD ANGLE PROJECTION			


**ECCO**® [www.eccolink.com](http://www.eccolink.com)  
 Americas (800) 635-5900 | Europe +44 (0)113 237 5340 | Asia Pacific +61 (0)3 63322444

**11 SERIES, HEADACHE RACK MOUNT KIT**

CUSTOMER PART NO. <b>EZ11HRM</b>		REV.	<b>A</b>
SIZE: <b>A</b>	DWG. NO. <b>EZ11HRM</b>		
SHEET 1 OF 1		Project: EP0135	Date Created: 2021-03-29

PROPRIETARY AND CONFIDENTIAL INFORMATION

THIS DRAWING AND THE DESIGN AND OTHER INFORMATION DISCLOSED HEREIN ARE THE PROPERTY OF ELECTRONIC CONTROLS COMPANY AND/OR ITS ECCO SAFETY GROUP AFFILIATES ("ECCO") AND IS ISSUED IN CONFIDENCE TO RECIPIENT FOR ENGINEERING INFORMATION PURPOSES ONLY. THIS DRAWING AND THE DESIGN AND OTHER INFORMATION DISCLOSED HEREIN MAY NOT BE USED, COPIED, REPRODUCED OR OTHERWISE DISCLOSED IN PART OR IN WHOLE TO THIRD PARTIES OR USED FOR ANY OTHER PURPOSE WITHOUT PRIOR ECCO WRITTEN CONSENT. ECCO RESERVES ALL PATENT, COPYRIGHT, TRADEMARK AND OTHER PROPRIETARY RIGHTS TO THIS DOCUMENT, INCLUDING ALL DESIGN, MANUFACTURING, REPRODUCTION, USE AND SALES RIGHTS THERETO. THIS DRAWING IS SUBJECT TO RECALL BY ECCO AT ANY TIME, AND YOUR POSSESSION AND/OR USE CONSTITUTES ACCEPTANCE OF THESE TERMS. ©2021 ELECTRONIC CONTROLS COMPANY

Electronically Controlled Use Latest Copy