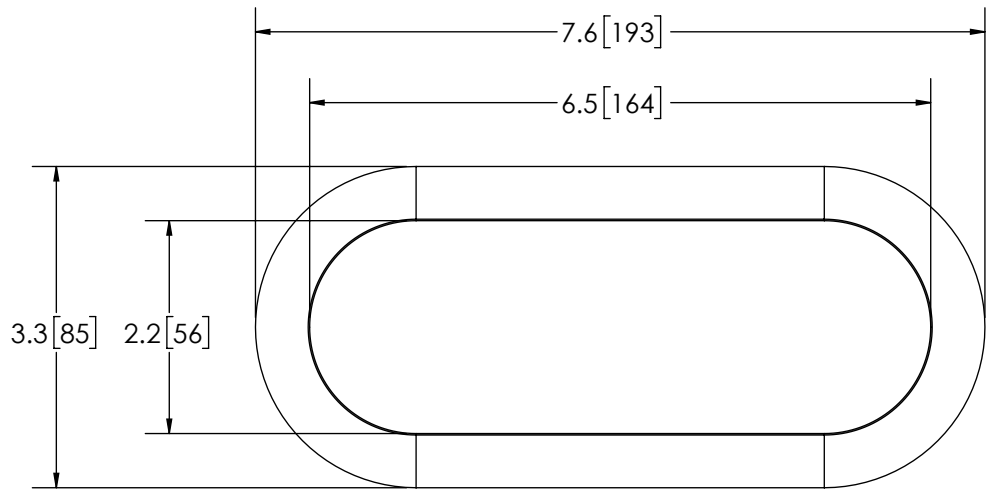
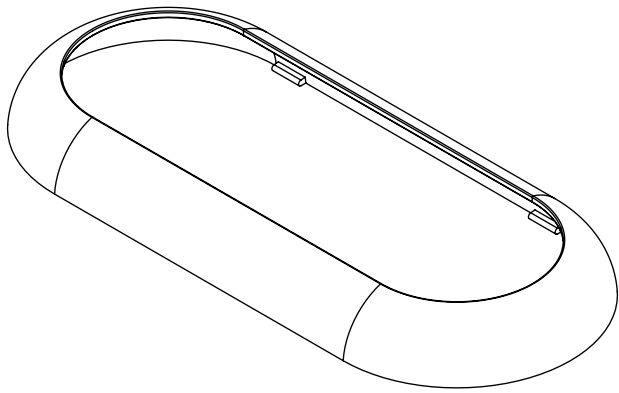


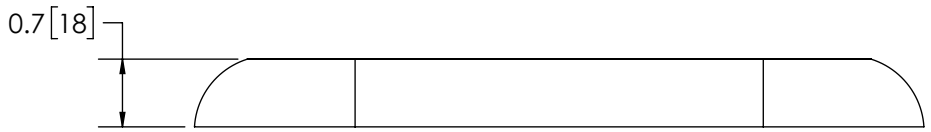
REVISION HISTORY		
REV.	DESCRIPTION	DATE
01	PRELIMINARY RELEASE PER EB0002	2022-03-31
02	REVISED PER EB0002	2022-04-20
A	INITIAL RELEASE PER EB0002	2022-04-25



**TOP VIEW**



**ISOMETRIC VIEW**



**FRONT VIEW**

ITEM NO.	Default	DESCRIPTION	COMMENTS
1	1	BEZEL,SST,SNAP-ON,CHROME	
2	1	BOX,POP,3.94x1.18x8.27,EZ3080	NOT SHOWN

- NOTES:**
- ROHS COMPLIANT
  - DIMENSIONS IN INCHES[MILLIMETERS (FOR REFERENCE)]

SCALE 1:2		APPROVALS	DATE
CAD GENERATED DRAWING DO NOT MANUALLY UPDATE.		DRAWN BY JW	2022-04-20
TOLERANCES ARE IN INCHES, AND MILLIMETERS TOLERANCES UNLESS OTHERWISE STATED ARE:		CHECKED BTK	2022-04-22
MILLIMETERS DECIMALS XX. ± 1.0mm XX.X ± 0.5mm		MECH. ENG. JLA	2022-04-20
INCHES DECIMALS X.X ± 0.1 X.XX ± 0.04 X.XXX ± 0.02		ELEC. ENG.	
ANGLES ± 0.5°		TEST ENG.	
FRACTIONS ± 1/64		SALES.	
THIRD ANGLE PROJECTION		ELECTRONICALLY CONTROLLED USE LATEST COPY	

**ECCO** www.eccolink.com  
Americas (800) 635-5900 | Europe +44 (0)113 237 5340 | Asia Pacific +61 (0)3 63322444

**ACCESSORY, BEZEL, ED3080XX, CHROME**

CUSTOMER PART NO. <b>EZ3080BZC</b>		REV.
SIZE: A	DWG. NO. <b>EZ3080BZC</b>	A
SHEET 1 OF 1	Project: EB0002	Date Created: 2022-03-31

PROPRIETARY AND CONFIDENTIAL INFORMATION  
THIS DRAWING AND THE DESIGN AND OTHER INFORMATION DISCLOSED HEREIN ARE THE PROPERTY OF ELECTRONIC CONTROLS COMPANY AND/OR ITS ECCO SAFETY GROUP AFFILIATES ("ECCO") AND IS ISSUED IN CONFIDENCE TO RECIPIENT FOR ENGINEERING INFORMATION PURPOSES ONLY. THIS DRAWING AND THE DESIGN AND OTHER INFORMATION DISCLOSED HEREIN MAY NOT BE USED, COPIED, REPRODUCED OR OTHERWISE DISCLOSED IN PART OR IN WHOLE TO THIRD PARTIES OR USED FOR ANY OTHER PURPOSE WITHOUT PRIOR ECCO WRITTEN CONSENT. ECCO RESERVES ALL PATENT, COPYRIGHT, TRADEMARK AND OTHER PROPRIETARY RIGHTS TO THIS DOCUMENT, INCLUDING ALL DESIGN, MANUFACTURING, REPRODUCTION, USE AND SALES RIGHTS THERETO. THIS DRAWING IS SUBJECT TO RECALL BY ECCO AT ANY TIME, AND YOUR POSSESSION AND/OR USE CONSTITUTES ACCEPTANCE OF THESE TERMS. ©2022 ELECTRONIC CONTROLS COMPANY