

# RECOMMENDED MOUNTING INSTRUCTIONS FOR ALL MINILP *PERMANENT MOUNT* SERIES LIGHT BARS

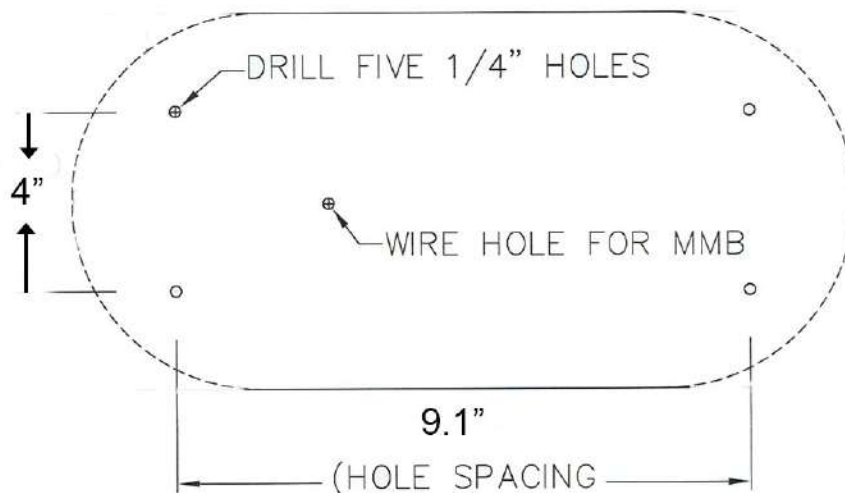
**\*\*\*Proper installation of this product is the sole responsibility of the installer\*\*\***

Size of mini-bar: 13.5" wide x 9.5" deep x 2.75" tall

1. Locate a flat surface on vehicle and position light parallel to the ground.
2. In the interior of the vehicle, loosen upholstery at mounting location. For non-roof mounts adapt bolt pattern to surface provided.
3. Use center-punch if available to start five (5) holes. Four (4) holes should be positioned following the mini-bar layout described below. A fifth hole should be punched and drilled for the wire feed. Drill out all five (5) holes with a 1/4" drill.
4. Insert wire through center hole and position mounting bolts in holes.
5. Connect **red wire** to power (+) and **black wire** to ground (-) if provided.
6. Follow wiring instructions for a switch if provided ----- TEST LIGHT
7. Install washers and hex nuts and tighten down mounting bolts until gasket seals light to the surface of the vehicle.
8. Replace upholstery to original position if applicable.

**FOR MINILPD-X INSTALLATIONS, SET BOTH UNITS ON THE SAME PATTERN AND CONNECT THE WHITE WIRES FOR ALTERNATING FLASH PATTERNS**

PROBLEMS INSTALLING YOUR LIGHT OR LIGHT NOT WORKING?  
**DO NOT RETURN LIGHT TO PLACE OF PURCHASE!!!!** PLEASE REFER TO BACK OF THIS SHEET FOR REPAIR/WARRANTY INSTRUCTIONS



**To change patterns (MINILP) flip mini-bar over and press button on the base:  
To change patterns (MINILPMR4) use pattern-changing dash-mount button:**

1. Revolving pattern
2. Hyper-Flash, all lamps
3. Six Flash - all lamps
4. Slow single flash, all lamps
5. Alternating single flash, side to side
6. Quad flash, all lamps

**\*\*\*\*\*CLEAN DOME WITH WATER ONLY\*\*\*\*\***