



► Model AD-28X-MV

Atkinson Dynamics Hazardous Location Wall Mount Intercom

Designed for single-channel, two-way indoor and outdoor communication applications, the Hazardous Location Wall-Mount Intercoms are UL and cUL listed. Features include integrated volume control, Talk/Listen switch, corrosion resistant cast aluminum housing with rugged powder coat finish (Type 4X, IP65 enclosure), reliable 25-watt speaker and balanced line output. These heavy-duty units are UL and cUL Listed, CSA Certified and Marine rated and are designed for multi-voltage operation: 24VDC, 120VAC and 240 VAC, 50/60Hz.

FEATURES

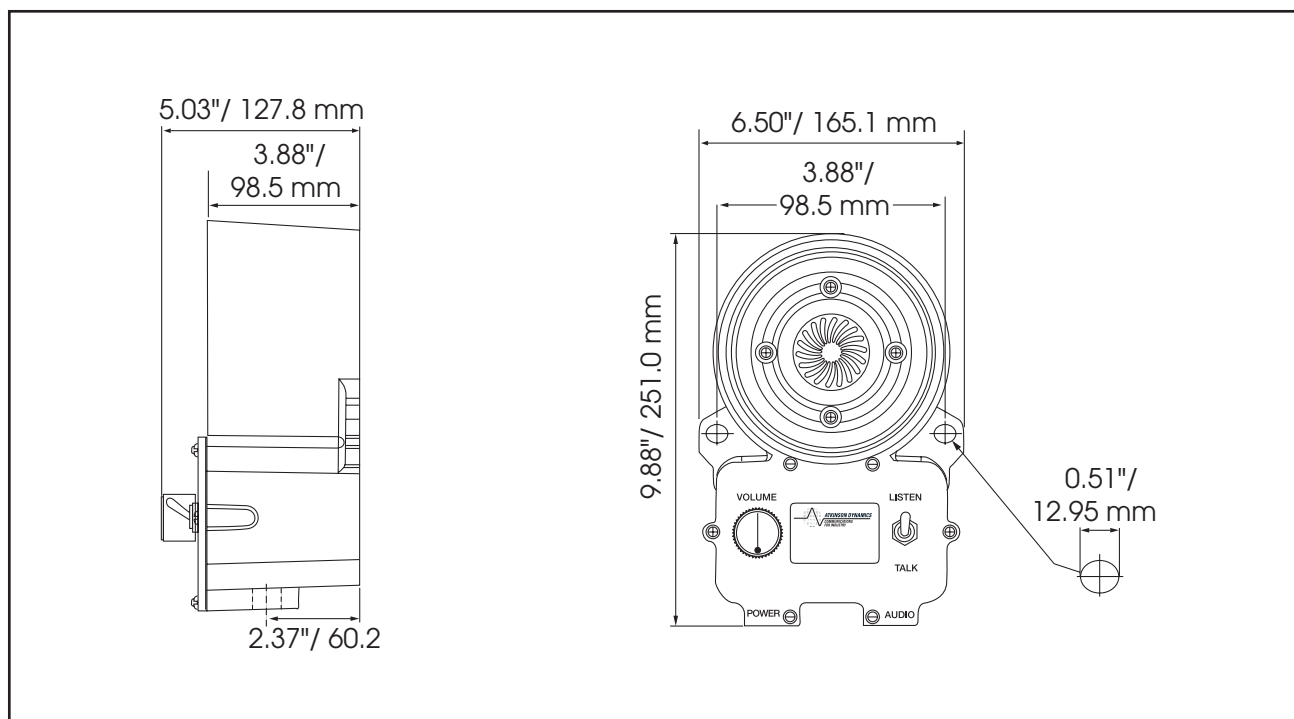
- Heavy-duty industrial intercom for indoor/outdoor applications
- Single channel, two-way communications
- Integrated volume control and Talk/Listen switch
- Call Button
- Balanced line output
- 25 watt speaker
- Cast aluminum housing with rugged powder coat finish
- Multi-voltage operation: 24VDC, 120VAC and 240VAC
- Field configurable primary/secondary operating mode
- Remote power capable @24VDC
- Auxiliary signal activation contact
- Type 4X, IP65 enclosure
- Marine Listed
- CSA Certified
- UL and cUL Listed for Class I, Division 2, Groups A, B, C, and D; Class II, Division 2, Groups F and G; Class III.

MODEL	VOLTAGE	OPERATING CURRENT	STANDBY CURRENT	FREQUENCY RESPONSE
AD-28X-MV	24VDC	260 mA	62 mA	150Hz-12.0kHz
	120VAC 50/60Hz	163 mA	70 mA	150Hz-12.0kHz
	240VAC 50/60Hz	82 mA	35 mA	150Hz-12.0kHz

HAZARDOUS LOCATION RATING: AD-28X-MV

T-CODE AT MAXIMUM AMBIENT TEMPERATURE, °C		
HAZARDOUS LOCATION	40 °C	65 °C
Class I, Division 2, Groups A, B, C, D	T6	T5
Class II, Division 2, Groups F, G	T6	T5
Class III	T6	T5

Atkinson Dynamics Hazardous Location Wall Mount Intercom (AD-28X-MV)



SPECIFICATIONS

Speaker Rating:		25 watt
Operating Temperature:	-31°F to 150°F	-35°C to 66°C
Net Weight:	9.25 lbs	4.20 kg
Shipping Weight:	10.7 lbs	4.85 kg
Dimensions:		
Height	9.88"	251.0 mm
Width	6.50"	165.1 mm
Depth	5.03"	127.8 mm

HOW TO ORDER

Specify Model:

AD-28X-MV – Intercom, hazardous location
24VDC/120VAC/240VAC, wall mount

REPLACEMENT PARTS

Description	Part Number
PC Board assembly	K2001915C-02
Connector, 10 pin	K140A326A-01
Kit, potentiometer	K8590237A
Kit, toggle switch	K122A298A
Kit, call button and boot	K8590241A*
Resistors, 1K, 1W	K101216A
Gasket, rubber	K8590013B-01

* For use with 120VAC or 240VAC operation