

WHELEN[®]

ENGINEERING COMPANY INC.

51 Winthrop Road
Chester, Connecticut 06412-0684
Phone: (860) 526-9504
Internet: www.whelen.com
Sales e-mail: autosale@whelen.com
Customer Service e-mail: custserv@whelen.com

Installation Guide:
WeCanX™ Inner Edge® FST Interior Lightbar

Warnings to Installers

Whelen's emergency vehicle warning devices must be properly mounted and wired in order to be effective and safe. Read and follow all of Whelen's written instructions when installing or using this device. Emergency vehicles are often operated under high speed stressful conditions which must be accounted for when installing all emergency warning devices. Controls should be placed within convenient reach of the operator so that they can operate the system without taking their eyes off the roadway. Emergency warning devices can require high electrical voltages and/or currents. Properly protect and use caution around live electrical connections. Grounding or shorting of electrical connections can cause high current arcing, which can cause personal injury and/or vehicle damage, including fire. Many electronic devices used in emergency vehicles can create or be affected by electromagnetic interference. Therefore, after installation of any electronic device it is necessary to test all electronic equipment simultaneously to insure that they operate free of interference from other components within the vehicle. Never power emergency warning equipment from the same circuit or share the same grounding circuit with radio communication equipment. All devices should be mounted in accordance with the manufacturer's instructions and securely fastened to vehicle elements of sufficient strength to withstand the forces applied to the device. Driver and/or passenger air bags (SRS) will affect the way equipment should be mounted. This device should be mounted by permanent installation and within the zones specified by the vehicle manufacturer, if any. Any device mounted in the deployment area of an air bag will damage or reduce the effectiveness of the air bag and may damage or dislodge the device. Installer must be sure that this device, its mounting hardware and electrical supply wiring does not interfere with the air bag or the SRS wiring or sensors. Mounting the unit inside the vehicle by a method other than permanent installation is not recommended as unit may become dislodged during swerving; sudden braking or collision. Failure to follow instructions can result in personal injury. Whelen assumes no liability for any loss resulting from the use of this warning device. **PROPER INSTALLATION COMBINED WITH OPERATOR TRAINING IN THE PROPER USE OF EMERGENCY WARNING DEVICES IS ESSENTIAL TO INSURE THE SAFETY OF EMERGENCY PERSONNEL AND THE PUBLIC.**

Warnings to Users

Whelen's emergency vehicle warning devices are intended to alert other operators and pedestrians to the presence and operation of emergency vehicles and personnel. However, the use of this or any other Whelen emergency warning device does not guarantee that you will have the right-of-way or that other drivers and pedestrians will properly heed an emergency warning signal. Never assume you have the right-of-way. It is your responsibility to proceed safely before entering an intersection, driving against traffic, responding at a high rate of speed, or walking on or around traffic lanes. Emergency vehicle warning devices should be tested on a daily basis to ensure that they operate properly. When in actual use, the operator must ensure that both visual and audible warnings are not blocked by vehicle components (i.e.: open trunks or compartment doors), people, vehicles, or other obstructions. It is the user's responsibility to understand and obey all laws regarding emergency warning devices. The user should be familiar with all applicable laws and regulations prior to the use of any emergency vehicle warning device. Whelen's audible warning devices are designed to project sound in a forward direction away from the vehicle occupants. However, because sustained periodic exposure to loud sounds can cause hearing loss, all audible warning devices should be installed and operated in accordance with the standards established by the National Fire Protection Association.

Safety First

This document provides all the necessary information to allow your Whelen product to be properly and safely installed. Before beginning the installation and/or operation of your new product, the installation technician and operator must read this manual completely. Important information is contained herein that could prevent serious injury or damage.

⚠ WARNING: This product can expose you to chemicals including Methylene Chloride which is known to the State of California to cause cancer, and Bisphenol A, which is known to the State of California to cause birth defects or other reproductive harm. For more information go to www.P65Warnings.ca.gov.

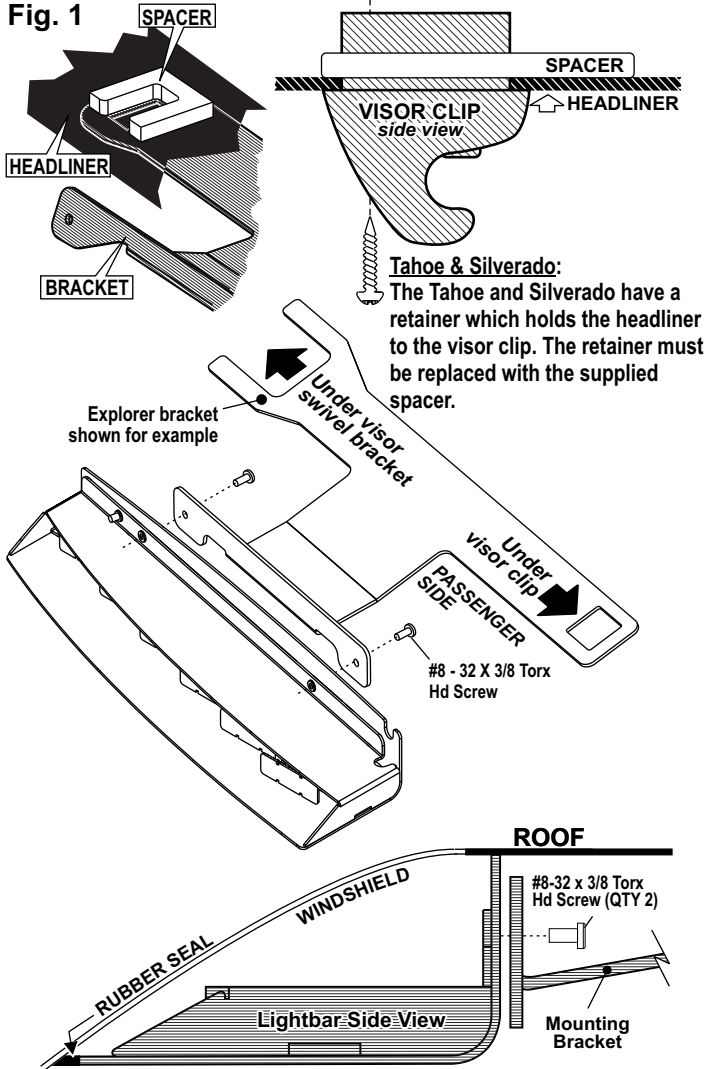
- **Proper installation of this product requires the installer to have a good understanding of automotive electronics, systems and procedures.**
- **Whelen Engineering requires the use of waterproof butt splices and/or connectors if that connector could be exposed to moisture.**
- **Any holes, either created or utilized by this product, should be made both air- and watertight using a sealant recommended by your vehicle manufacturer.**
- **Failure to use specified installation parts and/or hardware will void the product warranty.**
- **If mounting this product requires drilling holes, the installer MUST be sure that no vehicle components or other vital parts could be damaged by the drilling process. Check both sides of the mounting surface before drilling begins. Also de-burr the holes and remove any metal shards or remnants. Install grommets into all wire passage holes.**
- **If this manual states that this product may be mounted with suction cups, magnets, tape or Velcro®, clean the mounting surface with a 50/50 mix of isopropyl alcohol and water and dry thoroughly.**
- **Do not install this product or route any wires in the deployment area of your air bag. Equipment mounted or located in the air bag deployment area will damage or reduce the effectiveness of the air bag, or become a projectile that could cause serious personal injury or death. Refer to your vehicle owner's manual for the air bag deployment area. The User/Installer assumes full responsibility to determine proper mounting location, based on providing ultimate safety to all passengers inside the vehicle.**
- **For this product to operate at optimum efficiency, a good electrical connection to chassis ground must be made. The recommended procedure requires the product ground wire to be connected directly to the NEGATIVE (-) battery post (this does not include products that use cigar power cords).**
- **If this product uses a remote device for activation or control, make sure that this device is located in an area that allows both the vehicle and the device to be operated safely in any driving condition.**
- **Do not attempt to activate or control this device in a hazardous driving situation.**
- **This product contains either strobe light(s), halogen light(s), high-intensity LEDs or a combination of these lights. Do not stare directly into these lights. Momentary blindness and/or eye damage could result.**
- **Use only soap and water to clean the outer lens. Use of other chemicals could result in premature lens cracking (crazing) and discoloration. Lenses in this condition have significantly reduced effectiveness and should be replaced immediately. Inspect and operate this product regularly to confirm its proper operation and mounting condition. Do not use a pressure washer to clean this product.**
- **It is recommended that these instructions be stored in a safe place and referred to when performing maintenance and/or reinstallation of this product.**
- **FAILURE TO FOLLOW THESE SAFETY PRECAUTIONS AND INSTRUCTIONS COULD RESULT IN DAMAGE TO THE PRODUCT OR VEHICLE AND/OR SERIOUS INJURY TO YOU AND YOUR PASSENGERS!**

IMPORTANT NOTE: A WeCanX™ lightbar is only compatible with the Whelen Core Command System and can not be used alone or with any other control system.

IMPORTANT! The lightbar should be located a minimum of 16" from any radio antennas!

Installation:

Note: When routing wires, it is important to choose a path that will keep the wires away from excessive heat or any vehicle equipment that could compromise the integrity of the wires (ex. trunk lids, door jams, etc.)



1. Using a screwdriver, loosen (*do not remove*) the three screws securing the passenger-side **visor swivel** bracket to the vehicle. (See reference to retainer in Figure 1 for Silverado and Tahoe)
2. Remove the screws securing the **visor clip** to the vehicle. Remove and retain the clip and all hardware.
3. Secure the bracket to the Inner Edge housing using the hardware provided.
4. Position the keyed opening of the mounting bracket directly under the mounting location for the **visor clip**. With the bracket in position, remount the **visor clip** in its original location using the original hardware (Fig. 1).
5. Firmly tighten any hardware loosened in this procedure.
6. Repeat this procedure for the driver-side assembly.
7. When properly mounted, the rubber seal will be in full contact with the vehicle windshield and roof. This is to prevent light output from entering the passenger compartment. When this has been achieved, tighten mounting hardware firmly to maintain contact (Fig. 1).
8. Route the lightbar cable down the vehicle A-pillar to your control head.
9. Make all wiring connections using the information in the wiring diagram.

Wiring and Operation WeCanX Lightbar:

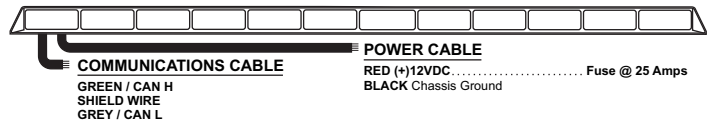
Connecting the Power Cable:

WARNING! All customer supplied wires that connect to the positive terminal of the battery must be sized to supply at least 125% of the maximum operating current and **FUSED** at the battery to carry that load. **DO NOT USE CIRCUIT BREAKERS WITH THIS PRODUCT!**

1. Follow the factory wiring harness through the fire wall. It may be necessary to drill a hole in the fire wall. Make sure that there are no components that could be damaged by drilling. After the hole has been drilled, insert a grommet to protect the cable.
2. Route the cable along the factory wiring harness towards the battery. Install a 25 amp fuse block (customer supplied) on the end of the RED wire in the power cable. **NOTE: Remove the fuse from the fuse block before connecting any wires to the battery.**
3. Connect the BLACK wire to Chassis Ground.

Connecting the Communication Cable:

Splice the GREEN and GREY wires from the lightbar to the GREEN and GREY wires from the Whelen WeCanX Controller.



IMPORTANT WARNING!
CAUTION! DO NOT LOOK DIRECTLY AT THESE LED'S WHILE THEY ARE ON. MOMENTARY BLINDNESS AND/OR EYE DAMAGE COULD RESULT!

Installation Ford Fusion:

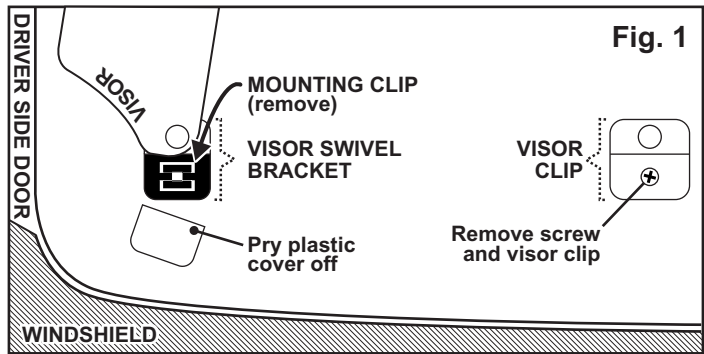
IMPORTANT AIR BAG WARNING! Do not install this product or route any wires in the deployment area of your air bag. Equipment mounted or located in the air bag deployment area will damage or reduce the effectiveness of the air bag, or become a projectile that could cause serious personal injury or death. Refer to your vehicle owners manual for the air bag deployment area. The User/ Installer assumes full responsibility to determine proper mounting location, based on providing ultimate safety to all passengers.

IMPORTANT! The lightbar should be located a minimum of 16" from any radio antennas!

Note: When routing the wires, it is important to choose a path that will keep the wires away from excessive heat or any vehicle equipment that could compromise the integrity of the wires (ex. trunk lids, door jams, etc.)

Figures 1 thru 3 show the driver side of the interior of the vehicle, shown looking up at the roof.

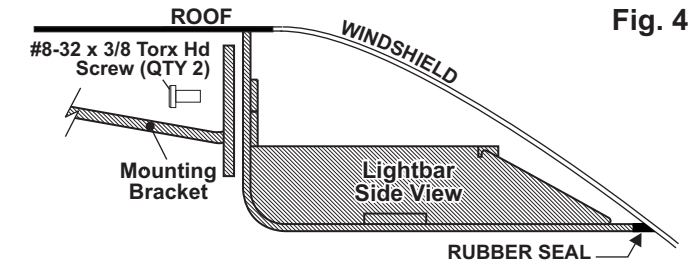
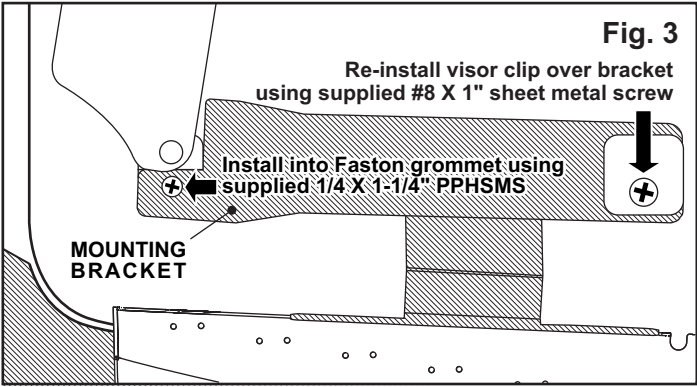
1. On the driver side **visor swivel bracket**, carefully pry the plastic cover off the front of the bracket (Fig. 1). The lightbar mounting bracket will sit in the space that the cover occupied. **NOTE: Pry the cover off using two flat blade screwdrivers on each side to avoid braking the cover. The cover will not be used but should be saved in case you wish to remove the lightbar in the future.**



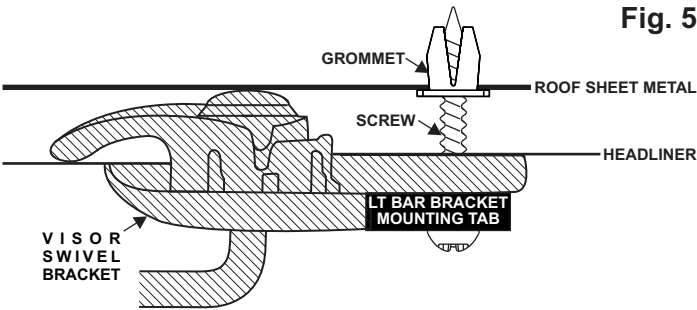
2. Remove the **swivel bracket** mounting clip (located under the cover you removed in step 1) and lift the **swivel bracket** assembly out. Install the supplied fastex grommet into the hole in the roof sheet metal which the clip snapped into. Reinsert the **swivel bracket** assembly (Figs. 1 & 2).



3. On the vehicle **visor clip**, remove the screw holding on the clip and remove the clip. The supplied #8 X 1" sheet metal screw will replace the screw you removed (Fig. 2).



When properly mounted, the rubber seal should be in full contact with the vehicle windshield. The rear of the lightbar should be in contact with the roof. This is to prevent light from entering the passenger compartment. When this has been achieved, tighten mounting hardware firmly to maintain contact.



4. Secure the mounting bracket to the lightbar and position the bracket where it will mount on the vehicle (Figs. 3 & 4).
5. Secure the lightbar bracket to the **swivel mount** using the supplied 1/4 X 1-1/4" Phillips Pan Head Sheet Metal Screw. This screw will thread into the fastex grommet you installed in step 2 and the bracket will sit where the cover was (Fig. 5).
6. Line the rectangular hole in the other end of the lightbar bracket, up with the **visor clip** and install the visor clip over the lightbar bracket using the supplied #8 X 1" Sheet Metal Screw (Fig. 3).
7. Make sure all mounting hardware is tightened firmly and repeat procedure for the passenger side of the vehicle.

Extend the cables and connect to power. Refer to the lightbar manual for wiring and fusing information.

**Installation 2019 - 2020 Dodge Ram 1500:
Inner Edge FST**



1. Remove the vehicle Visor Clips. The bracket will sit under these clips after mounting (Fig. 1).
2. Mount the bracket to the light array. Pivot the bracket as shown so the bracket tilts down on the side nearest the mirror and up on the road side (Fig. 2). Tighten hardware firmly.
3. Replace the vehicle clip mounting screw near the rear view mirror with the supplied 8 X 1" Phillips Pan Head Sheet Metal Screw (Fig. 1). Loosely mount the bracket to the vehicle and pivot the bracket so the side near the mirror is further from the windshield (Fig. 3). With the bracket in place tighten the mounting hardware.

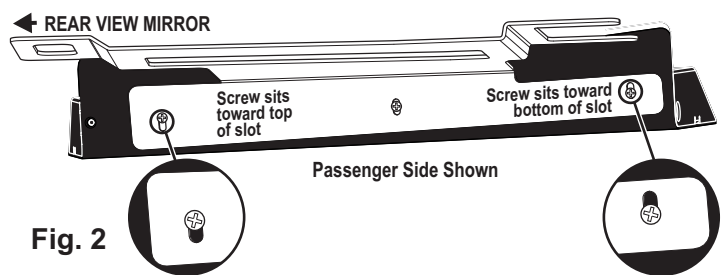


Fig. 2

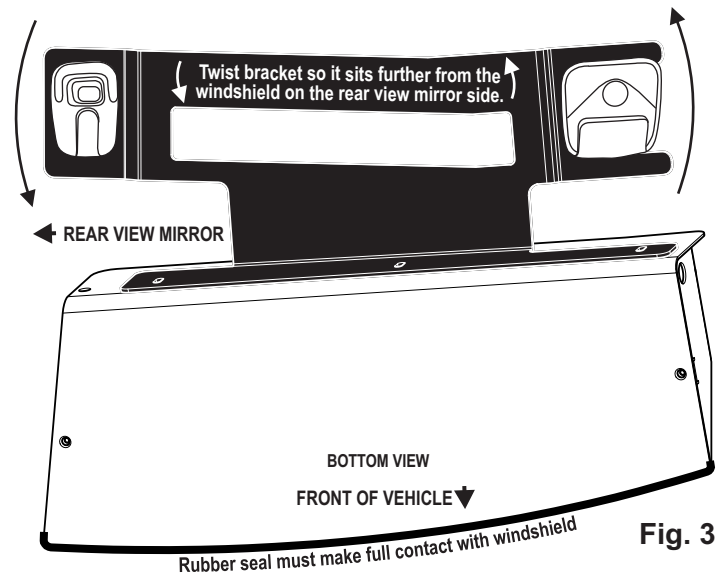
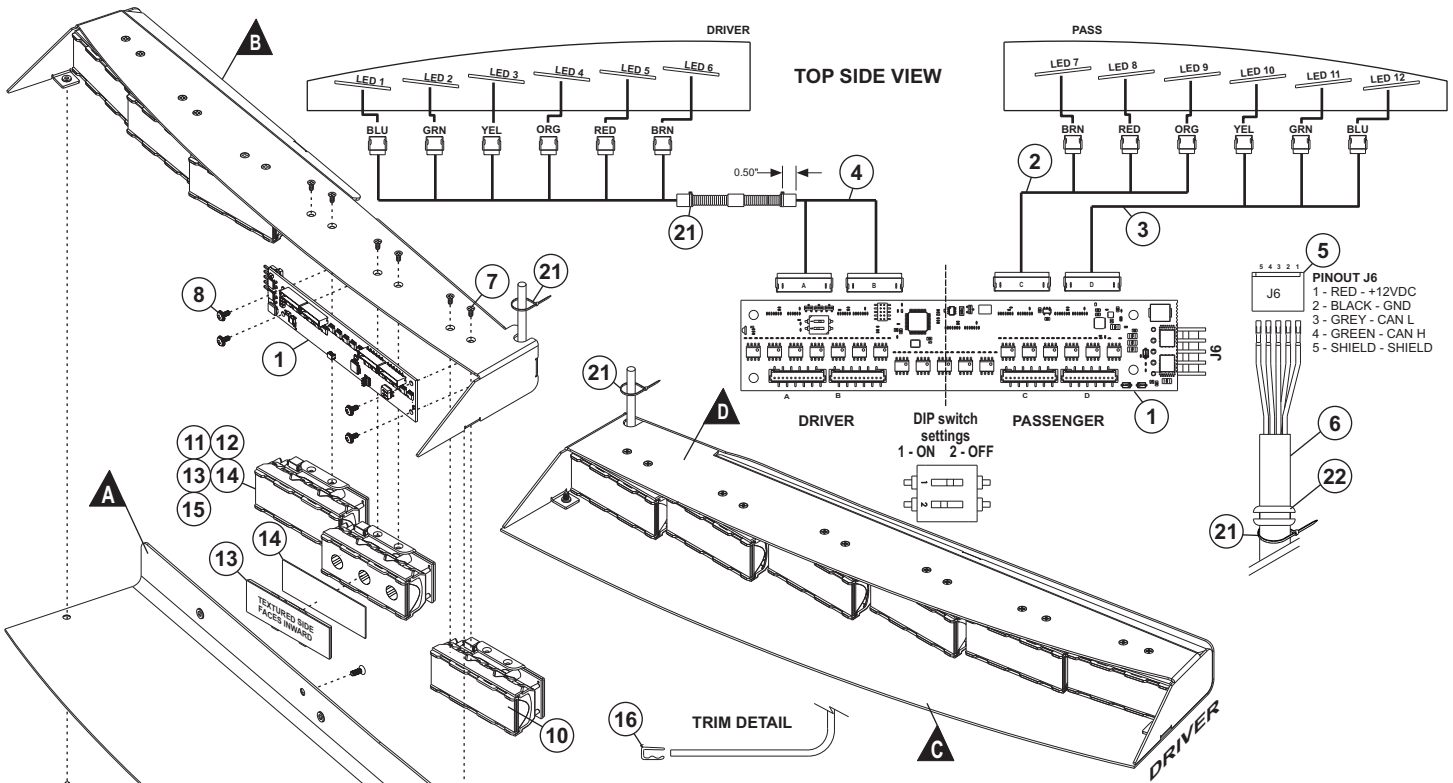
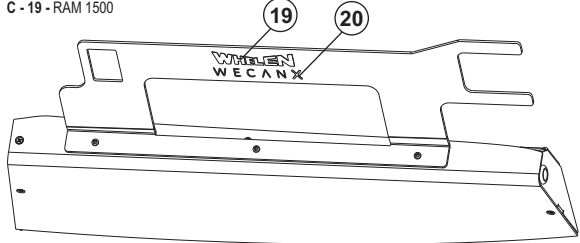


Fig. 3



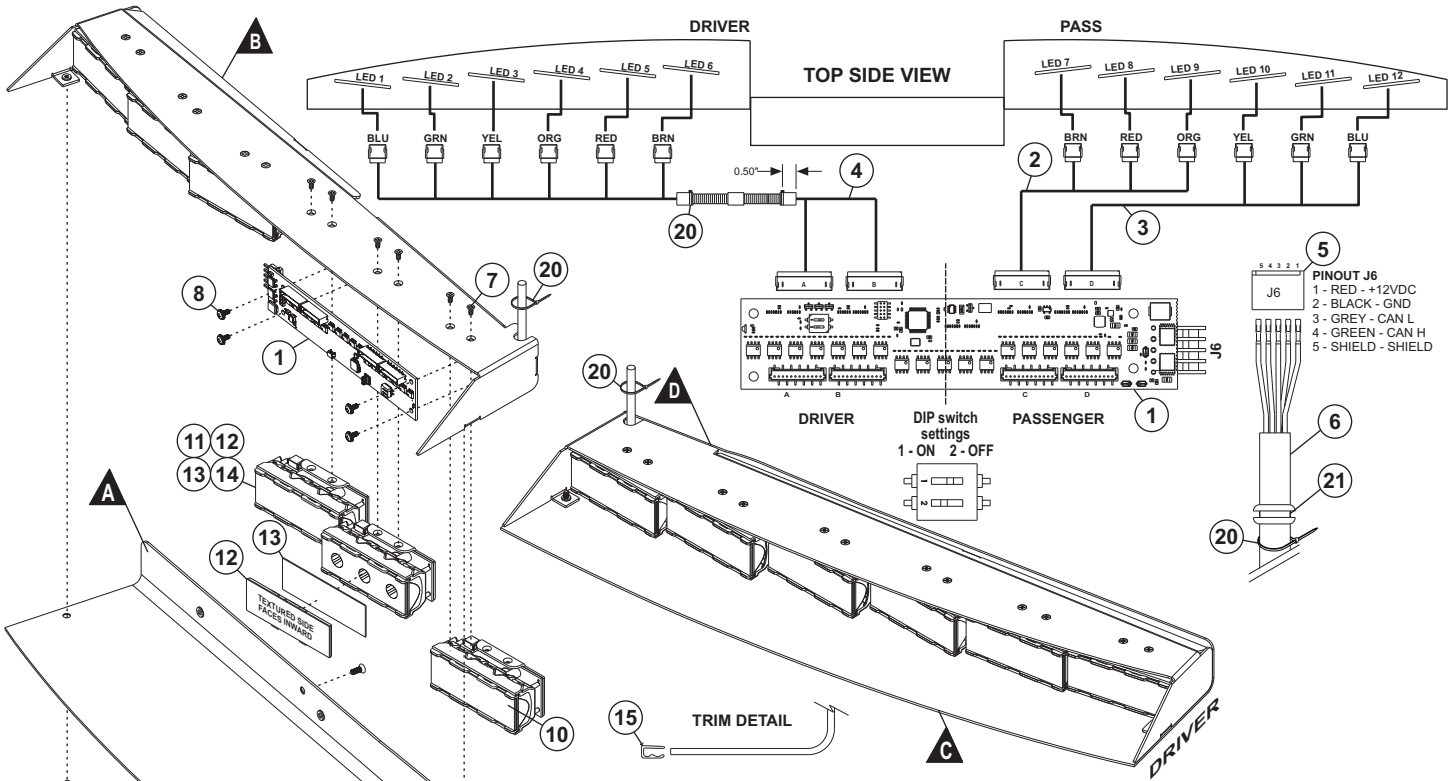
PART NUMBER KEY
01-0688590-

- | | |
|-------------------------------------|----------------------|
| YEAR/MAKE | VERSION |
| 1 - 17 - TAURUS/INTERCEPTOR | 1 - PASS ONLY W/TD |
| 2 - 17 - EXPLORER/SUV INTERCEPTOR | 2 - PASS ONLY W/O TD |
| 3 - 17 - F-SERIES | 3 - DRVR/PASS W/TD |
| 4 - 19 - CHARGER | 4 - DRVR/PASS W/O TD |
| 5 - 17 - TAHOE/SUBURBAN/ALL PICKUPS | |
| 6 - 17 - FUSION | |
| 7 - 17 - RAM 1500 | |
| 8 - 18 - EXPEDITION | |
| 9 - 18 - DURANGO | |
| A - 19 - SILVERADO | |
| B - 20 - EXPLORER/SUV INTERCEPTOR | |
| C - 19 - RAM 1500 | |



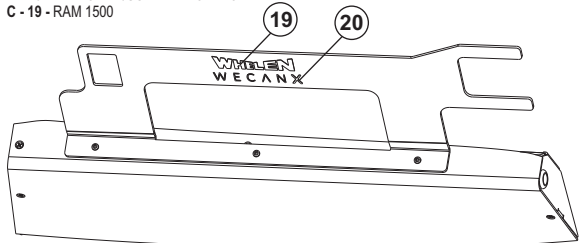
A B C D SEE NEXT PAGE FOR VEHICLE-SPECIFIC COMPONENT REQUIREMENTS

| QTY | QTY | QTY | QTY | ITEM | PART NUMBER | DESCRIPTION |
|-----|-----|-----|-----|------|---------------|---|
| | | | * | | 01-06885900_1 | INNER EDGE FST SOLO/DUO, WCX, PASS ONLY W/TD |
| | | | * | | 01-06885900_2 | INNER EDGE FST SOLO/DUO, WCX, PASS ONLY W/O TD |
| | * | | | | 01-06885900_3 | INNER EDGE FST SOLO/DUO, WCX, DRVR/PASS W/TD |
| * | | | | | 01-06885900_4 | INNER EDGE FST SOLO/DUO, WCX, DRVR/PASS W/O TD |
| 1 | 1 | 1 | 1 | 1 | 02-016J531-00 | PCB CONTROL BD 24 OUTPUT INNER EDGE WeCanX SMT |
| 1 | 1 | 1 | 1 | 2 | 46-0788264-00 | HARNESS "C" INNER EDGE FST/RST |
| 1 | 1 | 1 | 1 | 3 | 46-0788625-01 | HARNESS "D" WeCanX INNER EDGE FST/RST |
| 1 | 1 | - | - | 4 | 46-0788625-00 | HARNESS "A"/"B" WeCanX INNER EDGE FST |
| 1 | 1 | 1 | 1 | 5 | 39-1M18534-05 | HOUSING, PLUG 5 POS SL-156 W/LOCKING RAMP, LID |
| 1 | 1 | 1 | 1 | 6 | 46-0746909-00 | ASSY, CABLE INPUT 4/C 2/0' SL-156 |
| A/R | A/R | A/R | A/R | 7 | 14-040115-04D | SCREW, 4-40 X 1/4 PPHMS TAPTITE, BLACK OXIDE |
| 4 | 4 | 4 | 4 | 8 | 14-040216-041 | SCREW, 4-40 X 1/4 PPHMS SEMS W/IT LOCK WASHER, SS |
| 8 | 8 | 4 | 4 | 9 | 14-0050508B26 | SCREW, 6-32 X 1/4 PPHMS C'SUNK |
| - | 2 | - | 1 | 10 | 01-026H214-30 | SUB ASSY, LTHEAD SOLO WHITE INNER EDGE FST |
| A/R | A/R | A/R | A/R | 11 | 01-026H214-0 | SUB ASSY, LTHEAD SOLO INNER EDGE FST |
| A/R | A/R | A/R | A/R | 12 | 01-026H214-__ | SUB ASSY, LTHEAD DUO INNER EDGE FST |
| 12 | 10 | 6 | 5 | 13 | 68-196H348-30 | LENS, CLEAR OPTIC PLATE INNER EDGE FST |
| A/R | A/R | - | - | 14 | 09-0647873-__ | PANEL, GRAPHIC INNER EDGE |
| A/R | A/R | A/R | A/R | 15 | 01-026H702-__ | SUB ASSY, LIGHTED SIGN DUO INNER EDGE FST |
| 2 | 2 | 1 | 1 | 16 | 38-0546827-20 | TRIM, SEAL HOUSING/WINDSHIELD 20" LENGTH INNER EDGE FST |
| 1 | 1 | 1 | 1 | 18 | 10-0348192-__ | LABEL, PN/MN INNER EDGE WeCanX FST |
| 1 | 1 | 1 | 1 | 19 | 10-056E563-30 | LABEL, WHELEN LOGO GREY 2.75" |
| 1 | 1 | 1 | 1 | 20 | 10-056J509-31 | LABEL, WeCanX LOGO DARK GREY 3.00" |
| 5 | 5 | 2 | 2 | 21 | 26-0215001-06 | TY WRAP 6" BLK |
| 1 | 1 | 1 | 1 | 22 | 21-11101610-0 | GROMMET, 5/16 ID X 1/2 HOLE |



PART NUMBER KEY
01-0688590-

- | | |
|-------------------------------------|----------------------|
| YEAR/MAKE | VERSION |
| 1 - 17 - TAURUS/INTERCEPTOR | 1 - PASS ONLY W/TD |
| 2 - 17 - EXPLORER/SUV INTERCEPTOR | 2 - PASS ONLY W/O TD |
| 3 - 17 - F-SERIES | 3 - DRVR/PASS W/TD |
| 4 - 19 - CHARGER | 4 - DRVR/PASS W/O TD |
| 5 - 17 - TAHOE/SUBURBAN/ALL PICKUPS | |
| 6 - 17 - FUSION | |
| 7 - 17 - RAM 1500 | |
| 8 - 18 - EXPEDITION | |
| 9 - 18 - DURANGO | |
| A - 19 - SILVERADO | |
| B - 20 - EXPLORER/SUV INTERCEPTOR | |
| C - 19 - RAM 1500 | |



A B C D SEE NEXT PAGE FOR VEHICLE-SPECIFIC COMPONENT REQUIREMENTS

| QTY | QTY | QTY | QTY | ITEM | PART NUMBER | DESCRIPTION |
|-----|-----|-----|-----|------|----------------|---|
| | | | * | | 01-0688590- _1 | INNER EDGE FST TRIO, WCX, PASS ONLY W/TD |
| | | | * | | 01-0688590- _2 | INNER EDGE FST TRIO, WCX, PASS ONLY W/O TD |
| | * | | | | 01-0688590- _3 | INNER EDGE FST TRIO, WCX, DRVR/PASS W/TD |
| | * | | | | 01-0688590- _4 | INNER EDGE FST TRIO, WCX, DRVR/PASS W/O TD |
| 1 | 1 | 1 | 1 | 1 | 02-016J197-00 | PCB CONTROL BD 36 OUTPUT INNER EDGE WeCanX SMT |
| 1 | 1 | 1 | 1 | 2 | 46-0788264-00 | HARNESS "C" INNER EDGE FST/RST |
| 1 | 1 | 1 | 1 | 3 | 46-0788625-01 | HARNESS "D" WeCanX INNER EDGE FST/RST |
| 1 | 1 | - | - | 4 | 46-0788625-00 | HARNESS "A"/"B" WeCanX INNER EDGE FST |
| 1 | 1 | 1 | 1 | 5 | 39-1M18534-05 | HOUSING, PLUG 5 POS SL-156 W/LOCKING RAMP, LID |
| 1 | 1 | 1 | 1 | 6 | 46-0746909-00 | CABLE INPUT 4/C 20' SL-156 |
| A/R | A/R | A/R | A/R | 7 | 14-040115-04D | SCREW, 4-40 X 1/4 PPHMS TAPTITE, BLACK OXIDE |
| 4 | 4 | 4 | 4 | 8 | 14-040216-041 | SCREW, 4-40 X 1/4 PPHMS SEMS W/IT LOCK WASHER, SS |
| 8 | 8 | 4 | 4 | 9 | 14-0050508B26 | SCREW, 6-32 X 1/4 PPHMS C'SUNK |
| - | 2 | - | 1 | 10 | 01-026H214-30 | SUB ASSY, LTHEAD SOLO WHITE INNER EDGE FST |
| A/R | A/R | A/R | A/R | 11 | 01-026H214-___ | SUB ASSY, LTHEAD TRIO INNER EDGE FST |
| 12 | 10 | 6 | 5 | 12 | 68-196H348-30 | LENS, CLEAR OPTIC PLATE INNER EDGE FST |
| A/R | A/R | - | - | 13 | 09-0647873-___ | PANEL, GRAPHIC INNER EDGE |
| A/R | A/R | A/R | A/R | 14 | 01-026H702-___ | SUB ASSY, LIGHTED SIGN TRIO INNER EDGE FST |
| 2 | 2 | 1 | 1 | 15 | 38-0546827-20 | TRIM, SEAL HOUSING/WINDSHIELD 20" LENGTH INNER EDGE FST |
| 1 | 1 | 1 | 1 | 17 | 10-0348192-___ | LABEL, PN/MN INNER EDGE WeCanX FST |
| 1 | 1 | 1 | 1 | 18 | 10-056E563-30 | LABEL, WHELEN LOGO GREY 2.75" |
| 1 | 1 | 1 | 1 | 19 | 10-056J509-31 | LABEL, WeCanX LOGO DARK GREY 3.00" |
| 5 | 5 | 2 | 2 | 20 | 26-0215001-06 | TY WRAP, 6" BLACK |
| 1 | 1 | 1 | 1 | 21 | 21-11101610-0 | GROMMET, 5/16 ID X 1/2 HOLE |

FORD

2017 - TAURUS/INTERCEPTOR

| QTY | QTY | ITEM | PART NUMBER | DESCRIPTION |
|-----|-----|------|---------------|---|
| | * | | 01-0688590_1_ | FINAL, INNER EDGE FST PASS ONLY |
| * | | | 01-0688590_1_ | FINAL, INNER EDGE FST DRVR/PASS |
| 1 | 1 | A | 11-36H225-007 | BASE, HOUSING PASS INNER-EDGE 17 TAURUS BLK |
| 1 | 1 | B | 11-26H224-007 | COVER, TOP PASS INNER-EDGE 17 TAURUS BLK |
| 1 | - | C | 11-36H225-107 | BASE, HOUSING DRVR INNER-EDGE 17 TAURUS BLK |
| 1 | - | D | 11-26H224-107 | COVER, TOP DRVR INNER-EDGE 17 TAURUS BLK |
| 1 | 1 | E | 07-288265-023 | BRACKET, VISOR MT PASS 17 TAURUS INNER EDGE BLK |
| 1 | - | F | 07-288265-123 | BRACKET, VISOR MT DRVR 17 TAURUS INNER EDGE BLK |
| 6 | 3 | G | 14-08228C-06D | SCREW, 8-32 X 3/8" PAN TORX HD ROLOK SS BLACK OXIDE |

2017 - EXPLORER

| QTY | QTY | ITEM | PART NUMBER | DESCRIPTION |
|-----|-----|------|---------------|---|
| | * | | 01-0688590_2_ | FINAL, INNER EDGE FST PASS ONLY |
| * | | | 01-0688590_2_ | FINAL, INNER EDGE FST DRVR/PASS |
| 1 | 1 | A | 11-36H170-007 | BASE, HOUSING PASS INNER-EDGE 15 EXPLORER BLK |
| 1 | 1 | B | 11-26H169-007 | COVER, TOP PASS INNER-EDGE 15 EXPLORER BLK |
| 1 | - | C | 11-36H170-107 | BASE, HOUSING DRVR INNER-EDGE 15 EXPLORER BLK |
| 1 | - | D | 11-26H169-107 | COVER, TOP DRVR INNER-EDGE 15 EXPLORER BLK |
| 1 | 1 | E | 07-288245-023 | BRACKET, VISOR MT PASS 15 EXPLORER INNER EDGE BLK |
| 1 | - | F | 07-288245-123 | BRACKET, VISOR MT DRVR 15 EXPLORER INNER EDGE BLK |
| 6 | 3 | G | 14-08228C-06D | SCREW, 8-32 X 3/8" PAN TORX HD ROLOK SS BLACK OXIDE |

2017 - F-SERIES

| QTY | QTY | ITEM | PART NUMBER | DESCRIPTION |
|-----|-----|------|---------------|---|
| | * | | 01-0688590_3_ | FINAL, INNER EDGE FST PASS ONLY |
| * | | | 01-0688590_3_ | FINAL, INNER EDGE FST DRVR/PASS |
| 1 | 1 | A | 11-36H385-007 | BASE, HOUSING PASS '17 F-SERIES INNER EDGE FST |
| 1 | 1 | B | 11-26H384-007 | COVER, TOP PASS 2017 F-SERIES INNER EDGE FST |
| 1 | - | C | 11-36H385-107 | BASE, HOUSING DRVR '17 F-SERIES INNER EDGE FST |
| 1 | - | D | 11-26H384-107 | COVER, TOP DRVR 2017 F-SERIES INNER EDGE FST |
| 1 | 1 | E | 07-288328-023 | BRACKET, VISOR MT PASS F-SERIES 2017 INNER EDGE FST |
| 1 | - | F | 07-288328-123 | BRACKET, VISOR MT DRVR F-SERIES 2017 INNER EDGE FST |
| 6 | 3 | G | 14-08228C-06D | SCREW, 8-32 X 3/8" PAN TORX HD ROLOK SS BLACK OXIDE |

2017 - FUSION

| QTY | QTY | ITEM | PART NUMBER | DESCRIPTION |
|-----|-----|------|---------------|---|
| | * | | 01-0688590_6_ | FINAL, INNER EDGE FST PASS ONLY |
| * | | | 01-0688590_6_ | FINAL, INNER EDGE FST DRVR/PASS |
| 1 | 1 | A | 11-36H324-007 | BASE, HOUSING PASS '17 FUSION INNER EDGE FST |
| 1 | 1 | B | 11-26H323-007 | COVER, TOP PASS '17 FUSION INNER EDGE FST |
| 1 | - | C | 11-36H324-107 | BASE, HOUSING DRVR '17 FUSION INNER EDGE FST |
| 1 | - | D | 11-26H323-107 | COVER, TOP DRIVER '17 FUSION INNER EDGE FST |
| 1 | 1 | E | 07-288302-023 | BRACKET, VISOR MT '17 FUSION PASS INNER EDGE FST |
| 1 | - | F | 07-288302-123 | BRACKET, VISOR MT '17 FUSION DRVR INNER EDGE FST |
| 6 | 3 | G | 14-08228C-06D | SCREW, 8-32 X 3/8" PAN TORX HD ROLOK SS BLACK OXIDE |
| 2 | 1 | I | 15-081416-160 | SCREW, 8 X 1 PPHSMS |
| 2 | 1 | J | 15-131416-202 | SCREW, 1/4 X 1 1/4 PPHSMS SS TYPE A |
| 2 | 1 | K | 21-12081205-3 | SCREW GROMMET, |

2018 - EXPEDITION

| QTY | QTY | ITEM | PART NUMBER | DESCRIPTION |
|-----|-----|------|---------------|--|
| | * | | 01-0688590_8_ | FINAL, INNER EDGE FST PASS ONLY |
| * | | | 01-0688590_8_ | FINAL, INNER EDGE FST DRVR/PASS |
| 1 | 1 | A | 11-36H806-007 | BASE, HOUSING PASS '18 EXPEDITION INNER EDGE FST |
| 1 | 1 | B | 11-26H807-007 | COVER, TOP PASS '17 EXPEDITION INNER EDGE FST |
| 1 | - | C | 11-36H806-107 | BASE, HOUSING DRVR '17 EXPEDITION INNER EDGE FST |
| 1 | - | D | 11-26H807-107 | COVER, TOP DRIVER '17 EXPEDITION INNER EDGE FST |
| 1 | 1 | E | 07-288437-023 | BRACKET, VISOR MT '17 EXPEDITION PASS INNER EDGE FST |
| 1 | - | F | 07-288437-123 | BRACKET, VISOR MT '17 EXPEDITION DRVR INNER EDGE FST |
| 6 | 3 | G | 14-08228C-06D | SCREW, 8-32 X 3/8" PAN TORX HD ROLOK SS BLACK OXIDE |

2020 - EXPLORER

| QTY | QTY | ITEM | PART NUMBER | DESCRIPTION |
|-----|-----|------|---------------|---|
| | * | | 01-0688590_B_ | FINAL, INNER EDGE FST PASS ONLY |
| * | | | 01-0688590_B_ | FINAL, INNER EDGE FST DRVR/PASS |
| 1 | 1 | A | 11-36J433-007 | BASE, HOUSING PASS 2020 UTILITY INNER EDGE FST |
| 1 | 1 | B | 11-26J434-007 | COVER, TOP PASS 2020 UTILITY INNER EDGE FST |
| 1 | - | C | 11-36J433-107 | BASE, HOUSING DRVR 2020 UTILITY INNER EDGE FST |
| 1 | - | D | 11-26J434-107 | COVER, TOP DRVR 2020 UTILITY INNER EDGE FST |
| 1 | 1 | E | 07-288612-023 | BRACKET, VISOR MT PASS '20 UTILITY INNER EDGE FST |
| 1 | - | F | 07-288612-123 | BRACKET, VISOR MT DRVR '20 UTILITY INNER EDGE FST |
| 4 | 2 | G | 14-08228C-06D | SCREW, 8-32 X 3/8" PAN TORX HD ROLOK SS BLACK OXIDE |

DODGE

2019 - CHARGER

| QTY | QTY | ITEM | PART NUMBER | DESCRIPTION |
|-----|-----|------|---------------|---|
| | * | | 01-0688590_4_ | FINAL, INNER EDGE FST PASS ONLY |
| * | | | 01-0688590_4_ | FINAL, INNER EDGE FST DRVR/PASS |
| 1 | 1 | A | 11-36J388-007 | BASE, HOUSING PASS CHARGER 16-19 INNER EDGE FST |
| 1 | 1 | B | 11-26J389-007 | COVER, TOP PASS 16-19 CHARGER INNER EDGE FST |
| 1 | - | C | 11-36J388-107 | BASE, HOUSING DRVR CHARGER 16-19 INNER EDGE FST |
| 1 | - | D | 11-26J389-107 | COVER, TOP DRVR 16-19 CHARGER INNER EDGE FST |
| 1 | 1 | E | 07-288598-023 | BRACKET, VISOR MT PASS CHARGER 16-19 INNER EDGE FST |
| 1 | - | F | 07-288598-123 | BRACKET, VISOR MT DRVR CHARGER 16-19 INNER EDGE FST |
| 4 | 2 | G | 14-08228C-06D | SCREW, 8-32 X 3/8" PAN TORX HD ROLOK SS BLACK OXIDE |

2017 - RAM 1500

| QTY | QTY | ITEM | PART NUMBER | DESCRIPTION |
|-----|-----|------|---------------|---|
| | * | | 01-0688590_7_ | FINAL, INNER EDGE FST PASS ONLY |
| * | | | 01-0688590_7_ | FINAL, INNER EDGE FST DRVR/PASS |
| 1 | 1 | A | 11-36H509-007 | BASE, HOUSING PASS INNER-EDGE 17 RAM 1500 BLK |
| 1 | 1 | B | 11-26H508-007 | COVER, TOP PASS INNER-EDGE 17 RAM 1500 BLK |
| 1 | - | C | 11-36H509-107 | BASE, HOUSING DRVR INNER-EDGE 17 RAM 1500 BLK |
| 1 | - | D | 11-26H508-107 | COVER, TOP DRVR INNER-EDGE 17 RAM 1500 BLK |
| 1 | 1 | E | 07-288367-023 | BRACKET, VISOR MT PASS 17 RAM 1500 INNER EDGE BLK |
| 1 | - | F | 07-288367-123 | BRACKET, VISOR MT DRVR 17 RAM 1500 INNER EDGE BLK |
| 6 | 3 | G | 14-08228C-06D | SCREW, 8-32 X 3/8" PAN TORX HD ROLOK SS BLACK OXIDE |

2018 - DURANGO

| QTY | QTY | ITEM | PART NUMBER | DESCRIPTION |
|-----|-----|------|---------------|---|
| | * | | 01-0688590_9_ | FINAL, INNER EDGE FST PASS ONLY |
| * | | | 01-0688590_9_ | FINAL, INNER EDGE FST DRVR/PASS |
| 1 | 1 | A | 11-36J015-007 | BASE, HOUSING PASS DURANGO INNER EDGE FST |
| 1 | 1 | B | 11-26J016-007 | COVER, TOP PASS DURANGO INNER EDGE FST |
| 1 | - | C | 11-36J015-107 | BASE, HOUSING DRVR DURANGO INNER EDGE FST |
| 1 | - | D | 11-26J016-107 | COVER, TOP DRVR DURANGO INNER EDGE FST |
| 1 | 1 | E | 07-288479-023 | BRACKET, VISOR MT PASS DURANGO INNER EDGE FST |
| 1 | - | F | 07-288479-123 | BRACKET, VISOR MT DRVR DURANGO INNER EDGE FST |
| 6 | 3 | G | 14-08228C-06D | SCREW, 8-32 X 3/8" PAN TORX HD ROLOK SS BLACK OXIDE |

2019 - RAM 1500

| QTY | QTY | ITEM | PART NUMBER | DESCRIPTION |
|-----|-----|------|---------------|---|
| | * | | 01-0688590_C_ | FINAL, INNER EDGE FST PASS ONLY |
| * | | | 01-0688590_C_ | FINAL, INNER EDGE FST DRVR/PASS |
| 1 | 1 | A | 11-36J527-007 | BASE, HSG PASS 2019 RAM 1500 BLACK INNER EDGE FST |
| 1 | 1 | B | 11-26J526-007 | COVER, TOP PASS 2019 RAM 1500 BLACK INNER EDGE FST |
| 1 | - | C | 11-36J527-107 | BASE, HSG DRVR 2019 RAM 1500 BLACK INNER EDGE FST |
| 1 | - | D | 11-26J526-107 | COVER, TOP DRVR 2019 RAM 1500 BLACK INNER EDGE FST |
| 1 | 1 | E | 07-288642-023 | BRACKET, VISOR MT PASS BLACK 2019 RAM 1500 INNER EDGE FST |
| 1 | - | F | 07-288642-123 | BRACKET, VISOR MT DRVR BLACK 2019 RAM 1500 INNER EDGE FST |
| 6 | 3 | G | 14-08228C-06D | SCREW, 8-32 X 3/8" PAN TORX HD ROLOK SS BLACK OXIDE |
| 2 | 1 | I | 15-081416-160 | SCREW, 8 X 1 PPHSMS |

CHEVROLET

2017 - TAHOE/SILVERADO

| QTY | QTY | ITEM | PART NUMBER | DESCRIPTION |
|-----|-----|------|---------------|--|
| | * | | 01-0688590_5_ | FINAL, INNER EDGE FST PASS ONLY |
| * | | | 01-0688590_5_ | FINAL, INNER EDGE FST DRVR/PASS |
| 1 | 1 | A | 11-36H227-007 | BASE, HOUSING PASS INNER-EDGE 17 TAHOE BLK |
| 1 | 1 | B | 11-26H226-007 | COVER, TOP PASS INNER-EDGE 17 TAHOE BLK |
| 1 | - | C | 11-36H227-107 | BASE, HOUSING DRVR INNER-EDGE 17 TAHOE BLK |
| 1 | - | D | 11-26H226-107 | COVER, TOP DRVR INNER-EDGE 17 TAHOE BLK |
| 1 | 1 | E | 07-288336-023 | BRACKET, VISOR MT PASS 17 SILVERADO/TAHOE INNER EDGE BLK |
| 1 | - | F | 07-288336-123 | BRACKET, VISOR MT DRVR 17 SILVERADO/TAHOE INNER EDGE BLK |
| 6 | 3 | G | 14-08228C-06D | SCREW, 8-32 X 3/8" PAN TORX HD ROLOK SS BLACK OXIDE |
| 2 | 1 | H | 20-006J281-00 | SPACER, HEADLINER CHEVY INNER EDGE |

2019 - SILVERADO

| QTY | QTY | ITEM | PART NUMBER | DESCRIPTION |
|-----|-----|------|---------------|---|
| | * | | 01-0688590_A_ | FINAL, INNER EDGE FST PASS ONLY |
| * | | | 01-0688590_A_ | FINAL, INNER EDGE FST DRVR/PASS |
| 1 | 1 | A | 11-36J263-007 | BASE, HOUSING PASS INNER-EDGE 19 SILVERADO BLK |
| 1 | 1 | B | 11-26J264-007 | COVER, TOP PASS INNER-EDGE 19 SILVERADO BLK |
| 1 | - | C | 11-36J263-107 | BASE, HOUSING DRVR INNER-EDGE 19 SILVERADO BLK |
| 1 | - | D | 11-26J264-107 | COVER, TOP DRVR INNER-EDGE 19 SILVERADO BLK |
| 1 | 1 | E | 07-288557-023 | BRACKET, VISOR MT PASS 19 SILVERADO INNER EDGE BLK |
| 1 | - | F | 07-288557-123 | BRACKET, VISOR MT DRVR 19 SILVERADO INNER EDGE BLK |
| 6 | 3 | G | 14-08228C-06D | SCREW, 8-32 X 3/8" PAN TORX HD ROLOK SS BLACK OXIDE |
| 2 | 1 | H | 20-006J281-00 | SPACER, HEADLINER CHEVY INNER EDGE |