

LED TRAFFIC ARROWS

SRDTA SERIES

Specifications:

- Voltage: 12VDC
- Light Source: 72 LEDs (SRDTA06), 96 LEDs (SRDTA08), 120 LEDs (SRDTA10)
- Output: 54W (SRDTA06), 72W (SRDTA08), 90W (SRDTA10)
- Current Draw: 4.50A Max @ 12VDC (6 Heads)
6.00A Max @ 12VDC (8 Heads)
7.50A Max @ 12VDC (10 Heads)
- Flash Patterns: 50 Warning/ 27 traffic advisor
- Lens: Polycarbonate
- Housing: Aluminum
- Size: 1.26"H x 2.10"D
- Colors:
- Warranty: 5 Year



Features:

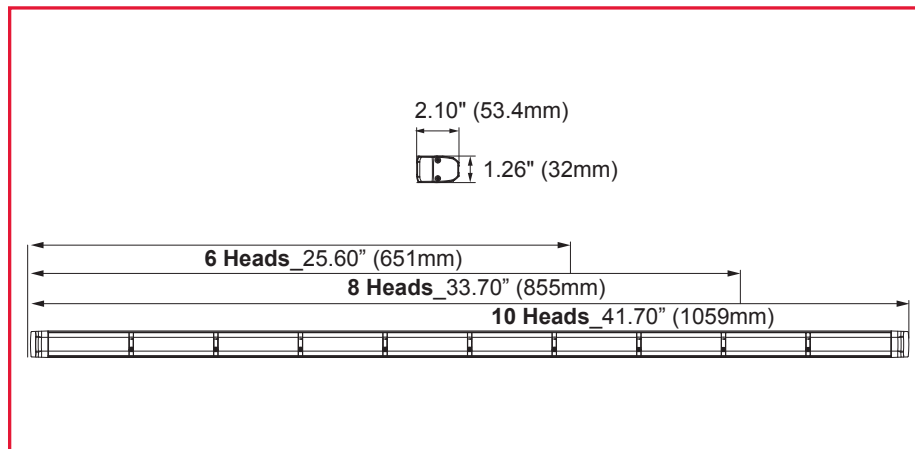
- Non-volatile memory recalls last flash pattern used at power up
- Reverse polarity protected
- Dual warning memory for instant switching
- Steady burn mode for scene light function
- Quick releasing slide for easy lighthouse replacement

Certifications:

- IPX7
- SAE J595 Class I
- ECE R10
- CA Title 13

SRDTA Series

PART #	LENGTH	COLOR
SRDTA06-AB	25.62"	Amber/Blue
SRDTA06-AC	25.62"	Amber/Clear
SRDTA06-ARB	25.62"	Amber/Red-Blue
SRDTA06-BC	25.62"	Blue/Clear
SRDTA06-RBC	25.62"	Red-Blue/Clear
SRDTA06-RC	25.62"	Red/Clear
SRDTA08-AB	33.66"	Amber/Blue
SRDTA08-AC	33.66"	Amber/Clear
SRDTA08-ARB	33.66"	Amber/Red-Blue
SRDTA10-AB	41.69"	Amber/Blue
SRDTA10-AC	41.69"	Amber/Clear
SRDTA10-RBC	41.69"	Red-Blue/Clear



Replacement Parts & Accessories

PART #	DESCRIPTION	
SRDTA-RMAB	Replacement Head	Amber/Blue
SRDTA-RMAC	Replacement Head	Amber/Clear
SRDTA-RMAR	Replacement Head	Amber/Red
SRDTA-RMBC	Replacement Head	Blue/Clear
SRDTA-RMRB	Replacement Head	Red/Blue
SRDTA-RMRC	Replacement Head	Red/Clear
SRMB-DTAAB	Adjustable Bracket	
SRMB-DTALB	L Bracket	
SRMB-DTAML	Mini L Bracket	
SRMB-DTASB	Surface Mount Bracket	

APPLICATIONS:



US: 16355 South Lone Elm Road • Olathe, KS 66062 • USA
Canada: 75 Skyway Drive • Mississauga, ON L5W 0H2 • Canada

P: 913-780-1440 • TOLL FREE 800-447-3693
E: info@superiorsignals.com • www.superiorsignals.com

LED TRAFFIC ARROWS

SRDTA SERIES

Flash Patterns

FLASH	PATTERN
1	Random/Custom
2	Double (R65)
3	Single (2Hz)
4	Triple (2Hz)
5	Quad (2Hz)
6	Steady/Scene
7	Single (SAE/CA)
8	Double (SAE)
9	Mega
10	Ultra (SAE)
11	Single-quad
12	Single H/L
13	Single-Triple-Quint
14	Single (SAE/CA) (Split)
15	Double (SAE) (Split)
16	Mega (Split)
17	Ultra (SAE) (Split)
18	Single (SAE/CA) (Side-by-Side)
19	Double (SAE) (Side-by-Side)
20	Mega (Side-by-Side)
21	Ultra (Side-by-Side)
22	Single (SAE/CA) (Outside-in)
23	Double (SAE) (Outside-in)
24	Mega (Outside-in)
25	Ultra (SAE) (Outside-in)
26	Scan
27	Split Scan

FLASH	PATTERN
28	Single Mid (Split)
29	Double-Single (Split)
30	Triple-Single (Split)
31	Quad-Single (Split)
32	Single H/L II (Split)
33	Double-Blast (Split)
34	Swing I (Split)
35	Triple-Blast (Split)
36	Swing II (Split)
37	Swing III (Split)
38	Triple H/L (Split)
39	Single Fast (Side-by-Side)
40	Quad Fast (Side-by-Side)
41	Double Fast (Side-by-Side)
42	Quad-Double (Side-by-Side)
43	Quad-Scan-Blast
44	Mega X (Side-by-Side)
45	All Scan-Split Scan
46	Triple-Scan
47	Single-Scan-Blast
48	Solid Scan
49	Solid Scan-Mega
50	Solid Scan-Blast

Traffic Arrow Patterns

TRAFFIC ARROW	PATTERN
1	Sweep Single (C1)
2	Sweep Double (C1)
3	Sweep Triple (C1)
4	Sweep Single End Double (C1)
5	Solid (C1)
6	Solid End Double (C1)
7	Solid Chaser (C1)
8	Solid Fade (C1)
9	Blink Double (C1)
10	Blink Triple (C1)
11	Blink Solid (C1)
12	Sweep Single (C2)
13	Sweep Double (C2)
14	Sweep Triple (C2)
15	Sweep Single End Double (C2)
16	Solid (C2)
17	Solid End Double (C2)
18	Solid Chaser (C2)
19	Solid Fade (C2)
20	Blink Double (C2)
21	Blink Triple (C2)
22	Blink Solid (C2)
23	Sweep Single Dual End Flasher (2Hz)
24	Sweep Single Dual End Flasher (SAE)
25	Solid Chaser Dual Quick
26	Solid Chaser Dual Fast
27	Solid Chaser Dual Slow

APPLICATIONS:



US: 16355 South Lone Elm Road • Olathe, KS 66062 • USA
 Canada: 75 Skyway Drive • Mississauga, ON L5W 0H2 • Canada

P: 913-780-1440 • TOLL FREE 800-447-3693
 E: info@superiorsignals.com • www.superiorsignals.com