

2000 SERIES - BACKUP ALARMS

SAFE-T-ALERT®

2000 SERIES

Specifications:

- Voltage: 12-24, 12-48 or 12-80VDC
- Decibels: 87, 97 or 102dB
- Size: 4"w x 1.62"d x 2.73"h
- Average Amp Draw: less than .6AMP
- Polarity Protected: Yes
- Spike Protected (V): +100/-400 (12-24 & 12-48VDC units)
+290/-400 (12-80VDC units)
- Mounting: Universal
- Warranty: 2 year
- Features:
 - Epoxy encapsulated circuit board
 - Optional wire leads or ground clip

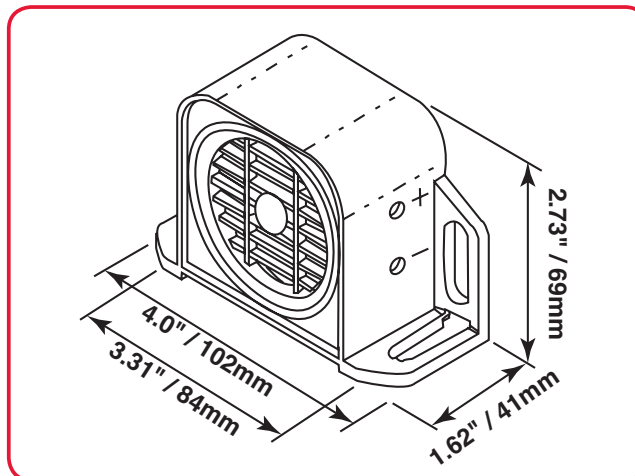
Certifications:

- UL approved
- CE
- SAE J994 Type D (87dB units)
- SAE J994 Type C (97dB units)



Variations:

PART #	DESCRIPTION	PART #	DESCRIPTION
STA20302	12-24VDC, 87dB	STA20504	12-48VDC, 97dB
STA20302W	12-24VDC, 87dB with wire leads	STA20504W	12-48VDC, 97dB with wire leads
STA20307	12-80VDC, 87dB	STA20504-G	12-48VDC, 97dB with ground clip
STA20307W	12-80VDC, 87dB with wire leads	STA20507	12-80VDC, 97dB
STA20307-G	12-80VDC, 87dB with ground clip	STA20507W	12-80VDC, 97dB with wire leads
STA20502	12-24VDC, 97dB	STA20602	12-24VDC, 102dB
STA20502W	12-24VDC, 97dB with wire leads	STA20602W	12-24VDC, 102dB with wire leads
STA20502-G	12-24VDC, 97dB with ground clip	STA20602-G	12-24VDC, 102dB with ground clip



US: 16355 South Lone Elm Road • Olathe, KS 66062 • USA
Canada: 1039 Cardiff Blvd. • Mississauga, Ontario L5S 1P4 • Canada

P: 913-780-1440 • TOLL FREE 800-447-3693 • F: 913-780-1427
E: info@superiorsignals.com • www.superiorsignals.com