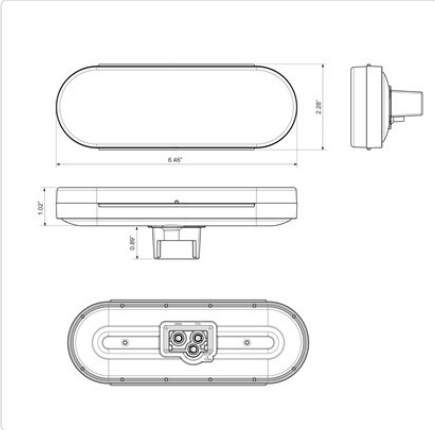
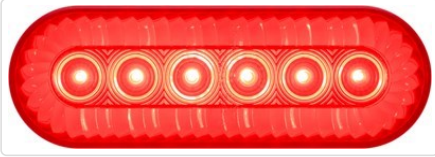


GloLight



STL100 SERIES

STL100RHAB

GloLight® 6" LED Combination Stop/Turn/Tail Light, molded PL-3 plug

Polypack part no. STL100RHABP

Color	Red
Diodes	20
Lumens	--
Mount	Grommet
Connection	PL-3
Pack Qty	10
FMVSS	S2 T2 I6
Housing Material	Polycarbonate
Lens Material	Polycarbonate
Voltage	12V
Amp Draw	.35A Tail .45A Stop
Warranty	Lifetime LED Warranty
Weight	0.300 lbs.
Size/Shape	6" Oval
Dimensions (W x H x D)	6.460 x 2.280 x 1.020

Accessories

Bulk	Description	Qty
A70GB	Grommet for 6" lights, PVC black 80%, 65-75 durometer	50
BK70BB	Steel mounting bracket for 6" lights, powder coated, black	10
A45PB	Three-pin PL-3 straight pigtail, 10" leads, ring terminal on ground, stripped wire ends on power leads	100
A47PB	Three-pin PL-3 right angle pigtail, 10" leads, ring terminal on ground, stripped wire ends on power leads	100