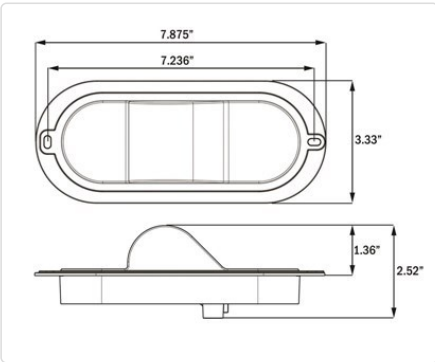


GloLight



STL175 SERIES

STL175AMFB

Flange mount yellow side marker/ E-rated mid-ship turn signal, weathertight connection

Polypack part no. STL175AMFBP

Color	Yellow
Diodes	10
Lumens	--
Mount	Flange - Recess
Connection	Weathertight, 3-pin
Pack Qty	10
FMVSS	E P2
Housing Material	Polycarbonate
Lens Material	Polycarbonate
Voltage	12V
Amp Draw	12.8VDC - .59 Turn, .11A Marker
Warranty	Lifetime LED Warranty
Weight	0.350 lbs.
Size/Shape	6" Oval
Dimensions (W x H x D)	7.875 x 3.330 x 2.520

Accessories

Bulk	Description	Qty
A7TRSSB	Stainless steel trim ring, screw mount (STL75/175)	100
A45PMB	Weathertight 3-wire pigtail, 10" leads, ring terminal on ground, stripped wire ends on power leads	50
AL45PWTB	Adapter: Weathertight plug to female PL-3 plug, 10"	50