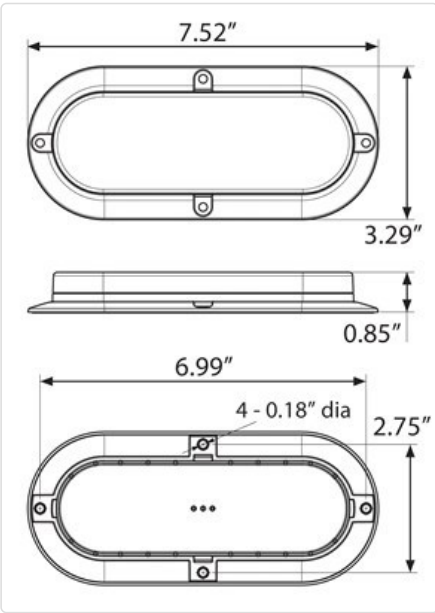


GloLight



STL178 SERIES

STL178R1PG

Low profile red stop/turn/tail light, hard wired, female PL-3 plug

Polypack part no. STL178R1PGP

Color	Red
Diodes	16
Lumens	--
Mount	Flange - Surface
Connection	Hard wired, female PL-3
Pack Qty	10
FMVSS	S2 T2 I6
Housing Material	Polycarbonate
Lens Material	Polycarbonate
Voltage	12V
Amp Draw	.59 Stop/Turn, .295A Tail
Warranty	Lifetime LED Warranty
Weight	0.380 lbs.
Size/Shape	6" Oval
Dimensions (W x H x D)	7.520 x 3.290 x 0.850

Accessories

Bulk	Description	Qty
A178TRSSB	Stainless steel screw mount trim ring for surface flange mount lights (fits STL73/78/002/111/211/1211 series)	50