


LED DASH LIGHTS

DS MINI SERIES

Specifications:

- Voltage: 12VDC-24VDC
- Mount: Permanent with universal brackets
- Light Source: 48 LEDs
- Optics: Linear and diffuser
- Flash Patterns: 21
- Current Draw: 8.0A max@12VDC
5.0A max@24VDC
- Size: 13.9" x 4.72" x 0.76"
350.5mm x 120mm x 19.2mm
- Color: 
- Warranty: 2 Year
- Operating Temperature Range: -22°F to 122°F

Features:

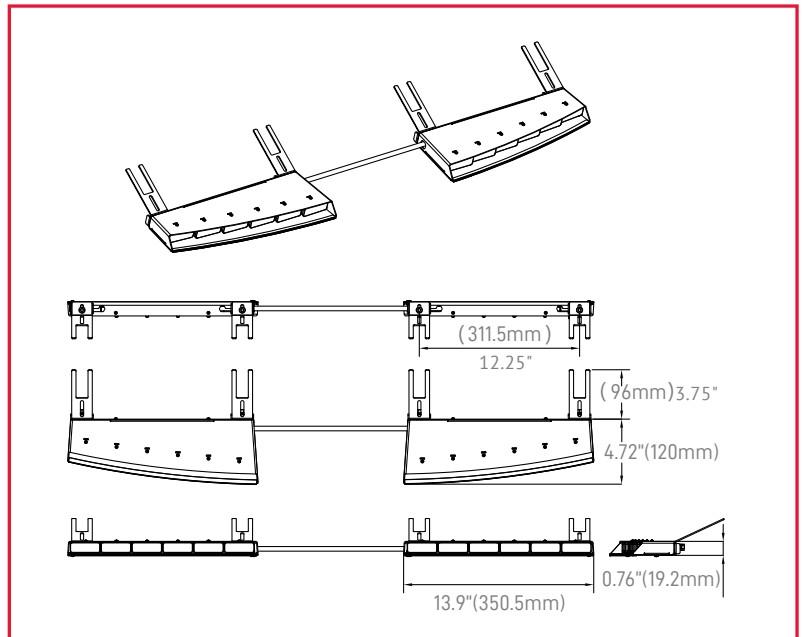
- Connecting Cable Length: 18"
- Connecting Wire: 11.5'
- Programming: Dim, traffic function, take down, super take down, flash 1 memory function, flash 2 memory function, cruise mode

Certifications:

- SAE J595, Class I
- ECE R10
- IP67

RLB Series

PART #	DESCRIPTION	COLOR
SYDSMINI8-AC	LED dash light	Amber/Clear
SYDSMINI8-AB	LED dash light	Amber/Blue



APPLICATIONS:



US: 16355 South Lone Elm Road • Olathe, KS 66062 • USA
Canada: 75 Skyway Drive • Mississauga, ON L5W 0H2 • Canada

P: 913-780-1440 • TOLL FREE 800-447-3693
E: info@superiorsignals.com • www.superiorsignals.com