


# LED MODULES

## SYLEDH06 SERIES

### Specifications:

- Voltage: 12-24VDC
- Light Source: 6 LEDs (Warning Mode), 18 LEDs (Outer Ring)
- Output: 9W
- Current Draw: 1.35A Max @ 12VDC / 0.75A Max @ 24VDC
- Flash Patterns: 14
- Lens: Polycarbonate
- Mounting Base: Aluminum
- Mount: Surface
- Size: 5.20"L x 1.98"H x 0.74"D
- Color: 
- Warranty: 5 Year

### Features:

- Multi-module synchronization
- Built-in selectable flash patterns
- Non-volatile memory recall
- LEDs rated to 100,000 hours of operation
- Reverse polarity protected
- Weatherproof & vibration resistant

### Certifications:

- IPX8
- SAE J592 (A/R) (DOT)
- SAE J595 Class I
- SAE J2042 (A/R) (DOT)
- ECE R10
- ECE R65
- CA Title 13 (A/B/R)

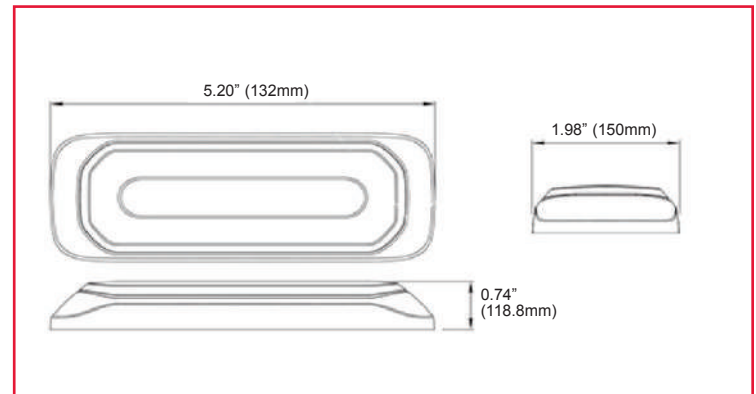


### Flash Patterns

FLASH	PATTERN	FLASH	PATTERN
1	Double	8	Quad (SAE)
2	Single	9	Quint (SAE)
3	Triple	10	Mega
4	Quad	11	Ultra (SAE)
5	Random	12	Single-quad
6	Single (SAE/CA13)	13	Single
7	Double (SAE)	14	Steady

### SYLEDH06 Series

PART #	FLASH	STEADY BURN
TSA/SYLEDH06-AA	Amber	Amber
TSA/SYLEDH06-AR	Amber	Red
TSA/SYLEDH06-CA	Clear	Amber
TSA/SYLEDH06-CR	Clear	Red



### APPLICATIONS:



US: 16355 South Lone Elm Road • Olathe, KS 66062 • USA  
Canada: 1039 Cardiff Blvd. • Mississauga, Ontario L5S 1P4 • Canada

P: 913-780-1440 • TOLL FREE 800-447-3693  
E: [info@superiorsignals.com](mailto:info@superiorsignals.com) • [www.superiorsignals.com](http://www.superiorsignals.com)