

SYSE4 SERIES - LED MODULES

METEORLITE®

SYSE4 SERIES

Specifications:

- Mount: Flange, 2-Hole
- Lens: Polycarbonate
- LEDs per head: 4
- Voltage: 12 - 24VDC
- Current Draw: .56AMP max @ 12.8VDC / .28AMP max @ 25.6VDC
- Power Output: 9 Watt
- Flash Patterns: 19

Flash patterns:

- Random
- Single (split)
- Double (split)
- Quad (split)
- Quint (split)
- Mega (split)
- Ultra (split)
- Single-Quad (split)
- Single H/L (split)
- Single (all)
- Double (all)
- Quad (all)
- Quint (all)
- Mega (all)
- Ultra (all)
- Single-Quad (all)
- Single H/L (all)
- Steady 2 (California)
- Steady 4 (all)

*SPLIT=Head1 alternate Head2 *ALL=all LEDs on

- Warranty: 5 Year
- Features:
 - Multi-module synchronization
 - Simultaneous or alternate flashing
 - Built-in selectable flash patterns
 - Non-volatile memory recalls last flash pattern used at power up
 - LEDs rated to 100,000 hours of operation
 - Reverse polarity protection
 - Weatherproof & vibration resistant design
 - Interior and exterior use
- Colors:

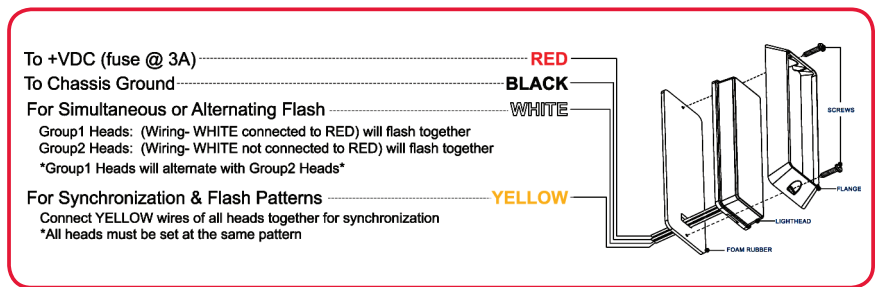
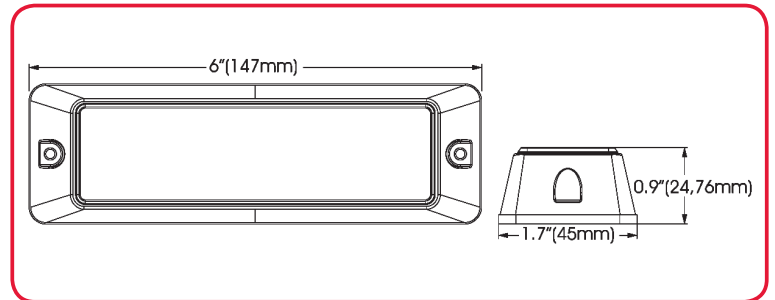
Certifications:

- SAE
- CE
- CA Title 13 (Amber, Blue, & Red only)



Variations:

PART #	DESCRIPTION
SYSE4-A	12-24VDC, Amber LEDs
SYSE4-B	12-24VDC, Blue LEDs
SYSE4-C	12-24VDC, Clear LEDs
SYSE4-R	12-24VDC, Red LEDs
SYSE4-RB	12-24VDC, Red/Blue LEDs



APPLICATIONS:



US: 16355 South Lone Elm Road • Olathe, KS 66062 • USA
 Canada: 1039 Cardiff Blvd. • Mississauga, Ontario L5S 1P4 • Canada

P: 913-780-1440 • TOLL FREE 800-447-3693 • F: 913-780-1427
 E: info@superiorsignals.com • www.superiorsignals.com