

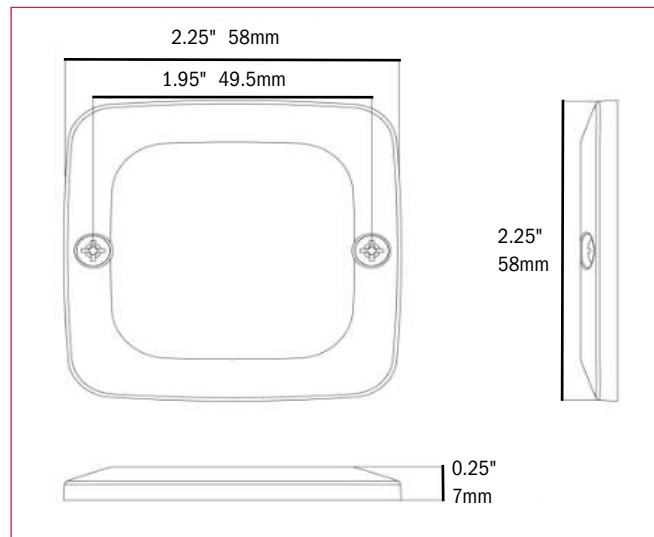


LED MODULES

SYSQ SERIES

Specifications:

- Voltage: 12-24VDC
- Lighting Source: 4 LEDs
- Output: 5.4W
- Current Draw: 0.23A Max @ 12VDC /
0.12A Max @ 24VDC
- Flash Patterns: 25
- Lens: Polycarbonate
- Mounting Base: Aluminum
- Mount: Surface (Screw or 3M adhesive)
- Size: 2.25"L x 2.25"H x 0.25"D
58mm x 58mm x 7mm
- Colors:  
- Warranty: 5 Year



Features:

- Square design allows versatile mounting & orientation
- Multi-unit synchronization up to 20 units
- Reverse polarity protection
- Weatherproof and vibration resistant design for external use
- Solid aluminum backing for efficient heat dissipation and maximum durability
- Self-adhesive backing for quick & easy installation

Certifications:

- SAE J595 Class 1
- ECE R10
- CA Title 13
- IPX7

Flash Patterns

FLASH	PATTERN
1	SINGLE (2Hz)
2	DOUBLE (2Hz)
3	TRIPLE (2Hz)
4	QUAD (2Hz)
5	RANDOM
6	STEADY / CRUISE
7	SINGLE (SAE/CA13)
8	DOUBLE SAE

FLASH	PATTERN
9	TRIPLE SAE
10	QUAD SAE
11	QUINT SAE
12	MEGA
13	GIGA
14	ULTRA SAE
15	SINGLE - QUAD
16	SINGLE H/L
17	SINGLE - TRIPLE-QUINT

SYSQ Series

PART #	COLOR
SYSQLED4-A	Amber
SYSQLED4-C	Clear

APPLICATIONS:



US: 16355 South Lone Elm Road • Olathe, KS 66062 • USA
Canada: 75 Skyway Drive • Mississauga, ON L5W 0H2 • Canada

P: 913-780-1440 • TOLL FREE 800-447-3693
E: info@superiorsignals.com • www.superiorsignals.com