

# LED BEACONS

## W SERIES

### Specifications:

- Voltage: 12-24VDC
- Mounting Base: Die cast aluminum
- Lens: Polycarbonate
- Light Source: High intensity LED
- Flash Pattern: 11
- Current Draw: 2.60A-3.20A @ 13.50VDC  
1.20A-1.50A @ 28VDC
- Size: 2.00"H x 4.75"W  
51mm x 121mm
- Color: ●
- Warranty: 2 Year



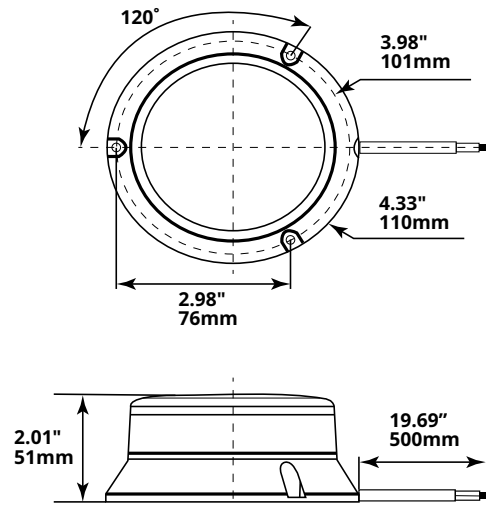
### Features:

- Non-volatile memory recall
- Reverse polarity protected

### Certifications:

- ECE R10 EMC
- CISPR 25 Class 3
- SAE J845 Class 1

	Color
SYWMINIP-A	Amber



US: 16355 South Lone Elm Road • Olathe, KS 66062 • USA  
Canada: 75 Skyway Drive • Mississauga, ON L5W 0H2 • Canada

P: 913-780-1440 • TOLL FREE 800-447-3693  
E: [info@superiorsignals.com](mailto:info@superiorsignals.com) • [www.superiorsignals.com](http://www.superiorsignals.com)