

Safety Message to Installers of Warning Light Equipment

▲ WARNING

People's lives depend on your proper installation and servicing of Federal Signal products. It is important to read and follow all instructions shipped with this product and the original product. Listed below are some other important safety instructions and precautions you should follow:

- To properly install the lighting system, you must have a good understanding of automotive systems, along with proficiency in the installation and use of safety warning equipment.
- Do not install equipment or route wiring in the deployment path of an airbag.
- If a vehicle seat is temporarily removed, verify with the vehicle manufacturer if the seat needs to be recalibrated for proper airbag deployment.
- When drilling into a vehicle structure, ensure that both sides of the surface are clear of anything that could be damaged.
- Do not stare directly into the lights at a close range, or permanent damage to your eyesight may occur.
- Frequently inspect the light system to ensure that it is operating properly and that it is securely attached to the vehicle.
- Refer to the instructions packed with related products for additional precautions and information.
- File these instructions in a safe place and refer to them when maintaining and/or reinstalling the product.

Failure to follow all safety precautions and instructions may result in property damage, serious injury, or death.

Introduction

This publication covers the installation of the Federal Signal XStream™ warning light system in the front headliner of various vehicles. The mounting options are configured with the product. All mounting systems consist of steel mounting brackets, all of which are powder coated. Mounting hardware is included with each kit.

Unpacking the Kit

For a parts list for your application, see the tables on pages 3 and 4. After unpacking the kit, inspect it for damage that may have occurred in transit. If it has been damaged, do not attempt to install or operate it. File a claim immediately with the carrier, stating the extent of the damage. Carefully check all envelopes, shipping labels, and tags before removing or destroying them. Ensure that the parts in the Kit Contents List are included in the package. If you are missing any parts, contact Customer Support at 1-800-264-3578, 7 a.m. to 5 p.m., Monday through Friday (CT).

Installing the XStream

⚠ WARNING

AIRBAG DEPLOYMENT: Do not install equipment or route wiring in the deployment path of an airbag. Failure to observe this warning will reduce the effectiveness of the airbag or potentially dislodge the equipment, causing serious injury or death.

NOTICE

DRILLING PRECAUTION: When drilling holes, check the area you are drilling into to ensure that you do not damage vehicle components. All drilled holes should be deburred, and all sharp edges should be smoothed. All wire routings going through drilled holes should be protected by a grommet or convolute/split loom tubing.

IMPORTANT: Plan all cable routing before the installation. For wiring instructions, refer to instruction sheet 25500381.

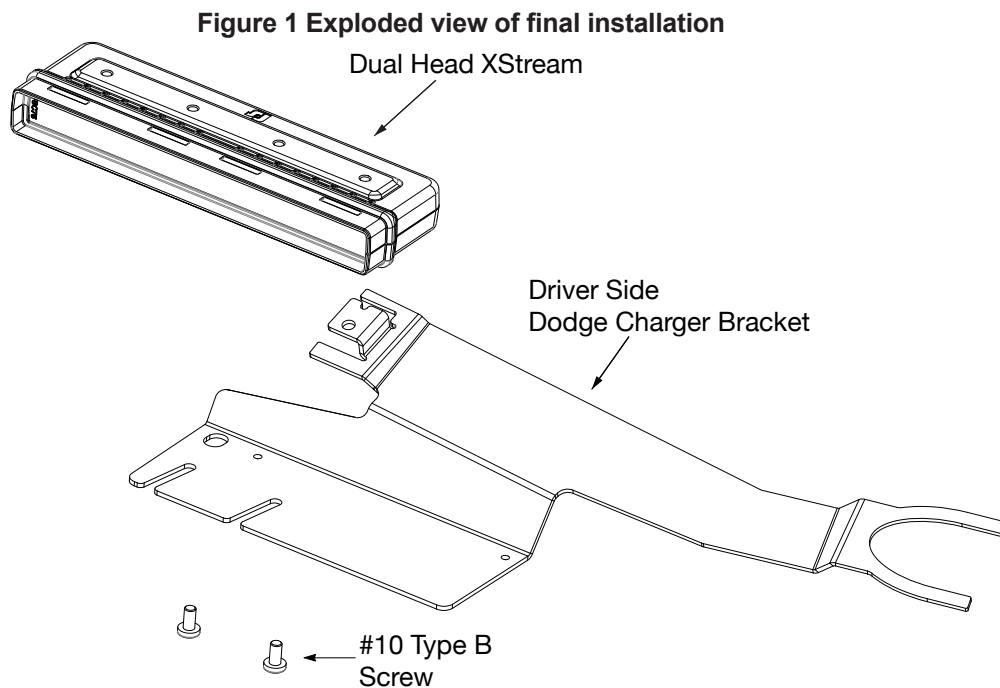
NOTE: The bracket shown varies with the application. For the kit contents lists, see page 3.

To mount a vehicle-specific XStream bracket kit:

1. Start the #10 screws (included with XStream) into the bottom of the XStream. Leave a clearance gap so the XStream can slide onto the bracket.
2. Following the manufacturer's service procedure, loosen the sun visor pivot and remove the inner sun visor clip.
3. Slide the bracket onto the back of the sun visor pivot.
4. Place the bracket on the back of the inner sun visor clip and insert and tighten the screw just enough to allow for adjustment.

NOTE: A longer #8 screw is provided for the Dodge Charger.

5. Slide the XStream onto the bracket. See Figure 1 for the final installation exploded view.



Mounting Instructions for the XStream® Vehicle-Specific Bracket Kits

6. Ensure that the XStream is tight against the windshield.
7. Tighten all hardware. **Do not overtighten.**
8. Repeat procedure for the opposite side.

Kit Contents Lists

For the contents of the kit specific to your vehicle or application, see the following tables.

Table 1 2011+ Dodge Charger (XSMBKT07) Kit Contents

Qty.	Description	Part Number
1	Driver Side Dual Camera XStream, Charger Bracket	861302777
1	Passenger Side Dual Camera XStream, Charger Bracket	861302778
2	Phillips #10 Type B Pan Head Thread Forming Screw	7011A069-16
2	0.406 X 0.812 X 0.063 Flat Steel Washer	7072A034

Table 2 2011-2019 Ford Police Interceptor Utility (XSMBKT08) Kit Contents

Qty.	Description	Part Number
1	Driver Side Dual Camera XStream Visor Ford Police Interceptor Utility Bracket	861302772
1	Passenger Side Dual Camera XStream Visor Ford Police Interceptor Utility Bracket	861302773
2	Phillips #10 Type B Pan Head Thread Forming Screw	7011A069-16
2	0.406 X 0.812 X 0.063 Flat Steel Washer	7072A034

Table 3 2015-2020 Chevy Tahoe (XSMBKT09) Kit Contents

Qty.	Description	Part Number
1	Driver Side Dual Camera XStream Tahoe Bracket	861302775
1	Passenger Side Dual Camera XStream Tahoe Bracket	861302776
2	Phillips #10 Type B Pan Head Thread Forming Screw	7011A069-16
2	0.406 X 0.812 X 0.063 Flat Steel Washer	7072A034

Table 4 2015+ Ford F-150 (XSMBKT10) Kit Contents

Qty.	Description	Part Number
1	Driver Side Dual Camera XStream F-150 Bracket	861302962
1	Passenger Side Dual Camera XStream F-150 Bracket	861302963
2	Phillips #10 Type B Pan Head Thread Forming Screw	7011A069-16
2	0.406 X 0.812 X 0.063 Flat Steel Washer	7072A034

Table 5 2020+ Ford Police Interceptor Utility (XSMBKT11) Kit Contents

Qty.	Description	Part Number
1	Driver Side Dual Camera XStream Police Interceptor Bracket	861303142
1	Passenger Side Dual Camera XStream Police Interceptor Bracket	861303143
2	Phillips #10 Type B Pan Head Thread Forming Screw	7011A069-16
2	0.406 X 0.812 X 0.063 Flat Steel Washer	7072A034

Mounting Instructions for the XStream® Vehicle-Specific Bracket Kits

Table 6 2011+ Dodge Durango (XSMBKT12) Kit Contents

Qty.	Description	Part Number
1	11DUR Driver Side Dual Camera XStream Durango Bracket	861303261
1	11DUR Passenger Side Dual Camera XStream Durango Bracket	861303262
2	Phillips #10 Type B Pan Head Thread Forming Screw	7011A069-16
2	0.406 X 0.812 X 0.063 Flat Steel Washer	7072A034

Table 7 2021+ Chevy Tahoe (XSMBKT14) Kit Contents

Qty.	Description	Part Number
1	21TAH Driver Side Dual Camera XStream Tahoe Bracket	861303563
1	21TAH Passenger Side Dual Camera XStream Tahoe Bracket	861303564
2	Phillips #10 Type B Pan Head Thread Forming Screw	7011A069-16
2	0.406 X 0.812 X 0.063 Flat Steel Washer	7072A034

Getting Technical Support

For technical support, please contact:

Federal Signal Corporation
Service Department
Phone: 1-800-433-9132
Email: empserviceinfo@fedsig.com

Getting Repair Service

The Federal Signal factory provides technical assistance with any problems that cannot be handled locally. Any units returned to Federal Signal for service, inspection, or repair must be accompanied by a Return Material Authorization (RMA). Obtain an RMA from a local Distributor or Manufacturer's Representative. Provide a brief explanation of the service requested or the nature of the malfunction.

Address all communications and shipments to the following:

Federal Signal Corporation
Service Department
2645 Federal Signal Dr.
University Park, IL 60484-3167



FEDERAL SIGNAL
Safety and Security Systems

2645 Federal Signal Drive
University Park, Illinois 60484-3167

www.fedsig.com

Customer Support

Police/Fire-EMS: 800-264-3578 • +1 708 534-3400

Work Truck: 800-824-0254 • +1 708 534-3400

Technical Support: 800-433-9132 • +1 708 534-3400

© Copyright 2019-2021 Federal Signal Corporation

All product names or trademarks are properties of their respective owners.