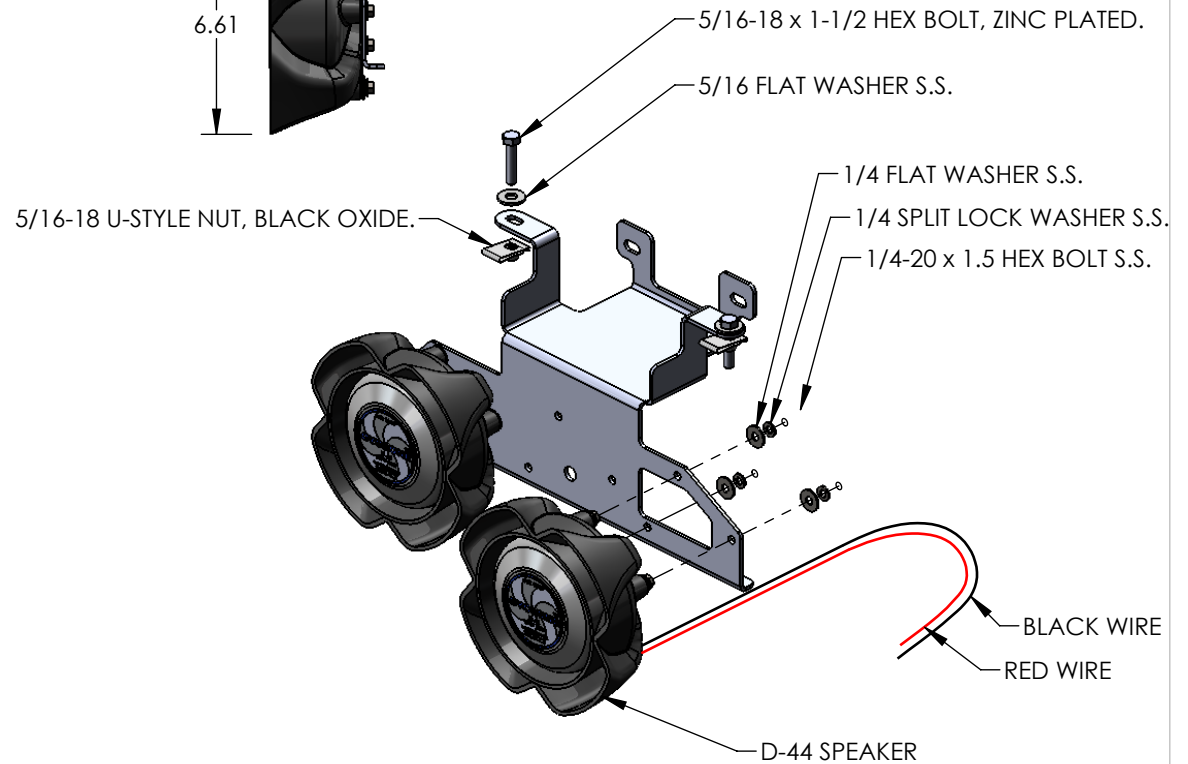
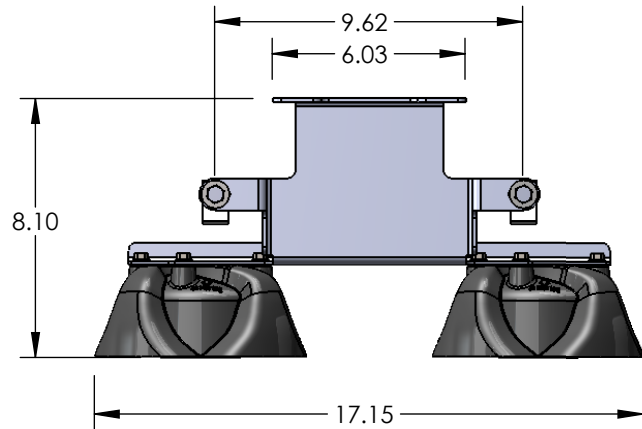
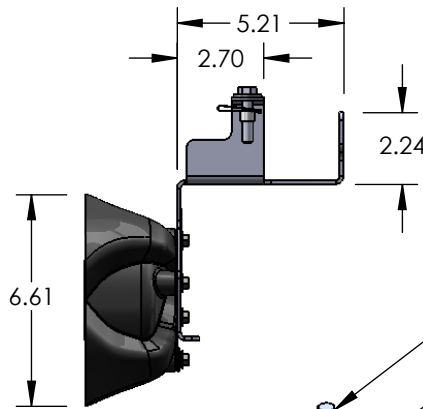
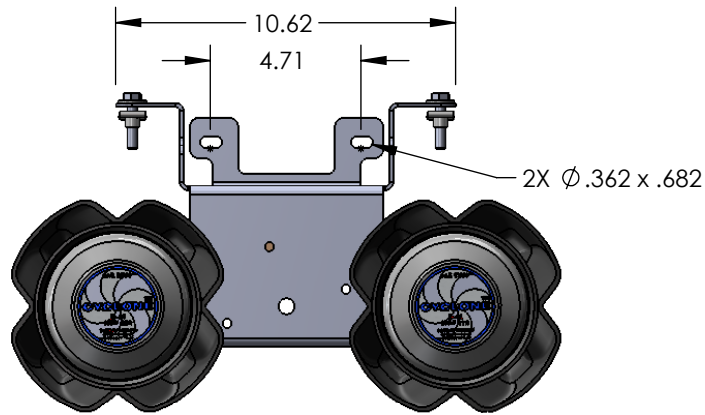


REV.	ECR	DESCRIPTION	DATE
-	11976	INITIAL DRAWING REQUEST	05/20/2014



SPECIFICATIONS:

Power 100W.
 Impedance 11 ohms.
 Connections: 18 in wires exiting the unit.
 Mounting: 4 Slots, Pattern 4.7" and 9.6"

MATERIALS:

Speaker Housing: Glass Filled Nylon.
 Speaker Mounting Bracket: 11 gage CRS.
 Speaker Mounting Hardware: Stainless Steel.

CONNECTIONS:

18 Gage Red Wire.
 18 Gage Black Wire.

APPROVALS: (When used with SVP Sirens)

SAE J1849
 CA Title 13

UNLESS OTHERWISE SPECIFIED DIMENSIONS ARE IN INCHES TOLERANCES: ANGULAR: ± 2 DEG. .X ± .100 .XX ± .020 .XXX ± .005 .XXXX ± .001	DRAWN BY: EP	STAR HEADLIGHT & LANTERN CO., INC. 455 Rochester St. Avon NY 14414 Ph:(585) 226-9500 Fax: (585) 226-2029
	DRAWING APPROVED BY ECR	
RoHS COMPLIANT: Yes	THE INFORMATION CONTAINED IN THIS DRAWING IS THE SOLE PROPERTY OF STAR HEADLIGHT & LANTERN CO., INC.. ANY REPRODUCTION IN PART OR AS A WHOLE WITHOUT THE WRITTEN PERMISSION OF STAR HEADLIGHT & LANTERN CO., INC. IS STRICTLY PROHIBITED.	MODEL: D-44-32
MATERIAL: N/A		TITLE: D-44 DUAL BRACKET, 2011-14 DODGE CHARGER
FINISH: N/A		DWG. NO. D-44-32 REV -
		SCALE: 1:8 DO NOT SCALE FROM DRAWING SHEET 1 OF 1