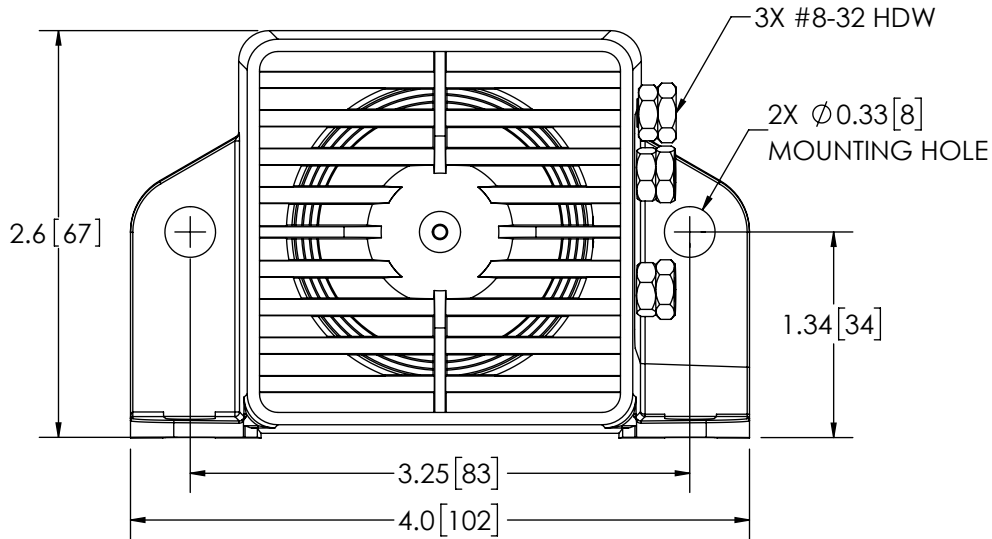
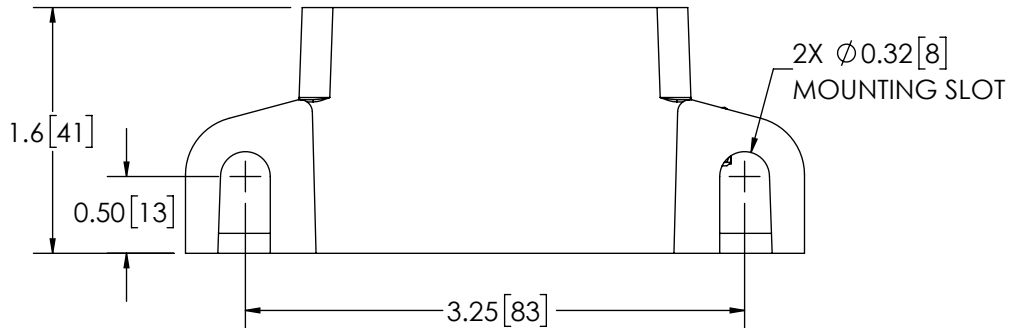


REVISION HISTORY		
REV.	DESCRIPTION	DATE
06	REVISED PER P10020	2011-10-25
A	INITIAL RELEASE PER P10020	2011-12-20
B	REVISED PER EL0169	2021-06-04




SPECIFICATIONS

- CERTIFICATIONS: **CE**; ECE R10; IP64D
Note: Unique components, accessories, and hardware kits are not typically included in the Product Certification Test Protocols. Unless otherwise Specified, the Product Certifications referred to herein are predicated upon the base product model configuration.
- SOUND PRESSURE LEVEL: 97 ± 4 dB (A) @ 1.2m (4ft)
93 ± 4 dB (A) @ 1.2m (4ft)
- VOLTAGE (NOMINAL): 12 VDC
- VOLTAGE (EXTREME): 9.0 to 16.0 VDC
- CURRENT (PEAK): 0.2 A (@ 12 VDC NOMINAL)
- POWER (MAXIMUM): 3.4 W (@ 12 VDC NOMINAL)
- TEMPERATURE RANGE: -40°F (-40°C) TO 185°F (85°C)
- FREQUENCY: 700 to 2800 Hz
- CONNECTION: 8-32 UNI STUD CONNECTION
- RECOMMENDED MOUNTING: 5/16-18 UNC, GRADE 5 OR BETTER; 5/16" TYPE A, SERIES N OR W
- HOUSING MATERIAL: GLASS-FILLED NYLON
- PRODUCT WEIGHT: 0.625 LBS (0.281 Kg)



NOTES:
1. DIMENSIONS IN INCHES [MILLIMETERS (FOR REFERENCE)]

SCALE 1:1.25		APPROVALS	DATE	 ECCO [®] www.eccolink.com Americas (800) 635-5900 Europe +44 (0)113 237 5340 Asia Pacific +61 (0)3 63322444
CAD GENERATED DRAWING DO NOT MANUALLY UPDATE. MODEL REFERENCED: A		DRAWN BY ABB	2020-09-21	
TOLERANCES ARE IN INCHES, AND MILLIMETERS TOLERANCES UNLESS OTHERWISE STATED ARE:		CHECKED MDH	2020-09-22	
MILLIMETERS DECIMALS XX ± 1.0mm XX.X ± 0.5mm	INCHES DECIMALS X.X ± 0.1 X.XX ± 0.04 X.XXX ± 0.02	MECH. ENG. JLA	2020-09-22	
		ELEC. ENG. SPO	2020-09-22	
		TEST ENG. JRT	2020-09-22	
		SALES. ARS	2020-09-29	
CUSTOMER PART NO. DS232				
SIZE: A	DWG. NO. DS232	REV. B		
Electronically Controlled Use Latest Copy		SHEET 1 OF 1	Project: P10020	Date Created: 2010-11-02

PROPRIETARY AND CONFIDENTIAL INFORMATION
THIS DRAWING AND THE DESIGN AND OTHER INFORMATION DISCLOSED HEREIN ARE THE PROPERTY OF ELECTRONIC CONTROLS COMPANY AND/OR ITS ECCO SAFETY GROUP AFFILIATES ("ECCO") AND IS ISSUED IN CONFIDENCE TO RECIPIENT FOR ENGINEERING INFORMATION PURPOSES ONLY. THIS DRAWING AND THE DESIGN AND OTHER INFORMATION DISCLOSED HEREIN MAY NOT BE USED, COPIED, REPRODUCED OR OTHERWISE DISCLOSED IN PART OR IN WHOLE TO THIRD PARTIES OR USED FOR ANY OTHER PURPOSE WITHOUT PRIOR ECCO WRITTEN CONSENT. ECCO RESERVES ALL PATENT, COPYRIGHT, TRADEMARK AND OTHER PROPRIETARY RIGHTS TO THIS DOCUMENT, INCLUDING ALL DESIGN, MANUFACTURING, REPRODUCTION, USE AND SALES RIGHTS THERETO. THIS DRAWING IS SUBJECT TO RECALL BY ECCO AT ANY TIME, AND YOUR POSSESSION AND/OR USE CONSTITUTES ACCEPTANCE OF THESE TERMS. ©2010 ELECTRONIC CONTROLS COMPANY

