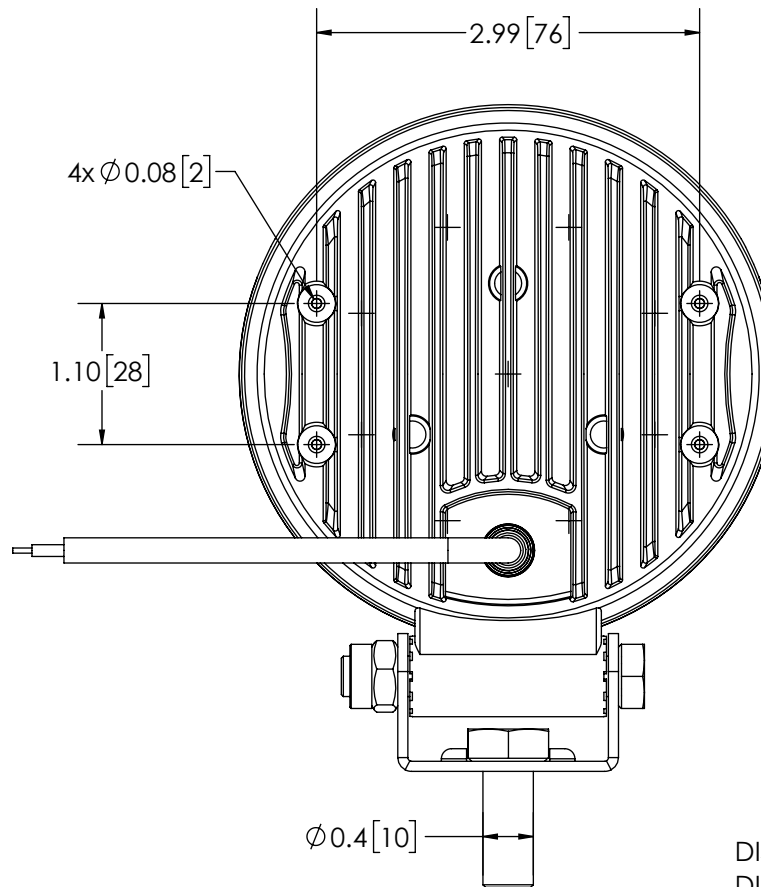
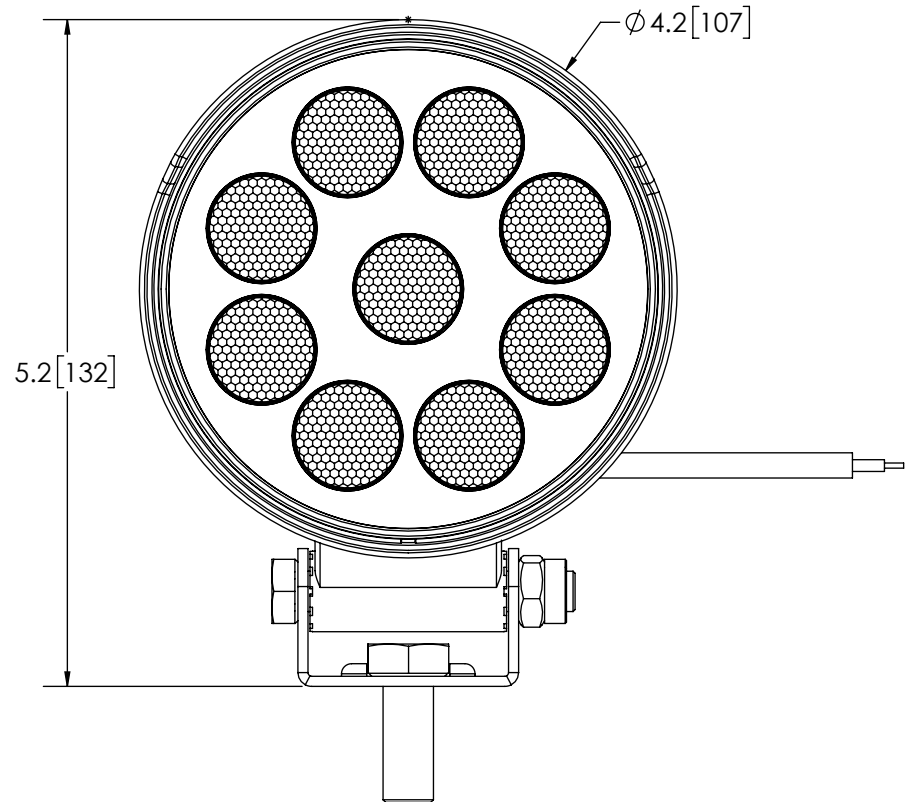
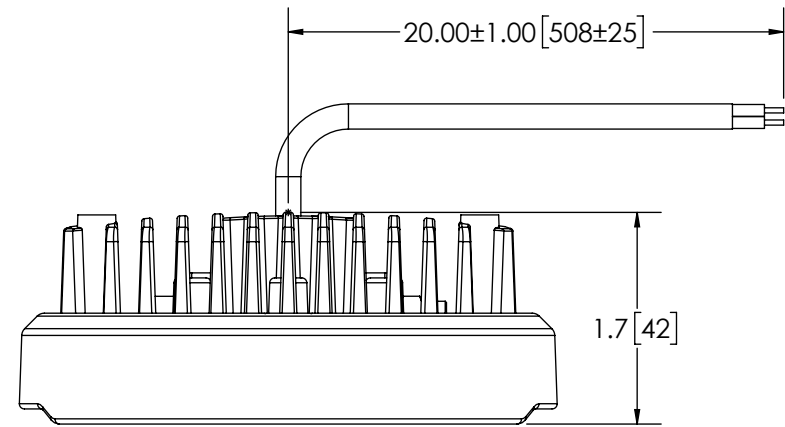


REVISION HISTORY		
REV.	DESCRIPTION	DATE
A	INITIAL RELEASE PER EC3410	2013-08-21
B	REVISE PER EC3410	2016-11-11
C	REVISED PER EC6099	2021-07-22



SPECIFICATIONS

- CERTIFICATIONS: **CE**; ECE R10; ; RoHS
Note: Unique components, accessories, and hardware kits are not typically included in the Product Certification Test Protocols. Unless otherwise Specified, the Product Certifications referred to herein are predicated upon the base product model configuration.
- RAW LUMENS: 700 lumens
- EFFECTIVE LUMENS: 675 lumens
- ILLUMINANCE (@100 FT): 2.22 lux
- PEAK BEAM INTENSITY: 2069 candela
- VOLTAGE (NOMINAL): 12 to 24 VDC
- VOLTAGE (EXTREME): 10 to 30 VDC
- CURRENT (PEAK): 0.6A (@ 12 VDC NOMINAL)
- POWER (MAXIMUM): 8.9W (@ 12 VDC NOMINAL)
- TEMPERATURE RANGE: -22°F (-30°C) TO 122°F (50°C)
- CONNECTION: 2 CONDUCTOR CABLE
- MOUNTING: SINGLE BOLT
- HOUSING MATERIAL: ALUMINUM
- LENS MATERIAL: POLYCARBONATE
- PRODUCT WEIGHT: 1.3 LBS (0.59 Kg)

DISCLAIMER

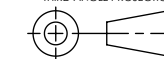
DIMENSIONS, ILLUSTRATIONS, SPECIFICATIONS, AND CERTIFICATIONS CONTAINED IN THIS DOCUMENT ARE TYPICAL OF THE ACTUAL PRODUCT AND ARE SUBJECT TO CHANGE. ECCO ENGINEERING DOES NOT MAINTAIN FORMAL DESIGN CONTROL OF THIS PRODUCT.

- NOTES:
 1. ROHS COMPLIANT
 2. DIMENSIONS IN INCHES[MILLIMETERS (FOR REFERENCE)]

PROPRIETARY AND CONFIDENTIAL INFORMATION

THIS DRAWING AND THE DESIGN AND OTHER INFORMATION DISCLOSED HEREIN ARE THE PROPERTY OF ELECTRONIC CONTROLS COMPANY AND/OR ITS ECCO SAFETY GROUP AFFILIATES ("ECCO") AND IS ISSUED IN CONFIDENCE TO RECIPIENT FOR ENGINEERING INFORMATION PURPOSES ONLY. THIS DRAWING AND THE DESIGN AND OTHER INFORMATION DISCLOSED HEREIN MAY NOT BE USED, COPIED, REPRODUCED OR OTHERWISE DISCLOSED IN PART OR IN WHOLE TO THIRD PARTIES OR USED FOR ANY OTHER PURPOSE WITHOUT PRIOR ECCO WRITTEN CONSENT. ECCO RESERVES ALL PATENT, COPYRIGHT, TRADEMARK AND OTHER PROPRIETARY RIGHTS TO THIS DOCUMENT, INCLUDING ALL DESIGN, MANUFACTURING, REPRODUCTION, USE AND SALES RIGHTS THEREIN. THIS DRAWING IS SUBJECT TO RECALL BY ECCO AT ANY TIME, AND YOUR POSSESSION AND/OR USE CONSTITUTES ACCEPTANCE OF THESE TERMS. ©2013 ELECTRONIC CONTROLS COMPANY

SCALE 1:1.5	APPROVALS	DATE	ECCO ® www.eccolink.com Americas (800) 635-5900 Europe +44 (0)113 237 5340 Asia Pacific +61 (0)3 63322444 WORK LAMP, 6 LED, ROUND, FLOOD, 12-24V CUSTOMER PART NO. E92004											
CAD GENERATED DRAWING DO NOT MANUALLY UPDATE. MODEL REFERENCED:	DRAWN BY MDH	2020-08-12												
TOLERANCES ARE IN INCHES, AND MILLIMETERS TOLERANCES UNLESS OTHERWISE STATED ARE:	CHECKED ABB	2020-08-13												
<table border="1"> <tr> <th>MILLIMETERS DECIMALS</th> <th>INCHES DECIMALS</th> <th>ANGLES</th> </tr> <tr> <td>XX. ± 1.0mm</td> <td>X.X ± 0.1</td> <td>± 0.5°</td> </tr> <tr> <td>XX.X ± 0.5mm</td> <td>X.XX ± 0.04</td> <td>FRACTIONS</td> </tr> <tr> <td></td> <td>X.XXX ± 0.02</td> <td>± 1/64</td> </tr> </table>	MILLIMETERS DECIMALS	INCHES DECIMALS		ANGLES	XX. ± 1.0mm	X.X ± 0.1	± 0.5°	XX.X ± 0.5mm	X.XX ± 0.04	FRACTIONS		X.XXX ± 0.02	± 1/64	MECH. ENG. JLA
MILLIMETERS DECIMALS	INCHES DECIMALS	ANGLES												
XX. ± 1.0mm	X.X ± 0.1	± 0.5°												
XX.X ± 0.5mm	X.XX ± 0.04	FRACTIONS												
	X.XXX ± 0.02	± 1/64												
	ELEC. ENG. JES	2020-08-20												
	TEST ENG.													
	SALES. ARS	2020-08-12												
THIRD ANGLE PROJECTION			SIZE: B DWG. NO. E92004 REV. C SHEET 1 OF 1 Project: EC3410 Date Created: 2013-07-25											



Electronically Controlled Use Latest Copy