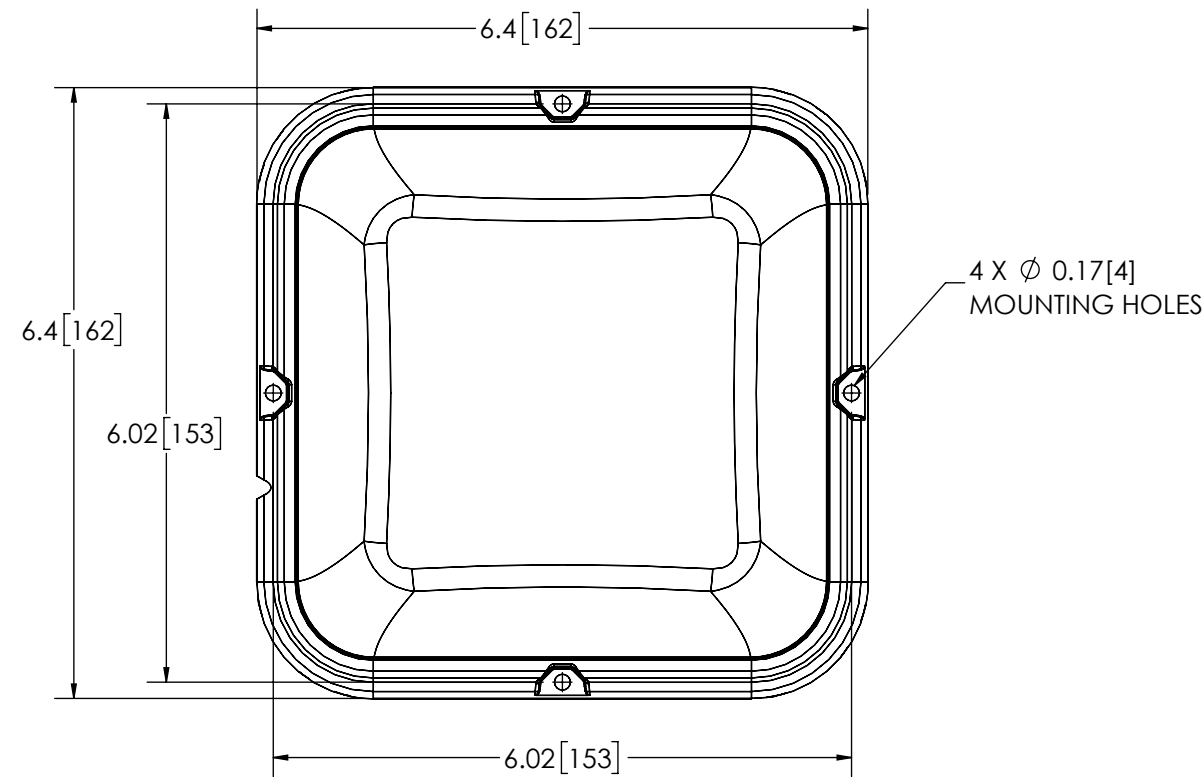
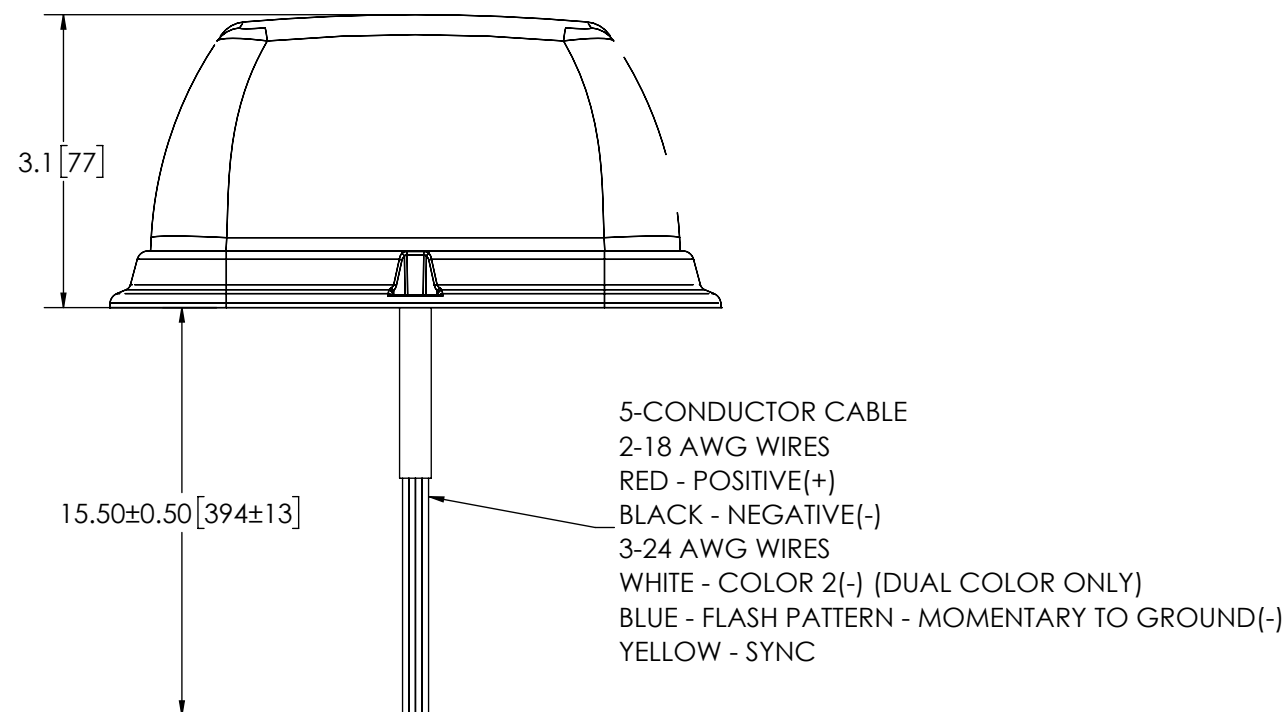


REVISION HISTORY		
REV.	DESCRIPTION	DATE
B	REVISE PER EL0117	2017-11-22
C	REVISE PER EC5072	2018-06-14
D	REVISED PER EC5072	2019-05-09



SPECIFICATIONS

- CERTIFICATIONS: ECE R10; AMECA/SAE (SEE CHART); CA Title 13 (SEE CHART); IP55
Note: Unique components, accessories, and hardware kits are not typically Included in the Product Certification Test Protocols. Unless otherwise Specified, the Product Certifications referred to herein are predicated upon the base product model configuration.
- FLASH MODE: SINGLE : 120 ± 5 FLASHES PER MINUTE
DOUBLE : 120 ± 5 FLASHES PER MINUTE
QUAD : 120 ± 5 FLASHES PER MINUTE
- VOLTAGE (NOMINAL): 12 to 24 VDC
- VOLTAGE (EXTREME): 10 to 30 VDC
- CURRENT (PEAK): 8.56A (@ 12 VDC NOMINAL)
- POWER (MAXIMUM): 109.6W (@ 12 VDC NOMINAL)
- TEMPERATURE RANGE: -22°F (-30°C) TO 122°F (50°C)
- CONNECTION: 2 - 18 AWG + 3 - 24 AWG CABLE
- MOUNTING: 4 BOLT
- BASE MATERIAL: ALUMINUM
- LENS MATERIAL: POLYCARBONATE
- PRODUCT WEIGHT: 1.5 LBS (0.68 Kg)



FGS PRODUCT CHART			
FGS NO.	COLOR	J845 (JUN 2013)	CA TITLE 13
EB7185AAA-T13	AMBER/AMBER/AMBER	CLASS 1; AMBER	CLASS E; AMBER
EB7185CAC-T13	WHITE/AMBER/WHITE	CLASS 1; AMBER, WHITE	CLASS E; AMBER
EB7185CAA-T13	WHITE/AMBER/WHITE	CLASS 1; AMBER	CLASS E; AMBER


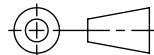
MOUNTING DISCLAIMER
MOUNTING MEASUREMENT IS FOR REFERENCE ONLY. MEASURE BEFORE DRILLING.

DISCLAIMER
DIMENSIONS, ILLUSTRATIONS, SPECIFICATIONS, AND CERTIFICATIONS CONTAINED IN THIS DOCUMENT ARE TYPICAL OF THE ACTUAL PRODUCT AND ARE SUBJECT TO CHANGE.
ECCO ENGINEERING DOES NOT MAINTAIN FORMAL DESIGN CONTROL OF THIS PRODUCT.

- NOTES:
- ROHS COMPLIANT
 - DIMENSIONS IN INCHES [MILLIMETERS (FOR REFERENCE)]

PROPRIETARY AND CONFIDENTIAL INFORMATION

THIS DRAWING AND THE DESIGN AND OTHER INFORMATION DISCLOSED HEREIN ARE THE PROPERTY OF ELECTRONIC CONTROLS COMPANY AND/OR ITS ECCO SAFETY GROUP AFFILIATES ("ECCO") AND IS ISSUED IN CONFIDENCE TO RECIPIENT FOR ENGINEERING INFORMATION PURPOSES ONLY. THIS DRAWING AND THE DESIGN AND OTHER INFORMATION DISCLOSED HEREIN MAY NOT BE USED, COPIED, REPRODUCED OR OTHERWISE DISCLOSED IN PART OR IN WHOLE TO THIRD PARTIES OR USED FOR ANY OTHER PURPOSE WITHOUT PRIOR ECCO WRITTEN CONSENT. ECCO RESERVES ALL PATENT, COPYRIGHT, TRADEMARK AND OTHER PROPRIETARY RIGHTS TO THIS DOCUMENT, INCLUDING ALL DESIGN, MANUFACTURING, REPRODUCTION, USE AND SALES RIGHTS THEREIN. THIS DRAWING IS SUBJECT TO RECALL BY ECCO AT ANY TIME, AND YOUR POSSESSION AND/OR USE CONSTITUTES ACCEPTANCE OF THESE TERMS. ©2017 ELECTRONIC CONTROLS COMPANY

SCALE 1:2		APPROVALS	DATE	 ECCO www.eccolink.com Americas (800) 635-5900 Europe +44 (0)113 237 5340 Asia Pacific +61 (0)3 63322444														
CAD GENERATED DRAWING DO NOT MANUALLY UPDATE. MODEL REFERENCED: A		DRAWN BY ABD	2019-04-18															
TOLERANCES ARE IN INCHES, AND MILLIMETERS TOLERANCES UNLESS OTHERWISE STATED ARE:		CHECKED MDH	2019-04-19															
<table border="1"> <tr> <th>MILLIMETERS DECIMALS</th> <th>MILLIMETERS FRACTIONS</th> <th>INCHES DECIMALS</th> <th>INCHES FRACTIONS</th> <th>ANGLES</th> </tr> <tr> <td>XX ± 1.0mm</td> <td>XX ± 0.1</td> <td>XX ± 0.04</td> <td>XX ± 0.04</td> <td>± 0.5°</td> </tr> <tr> <td>XX.X ± 0.5mm</td> <td>XX.X ± 0.02</td> <td>XX.XX ± 0.02</td> <td>XX.XX ± 0.02</td> <td>± 1/64</td> </tr> </table>		MILLIMETERS DECIMALS	MILLIMETERS FRACTIONS	INCHES DECIMALS	INCHES FRACTIONS	ANGLES	XX ± 1.0mm	XX ± 0.1	XX ± 0.04	XX ± 0.04	± 0.5°	XX.X ± 0.5mm	XX.X ± 0.02	XX.XX ± 0.02	XX.XX ± 0.02	± 1/64	MECH. ENG. JLA	2019-04-18
MILLIMETERS DECIMALS	MILLIMETERS FRACTIONS	INCHES DECIMALS	INCHES FRACTIONS	ANGLES														
XX ± 1.0mm	XX ± 0.1	XX ± 0.04	XX ± 0.04	± 0.5°														
XX.X ± 0.5mm	XX.X ± 0.02	XX.XX ± 0.02	XX.XX ± 0.02	± 1/64														
THIRD ANGLE PROJECTION		ELEC. ENG. SPO	2019-04-19															
		TEST ENG. JRT	2019-04-19															
		SALES. ARS	2019-04-18															
Electronically Controlled Use Latest Copy				LED BEACON, SQ, DBL STACK, 12-24V, T13 CUSTOMER PART NO. SEE CHART PRODUCT SERIES: EB7185														
SIZE: B	DWG. NO. EB7185XXX-T13	REVISION: D																
SHEET 1 OF 1	Project: EL0117	Date Created: 2017-09-22																