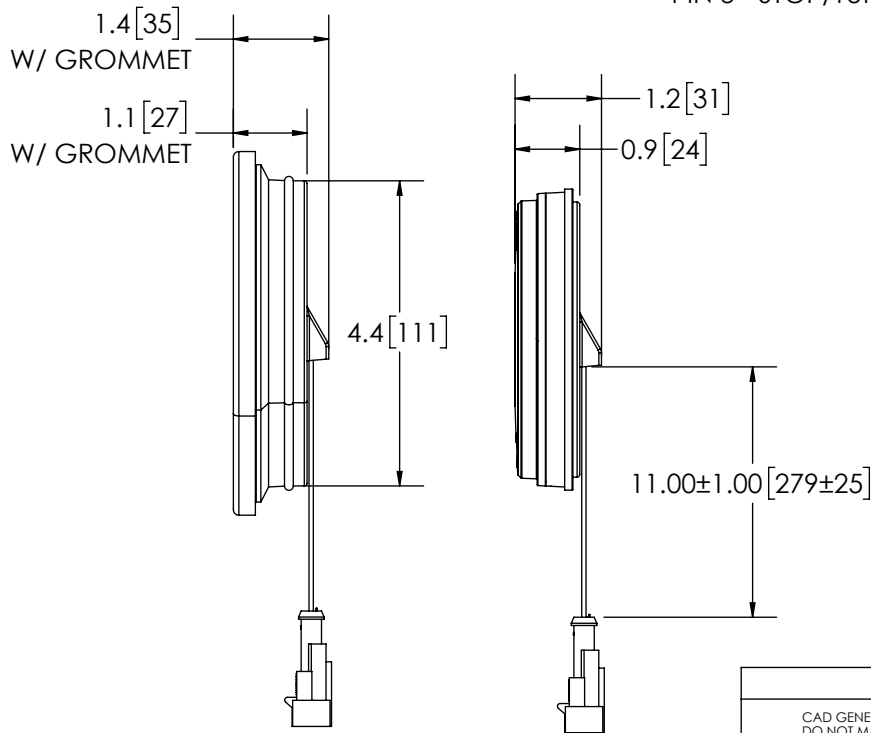


5-18 AWG WIRES STRIPPED & TINNED
 RED(+) - POWER, COLOR 1
 WHITE(+) - POWER, COLOR 2
 GRAY(+) - REVERSE
 YELLOW - SYNC
 BLUE(-) - FLASH PATTERN SELECT

3-18 AWG WIRES W/ CONNECTOR
 HOUSING: AMP PN 282105-1
 TERMINALS: AMP PN 282109-1
 SEALS: AMP PN 281934-2
 PIN 1 - GROUND(-) WHITE W/ BLACK STRIPE
 PIN 2 - TAIL(+) BROWN
 PIN 3 - STOP/TURN(+) RED W/ WHITE STRIPE



NOTES:
 1. ROHS COMPLIANT
 2. DIMENSIONS IN INCHES[MILLIMETERS (FOR REFERENCE)]

PROPRIETARY AND CONFIDENTIAL INFORMATION

THIS DRAWING AND THE DESIGN AND OTHER INFORMATION DISCLOSED HEREIN ARE THE PROPERTY OF ELECTRONIC CONTROLS COMPANY AND/OR ITS ECCO SAFETY GROUP AFFILIATES ("ECCO") AND IS ISSUED IN CONFIDENCE TO RECIPIENT FOR ENGINEERING INFORMATION PURPOSES ONLY. THIS DRAWING AND THE DESIGN AND OTHER INFORMATION DISCLOSED HEREIN MAY NOT BE USED, COPIED, REPRODUCED OR OTHERWISE DISCLOSED IN PART OR IN WHOLE TO THIRD PARTIES OR USED FOR ANY OTHER PURPOSE WITHOUT PRIOR ECCO WRITTEN CONSENT. ECCO RESERVES ALL PATENT, COPYRIGHT, TRADEMARK AND OTHER PROPRIETARY RIGHTS TO THIS DOCUMENT, INCLUDING ALL DESIGN, MANUFACTURING, REPRODUCTION, USE AND SALES RIGHTS THERETO. THIS DRAWING IS SUBJECT TO RECALL BY ECCO AT ANY TIME, AND YOUR POSSESSION AND/OR USE CONSTITUTES ACCEPTANCE OF THESE TERMS. ©2021 ELECTRONIC CONTROLS COMPANY

SCALE 1:2.75		APPROVALS	DATE
CAD GENERATED DRAWING DO NOT MANUALLY UPDATE. MODEL REFERENCED: 04		DRAWN BY BTK	2021-03-09
		CHECKED JDT	2021-03-10
TOLERANCES ARE IN INCHES, AND MILLIMETERS TOLERANCES UNLESS OTHERWISE STATED ARE:		MECH. ENG. JLA	2021-03-10
MILLIMETERS DECIMALS XX. ± 1.0mm XX.X ± 0.5mm	INCHES DECIMALS X.X ± 0.1 X.XX ± 0.04 X.XXX ± 0.02	ELEC. ENG. SPO	2021-03-09
	ANGLES ± 0.5° FRACTIONS ± 1/64	TEST ENG. JRT	2021-03-10
		SALES.	
THIRD ANGLE PROJECTION			
Electronically Controlled Use Latest Copy		ECCO ® www.eccolink.com Americas (800) 635-5900 Europe +44 (0)113 237 5340 Asia Pacific +61 (0)3 63322444 DIRECTIONAL, 4" ROUND, STR-W COMBO, AMP, AW CUSTOMER PART NO. ED3040AW-AMP3S	
SIZE: A	DWG. NO. ED3040AW-AMP3S	REV. A	
SHEET 1 OF 1		Project: EL0220	Date Created: 2021-02-04

REVISION HISTORY		
REV.	DESCRIPTION	DATE
05	REVISED PER EL0220	2021-03-09
06	REVISED PER EL0220	2021-03-09
A	INITIAL RELEASE PER EL0220	2021-03-10

SPECIFICATIONS

- CERTIFICATIONS: ECE R10; DOT SAE J595 CLASS 1 AMBER/WHITE; CA Title 13 CLASS B AMBER; IP67/IP69K; RoHS, DOT ISTRW-1
 Note: Unique components, accessories, and hardware kits are not typically included in the Product Certification Test Protocols. Unless otherwise Specified, the Product Certifications referred to herein are predicated upon the base product model configuration.
- FLASH MODE: SINGLE : 75 ± 5 FLASHES PER MINUTE
 SINGLE : 375 ± 5 FLASHES PER MINUTE
 DOUBLE : 75 ± 5 FLASHES PER MINUTE
- VOLTAGE (NOMINAL): 12-24 VDC
- VOLTAGE (EXTREME): 9-32 VDC
- CURRENT (PEAK): 1.1A (@ 12 VDC NOMINAL)
- POWER (MAXIMUM): 14.1W (@ 12 VDC NOMINAL)
- TEMPERATURE RANGE: -40°F (-40°C) TO 149°F (65°C)
- CONNECTION: 5 - 18 AWG WIRES + 3 - 18 AWG WIRES W/CONNECTOR
- MOUNTING: GROMMET
- BASE MATERIAL: POLYCARBONATE
- LENS MATERIAL: POLYCARBONATE
- PRODUCT WEIGHT: 0.5 LBS (0.23 Kg)