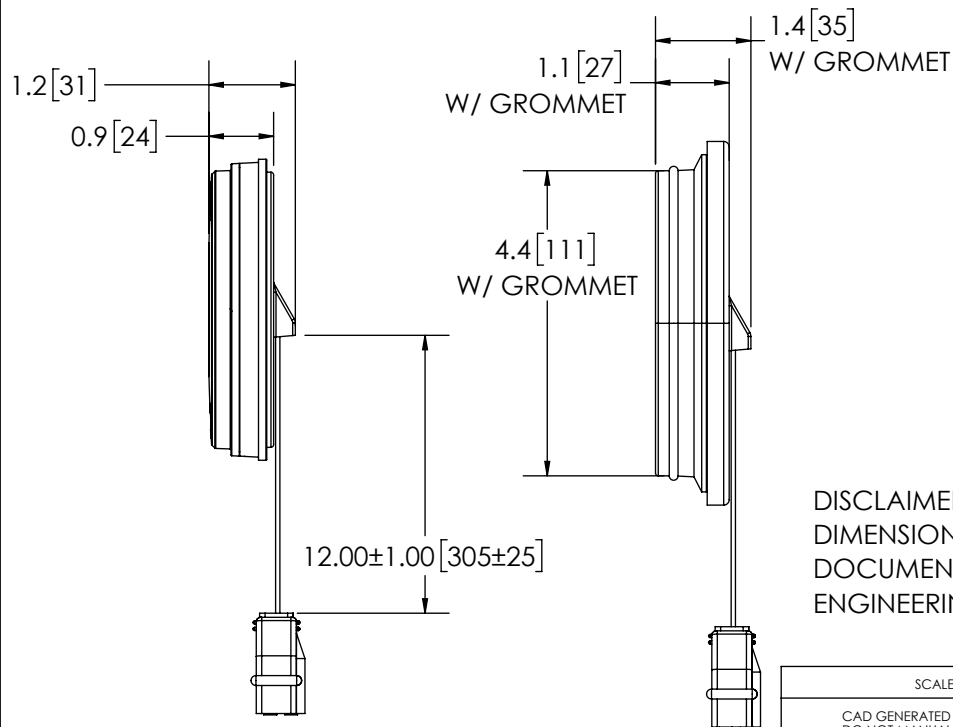


5-18 AWG WIRES STRIPPED & TINNED
 RED(+) - POWER, COLOR 1
 WHITE(+) - POWER, COLOR 2
 GRAY(+) - REVERSE
 YELLOW - SYNC
 BLUE(-) - FLASH PATTERN SELECT

3-18 AWG WIRES W/ CONNECTOR
 PIN 1- GROUND(-) WHITE W/ BLACK STRIPE
 PIN 2- TAIL (+) BROWN
 PIN 3- STOP/TURN(+) RED W/ WHITE STRIPE



NOTES:
 1. ROHS COMPLIANT
 2. DIMENSIONS IN INCHES[MILLIMETERS (FOR REFERENCE)]

DISCLAIMER

DIMENSIONS, ILLUSTRATIONS, SPECIFICATIONS AND CERTIFICATIONS CONTAINED IN THIS DOCUMENT ARE TYPICAL OF THE ACTUAL PRODUCT AND ARE SUBJECT TO CHANGE. ECCO ENGINEERING DOES NOT MAINTAIN FORMAL DESIGN CONTROL OF THIS PRODUCT.

REVISION HISTORY


REV.	DESCRIPTION	DATE
03	REVISED PER EL0220	2021-01-19
A	INITIAL RELEASE PER EL0220	2021-02-01
B	REVISED PER EL0220	2021-02-16

SPECIFICATIONS

- CERTIFICATIONS: ECE R10; SAE J595 CLASS 1 AMBER/WHITE; CA Title 13 CLASS B AMBER; IP67/IP69K DOT ISTRW-1
 Note: Unique components, accessories, and hardware kits are not typically included in the Product Certification Test Protocols. Unless otherwise Specified, the Product Certifications referred to herein are predicated upon the base product model configuration.
- FLASH MODE: SINGLE : 75 ± 5 FLASHES PER MINUTE
 SINGLE : 375 ± 5 FLASHES PER MINUTE
 DOUBLE : 75 ± 5 FLASHES PER MINUTE
- VOLTAGE (NOMINAL): 12-24 VDC
- VOLTAGE (EXTREME): 9-32 VDC
- CURRENT (PEAK): 1.1A (@ 12 VDC NOMINAL)
- POWER (MAXIMUM): 14.1W (@ 12 VDC NOMINAL)
- TEMPERATURE RANGE: -40°F (-40°C) TO 149°F (65°C)
- CONNECTION: FEMALE PL3 CONNECTOR
- MOUNTING: GROMMET
- BASE MATERIAL: POLYCARBONATE
- LENS MATERIAL: POLYCARBONATE
- PRODUCT WEIGHT: 0.5 LBS (0.23 Kg)

PROPRIETARY AND CONFIDENTIAL INFORMATION

THIS DRAWING AND THE DESIGN AND OTHER INFORMATION DISCLOSED HEREIN ARE THE PROPERTY OF ELECTRONIC CONTROLS COMPANY AND/OR ITS ECCO SAFETY GROUP AFFILIATES ("ECCO") AND IS ISSUED IN CONFIDENCE TO RECIPIENT FOR ENGINEERING INFORMATION PURPOSES ONLY. THIS DRAWING AND THE DESIGN AND OTHER INFORMATION DISCLOSED HEREIN MAY NOT BE USED, COPIED, REPRODUCED OR OTHERWISE DISCLOSED IN PART OR IN WHOLE TO THIRD PARTIES OR USED FOR ANY OTHER PURPOSE WITHOUT PRIOR ECCO WRITTEN CONSENT. ECCO RESERVES ALL PATENT, COPYRIGHT, TRADEMARK AND OTHER PROPRIETARY RIGHTS TO THIS DOCUMENT, INCLUDING ALL DESIGN, MANUFACTURING, REPRODUCTION, USE AND SALES RIGHTS THERETO. THIS DRAWING IS SUBJECT TO RECALL BY ECCO AT ANY TIME, AND YOUR POSSESSION AND/OR USE CONSTITUTES ACCEPTANCE OF THESE TERMS. ©2020 ELECTRONIC CONTROLS COMPANY

SCALE 1:2.75		APPROVALS	DATE
CAD GENERATED DRAWING DO NOT MANUALLY UPDATE. MODEL REFERENCED: 01		DRAWN BY ABB	2021-02-16
TOLERANCES ARE IN INCHES, AND MILLIMETERS TOLERANCES UNLESS OTHERWISE STATED ARE:		CHECKED MDH	2021-02-16
MILLIMETERS DECIMALS XX. ± 1.0mm XX.X ± 0.5mm	INCHES DECIMALS X.X ± 0.1 X.XX ± 0.04 X.XXX ± 0.02	MECH. ENG.	
	ANGLES ± 0.5°	ELEC. ENG.	
	FRACTIONS ± 1/64	TEST ENG.	
		SALES	
THIRD ANGLE PROJECTION		 ECCO ® www.eccolink.com Americas (800) 635-5900 Europe +44 (0)113 237 5340 Asia Pacific +61 (0)3 63322444	
		DIRECTIONAL, 4" ROUND, SSTR-W COMBO, PL3, AW	
		CUSTOMER PART NO. ED3040AW	
SIZE: A	DWG. NO. ED3040AW	REV. B	
Electronically Controlled Use Latest Copy		SHEET 1 OF 1	Project: EL0220 Date Created: 2020-12-10