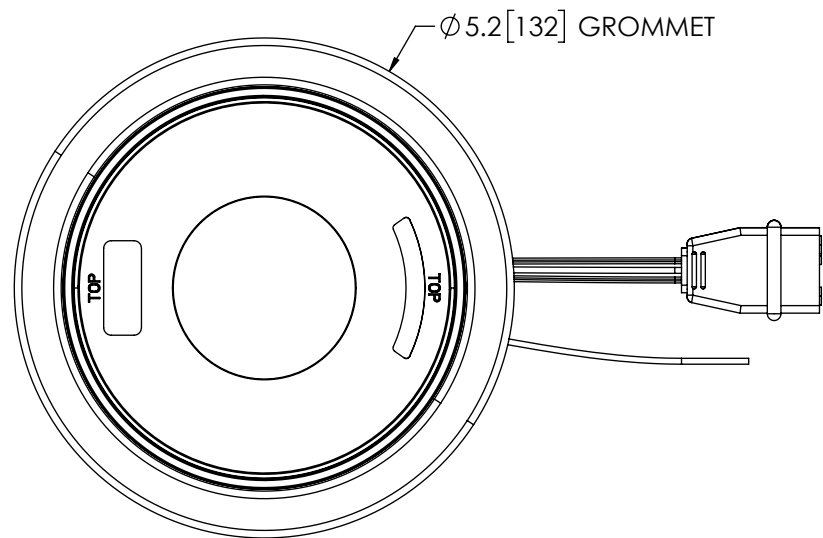
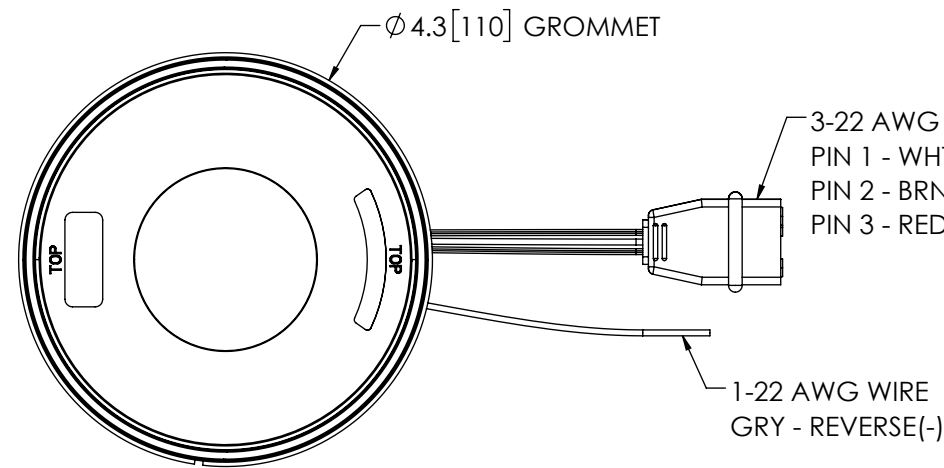


REVISION HISTORY		
REV.	DESCRIPTION	DATE
01	PRELIMINARY RELEASE PER EB0014	2024-02-07
A	INITIAL RELEASE PER EB0014	2024-03-12



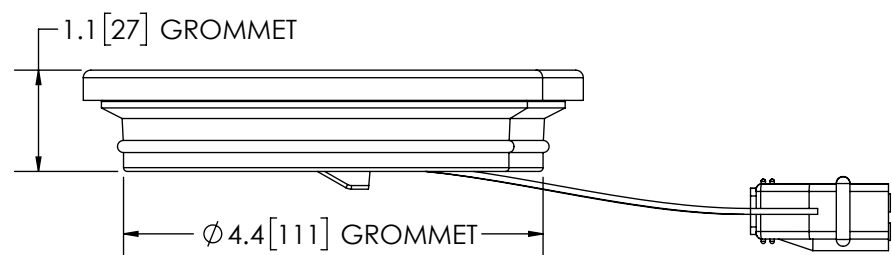
**TOP VIEW
GROMMET MOUNT**



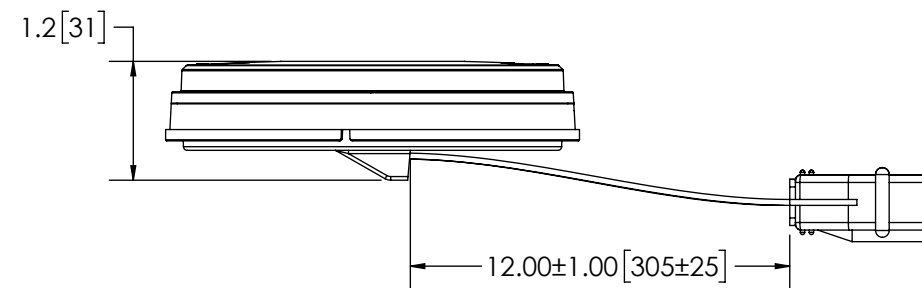
**TOP VIEW
FLUSH MOUNT**

SPECIFICATIONS

- CERTIFICATIONS: ECE R10; SAE J595; IP67/IP69K; DOT ISTRW-1
Note: Unique components, accessories, and hardware kits are not typically included in the Product Certification Test Protocols. Unless otherwise specified, the Product Certifications referred to herein are predicated upon the base product model configuration.
- FLASH MODE: SINGLE: 75 ± 5 FLASHES PER MINUTE
SINGLE: 375 ± 5 FLASHES PER MINUTE
DOUBLE: 75 ± 5 FLASHES PER MINUTE
- VOLTAGE (NOMINAL): 12 - 24 VDC
- VOLTAGE (EXTREME): 9 - 32 VDC
- CURRENT (PEAK): 1.1 A (@12 VDC NOMINAL)
- POWER (EXTREME): 14.1 W (@12 VDC NOMINAL)
- TEMPERATURE RANGE: -40° F (-40° C) to 149° F (65° C)
- CONNECTION: 3-22 AWG WIRES W/ CONN. & 1-22 AWG WIRE
- MOUNTING: GROMMET
- BASE MATERIAL: POLYCARBONATE
- LENS MATERIAL: POLYCARBONATE
- PRODUCT WEIGHT: 0.5 lbs (0.23 Kg)



**FRONT VIEW
GROMMET MOUNT**


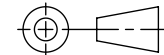


**FRONT VIEW
FLUSH MOUNT**

DISCLAIMER
DIMENSIONS, ILLUSTRATIONS, SPECIFICATIONS, AND CERTIFICATIONS CONTAINED IN THIS DOCUMENT ARE TYPICAL OF THE ACTUAL PRODUCT AND ARE SUBJECT TO CHANGE. ESG ENGINEERING DOES NOT MAINTAIN FORMAL DESIGN CONTROL OF THIS PRODUCT.

- NOTES:
- ROHS COMPLIANT
 - DIMENSIONS IN INCHES[MILLIMETERS (FOR REFERENCE)]

PROPRIETARY AND CONFIDENTIAL INFORMATION
THIS DRAWING AND THE DESIGN AND OTHER INFORMATION DISCLOSED HEREIN ARE THE PROPERTY OF ELECTRONIC CONTROLS COMPANY AND/OR ITS ECCO SAFETY GROUP AFFILIATES ("ECCO") AND IS ISSUED IN CONFIDENCE TO RECIPIENT FOR ENGINEERING INFORMATION PURPOSES ONLY. THIS DRAWING AND THE DESIGN AND OTHER INFORMATION DISCLOSED HEREIN MAY NOT BE USED, COPIED, REPRODUCED OR OTHERWISE DISCLOSED IN PART OR IN WHOLE TO THIRD PARTIES OR USED FOR ANY OTHER PURPOSE WITHOUT PRIOR ECCO WRITTEN CONSENT. ECCO RESERVES ALL PATENT, COPYRIGHT, TRADEMARK AND OTHER PROPRIETARY RIGHTS TO THIS DOCUMENT, INCLUDING ALL DESIGN, MANUFACTURING, REPRODUCTION, USE AND SALES RIGHTS THEREIN. THIS DRAWING IS SUBJECT TO RECALL BY ECCO AT ANY TIME, AND YOUR POSSESSION AND/OR USE CONSTITUTES ACCEPTANCE OF THESE TERMS. ©2024 ELECTRONIC CONTROLS COMPANY

SCALE 1:2	APPROVALS	DATE	 Americas (800) 635-5900 Europe +44 (0)113 237 5340 Asia Pacific +61 (0)3 63322444								
CAD GENERATED DRAWING DO NOT MANUALLY UPDATE.	DRAWN BY BTK CHECKED ABD	2024-02-07 2024-02-08									
TOLERANCES ARE IN INCHES, AND MILLIMETERS TOLERANCES UNLESS OTHERWISE STATED ARE:	MECH. ENG. JLA	2024-02-08	DIRECTIONAL, 4" ROUND, STTR-W, PL3 CUSTOMER PART NO. ED3040STTR								
<table border="1"> <tr> <th>MILLIMETERS DECIMALS</th> <th>INCHES DECIMALS</th> <th>ANGLES</th> <th>FRACTIONS</th> </tr> <tr> <td>XX. ± 1.0mm XX.X ± 0.5mm</td> <td>X.X ± 0.1 X.XX ± 0.04 X.XXX ± 0.02</td> <td>± 0.5°</td> <td>± 1/64</td> </tr> </table>	MILLIMETERS DECIMALS	INCHES DECIMALS		ANGLES	FRACTIONS	XX. ± 1.0mm XX.X ± 0.5mm	X.X ± 0.1 X.XX ± 0.04 X.XXX ± 0.02	± 0.5°	± 1/64	ELEC. ENG. SPO TEST ENG. JJ SALES.	2024-02-08 2024-02-15
MILLIMETERS DECIMALS	INCHES DECIMALS	ANGLES		FRACTIONS							
XX. ± 1.0mm XX.X ± 0.5mm	X.X ± 0.1 X.XX ± 0.04 X.XXX ± 0.02	± 0.5°	± 1/64								
THIRD ANGLE PROJECTION			SIZE: B DWG. NO. ED3040STTR Project: EB0014 Date Created: 2024-02-07								
Electronically Controlled Use Latest Copy			SHEET 1 OF 1 REV. A								