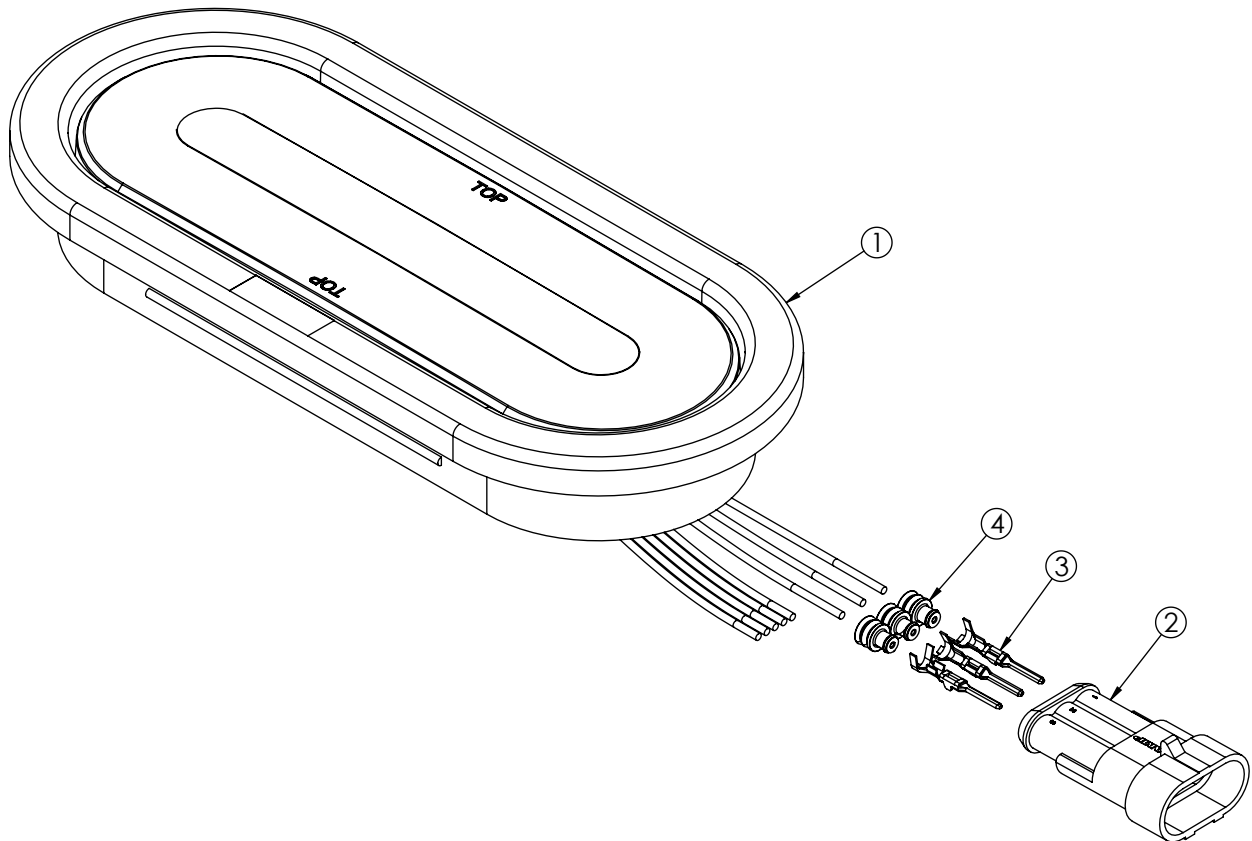


REVISION HISTORY		
REV.	DESCRIPTION	DATE
01	PRELIMINARY RELEASE PER EB0011	2023-10-13
A	INITIAL RELEASE PER EB0011	2023-10-16



CONFIG. CHART	
FGS. NO.	LENS. NO.
ED3060AB-AMP3S	ED3060AB
ED3060AG-AMP3S	ED3060AG
ED3060AW-AMP3S	ED3060AW

ITEM NO.	QTY.	PART NUMBER	DESCRIPTION	COMMENTS
1	1	ED3060XX	DIRECTIONAL,6" OVAL,STTR-W COMBO,PL3	
2	1	350-0249-00	CON,H0,TE_CONN,3P,282105-1	
3	3	360-0344-00	TERMINAL,MALE,22-20AWG	
4	3	430-0060-00	SEAL,WIRE,GREEN	

APPROVALS		DATE
DRAWN BY	BTK	2023-10-13
CHECKED	ABD	2023-10-16
MECH. ENG.		
ELEC. ENG.		
MFG. ENG.	AJ	2023-10-16



United States
1-800-635-5900
Americas@eccogroup.com

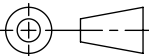
United Kingdom
+44 (0)113 237 5340
Europe@eccogroup.com

Australia
+61 (0)3 63322444
AsiaPacific@eccogroup.com

DIRECTIONAL,6" OVAL,STTR-W COMBO,AMP

SIZE: A	DWG. NO. 100-ED3060XX-AMP3S	REV. A
SHEET 1 OF 1		Date Created: 2023-10-13

SCALE 2:3
CAD GENERATED DRAWING
DO NOT MANUALLY UPDATE.



Electronically Controlled Use Latest Copy

PROPRIETARY AND CONFIDENTIAL INFORMATION

THIS DRAWING AND THE DESIGN AND OTHER INFORMATION DISCLOSED HEREIN ARE THE PROPERTY OF ELECTRONIC CONTROLS COMPANY AND/OR ITS ECCO SAFETY GROUP AFFILIATES ("ESG") AND IS ISSUED IN CONFIDENCE TO RECIPIENT FOR ENGINEERING INFORMATION PURPOSES ONLY. THIS DRAWING AND THE DESIGN AND OTHER INFORMATION DISCLOSED HEREIN MAY NOT BE USED, COPIED, REPRODUCED OR OTHERWISE DISCLOSED IN PART OR IN WHOLE TO THIRD PARTIES OR USED FOR ANY OTHER PURPOSE WITHOUT PRIOR ESG WRITTEN CONSENT. ESG RESERVES ALL PATENT, COPYRIGHT, TRADEMARK AND OTHER PROPRIETARY RIGHTS TO THIS DOCUMENT, INCLUDING ALL DESIGN, MANUFACTURING, REPRODUCTION, USE AND SALES RIGHTS THERETO. THIS DRAWING IS SUBJECT TO RECALL BY ESG AT ANY TIME, AND YOUR POSSESSION AND/OR USE CONSTITUTES ACCEPTANCE OF THESE TERMS.
©2023 ELECTRONIC CONTROLS COMPANY