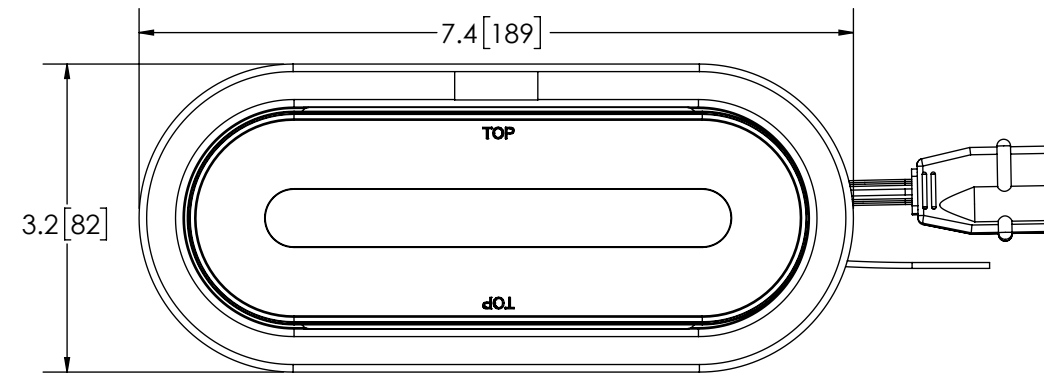
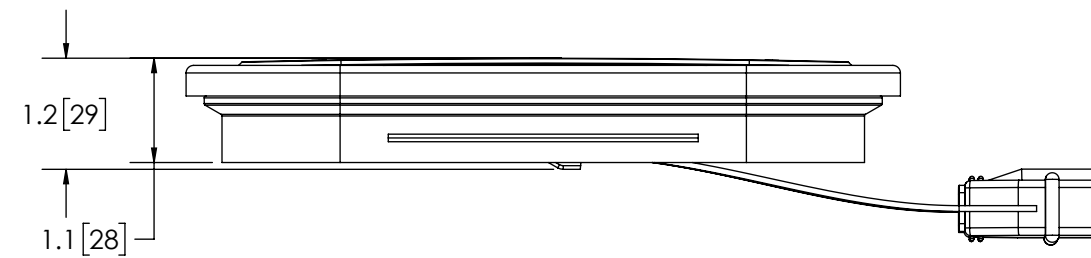


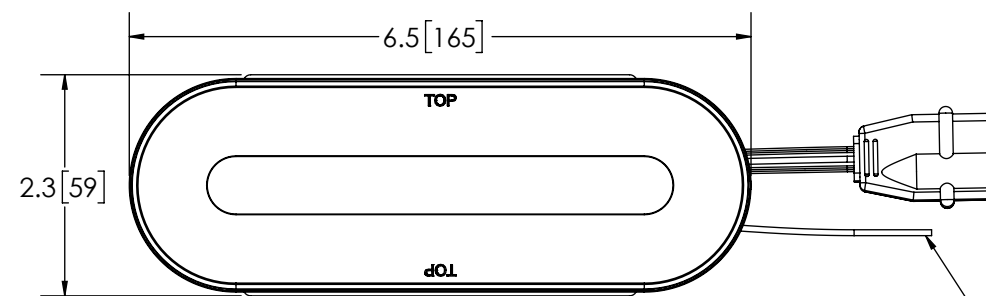
REVISION HISTORY		
REV.	DESCRIPTION	DATE
03	REVISED PER EB0014	2024-06-14
04	REVISED PER EB0014	2024-06-25
A	INITIAL RELEASE PER EB0014	2024-07-10



TOP VIEW W/ GROMMET



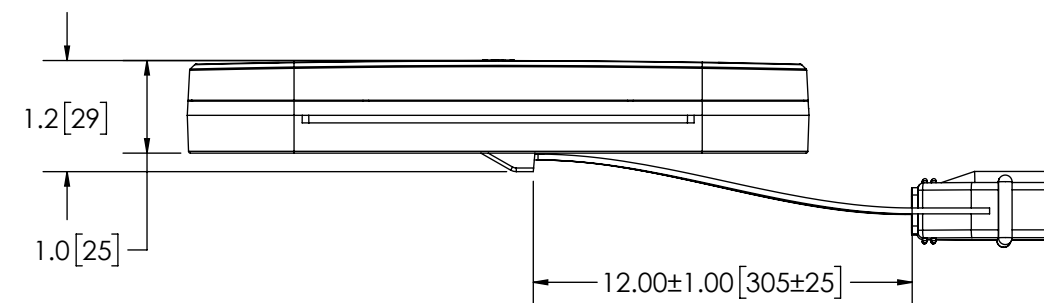
FRONT VIEW W/ GROMMET



TOP VIEW

3-CONDUCTOR CABLE W/ CONN.
3-22 AWG WIRES
PIN 1 - WHITE W/ BLACK STRIPE - GROUND(-)
PIN 2 - BROWN - TAIL(+)
PIN 3 - RED W/ WHITE STRIPE - STOP/TURN(+)

1-22 AWG WIRE STRIPPED & TINNED
GRAY - REVERSE(+)



FRONT VIEW


- ### SPECIFICATIONS
- CERTIFICATIONS: IP67/IP69K; RoHS, DOT TYPE I, S, T, R
Note: Unique components, accessories and hardware kits are not typically included in the Product Certification Test Protocols. Unless otherwise specified, the Product Certifications referred to herein are predicated upon the base product model configuration.
 - VOLTAGE (NOMINAL): 12-24 VDC
 - VOLTAGE (EXTREME): 10-32 VDC
 - CURRENT (PEAK): 0.31 A (@ 12 VDC NOMINAL)
 - POWER (MAXIMUM): 4.0 W (@ 12 VDC NOMINAL)
 - TEMPERATURE RANGE: -40°F (-40°C) TO 149°F (65°C)
 - CONNECTION: 3 - 22 AWG WIRES W/CONNECTOR + 1-22 AWG WIRE
 - MOUNTING: GROMMET
 - BASE MATERIAL: POLYCARBONATE
 - LENS MATERIAL: POLYCARBONATE
 - PRODUCT WEIGHT: 0.5 LBS (0.23 Kg)

DISCLAIMER
DIMENSIONS, ILLUSTRATIONS, SPECIFICATIONS, AND CERTIFICATIONS CONTAINED IN THIS DOCUMENT ARE TYPICAL OF THE ACTUAL PRODUCT AND ARE SUBJECT TO CHANGE. ESG ENGINEERING DOES NOT MAINTAIN FORMAL DESIGN CONTROL OF THIS PRODUCT.

NOTES:
1. DIMENSIONS IN INCHES[MILLIMETERS (FOR REFERENCE)]

PROPRIETARY AND CONFIDENTIAL INFORMATION

THIS DRAWING AND THE DESIGN AND OTHER INFORMATION DISCLOSED HEREIN ARE THE PROPERTY OF ELECTRONIC CONTROLS COMPANY AND/OR ITS ECCO SAFETY GROUP AFFILIATES ("ECCO") AND IS ISSUED IN CONFIDENCE TO RECIPIENT FOR ENGINEERING INFORMATION PURPOSES ONLY. THIS DRAWING AND THE DESIGN AND OTHER INFORMATION DISCLOSED HEREIN MAY NOT BE USED, COPIED, REPRODUCED OR OTHERWISE DISCLOSED IN PART OR IN WHOLE TO THIRD PARTIES OR USED FOR ANY OTHER PURPOSE WITHOUT PRIOR ECCO WRITTEN CONSENT. ECCO RESERVES ALL PATENT, COPYRIGHT, TRADEMARK AND OTHER PROPRIETARY RIGHTS TO THIS DOCUMENT, INCLUDING ALL DESIGN, MANUFACTURING, REPRODUCTION, USE AND SALES RIGHTS THEREIN. THIS DRAWING IS SUBJECT TO RECALL BY ECCO AT ANY TIME, AND YOUR POSSESSION AND/OR USE CONSTITUTES ACCEPTANCE OF THESE TERMS. ©2023 ELECTRONIC CONTROLS COMPANY

SCALE 1:2	APPROVALS	DATE	 ECCO www.eccolink.com Americas (800) 635-5900 Europe +44 (0)113 237 5340 Asia Pacific +61 (0)3 63322444															
CAD GENERATED DRAWING DO NOT MANUALLY UPDATE.	DRAWN BY ADJ	2024-06-25																
TOLERANCES ARE IN INCHES, AND MILLIMETERS TOLERANCES UNLESS OTHERWISE STATED ARE:	CHECKED BTK	2024-06-28																
<table border="1"> <tr> <th>MILLIMETERS DECIMALS</th> <th>INCHES DECIMALS</th> <th>ANGLES</th> <th>FRACTIONS</th> </tr> <tr> <td>XX ± 1.0mm</td> <td>X.X ± 0.1</td> <td>± 0.5°</td> <td>± 1/64</td> </tr> <tr> <td>XX.X ± 0.5mm</td> <td>X.XX ± 0.04</td> <td></td> <td></td> </tr> <tr> <td></td> <td>X.XXX ± 0.02</td> <td></td> <td></td> </tr> </table>	MILLIMETERS DECIMALS	INCHES DECIMALS		ANGLES	FRACTIONS	XX ± 1.0mm	X.X ± 0.1	± 0.5°	± 1/64	XX.X ± 0.5mm	X.XX ± 0.04				X.XXX ± 0.02			MECH. ENG. JLA
MILLIMETERS DECIMALS	INCHES DECIMALS	ANGLES	FRACTIONS															
XX ± 1.0mm	X.X ± 0.1	± 0.5°	± 1/64															
XX.X ± 0.5mm	X.XX ± 0.04																	
	X.XXX ± 0.02																	
	ELEC. ENG. SPO	2024-06-26	DIRECTIONAL, 6" OVAL, STR-W, PL3															
	TEST ENG. JJ	2024-06-27	CUSTOMER PART NO. ED3060STTR															
	SALES		SIZE: B DWG. NO. ED3060STTR REV. A															
THIRD ANGLE PROJECTION	Electronically Controlled Use Latest Copy		SHEET 1 OF 1 Project: EB0014 Date Created: 2024-03-15															