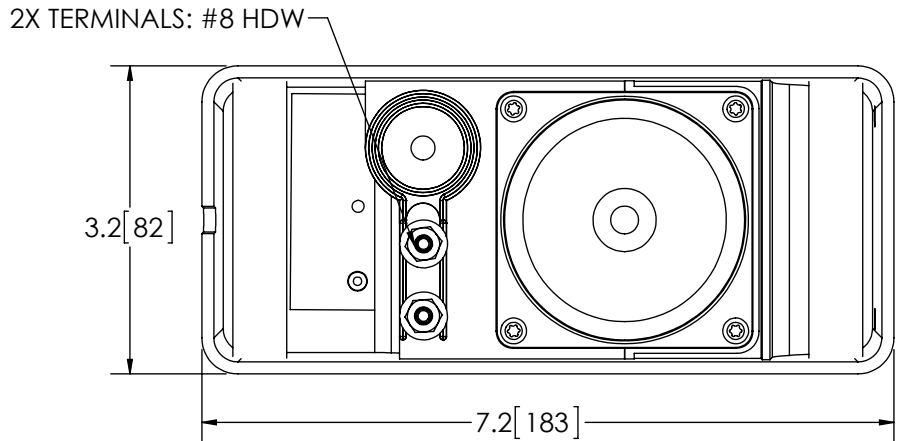
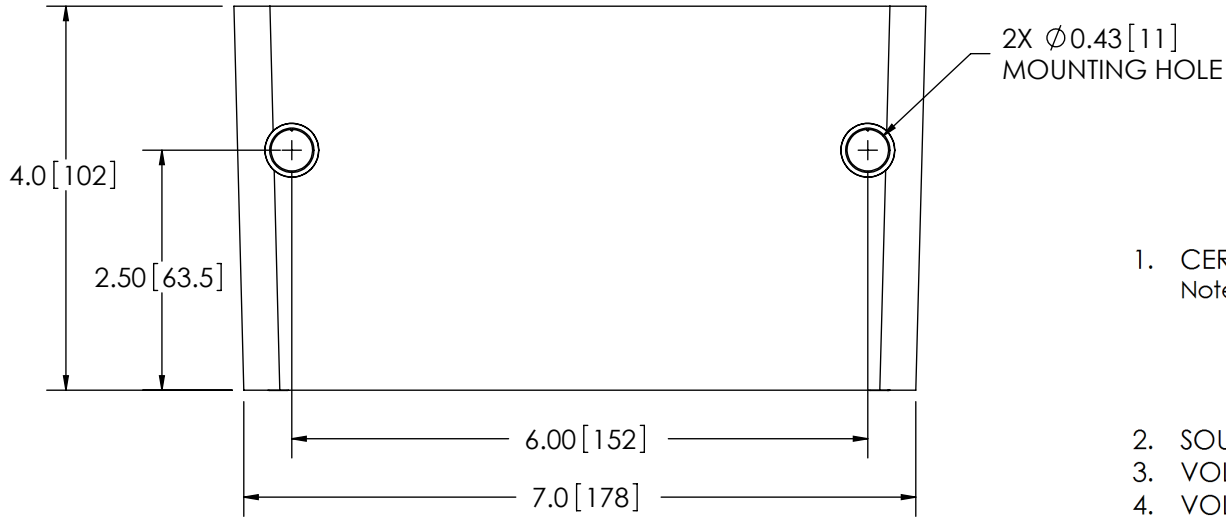


REVISION HISTORY		
REV.	DESCRIPTION	DATE
02	REVISED PER P08032	2011-11-01
03	REVISED PER P08032	2011-11-28
A	INITIAL RELEASE PER P08032	2011-12-28



SPECIFICATIONS

- CERTIFICATIONS: PENDING
Note: Unique components, accessories, and hardware kits are not typically included in the Product Certification Test Protocols. Unless otherwise Specified, the Product Certifications referred to herein are predicated upon the base product model configuration.
- SOUND PRESSURE LEVEL: 117 ± 4 dB (A) @ 1.2m (4ft)
- VOLTAGE (NOMINAL): 12 to 24 VDC
- VOLTAGE (EXTREME): 9.0 to 32.0 VDC
- CURRENT (PEAK): PENDING
- POWER (MAXIMUM): PENDING
- TEMPERATURE RANGE: -40°F (-40°C) TO 185°F (85°C)
- FREQUENCY: 250 to 2800 Hz
- CONNECTION: 8-32 UNI STUD CONNECTION
- RECOMMENDED MOUNTING: 3/8 - 16 UNC, GRADE 5 OR BETTER; 3/8" TYPE A, SERIES N OR W WASHER
- HOUSING MATERIAL: GLASS-FILLED NYLON
- PRODUCT WEIGHT: PENDING

SCALE 1:2		APPROVALS	DATE
CAD GENERATED DRAWING DO NOT MANUALLY UPDATE. MODEL REFERENCED:A		DRAWN BY SNS	2011-11-28
		CHECKED MDH	2011-11-29
TOLERANCES ARE IN INCHES, AND MILLIMETERS TOLERANCES ARE:		MECH. ENG. JLA	2011-11-28
		ELEC. ENG. GCJ	2011-12-15
MILLIMETERS DECIMALS XX. ± 1.0mm XX.X ± 0.5mm	INCHES DECIMALS X.X ± 0.1 X.XX ± 0.04 X.XXX ± 0.02	TEST ENG. JRT	2011-11-29
		SALES. DEH	2011-12-06
THIRD ANGLE PROJECTION			



Preco Safety Products
833 West Diamond Street, Boise, ID 83705
800-635-5900
www.precosafety.com

ALARM, FORWARD HORN, 117DBA, 12-24VDC

CUSTOMER PART NO. FH117 PRODUCT SERIES: FORWARD HORN

SIZE: A	DWG. NO. FH117	REV. A
SHEET 1 OF 1	Project: P08032	Date Created: 2011-10-28

NON DISCLOSURE AGREEMENT

THIS DRAWING AND THE DESIGN IT DISCLOSES ARE THE PRIVATE PROPERTY OF ECCO AND IS ISSUED IN CONFIDENCE FOR ENGINEERING INFORMATION ONLY. THE DRAWING AND / OR DESIGN MAY NOT BE USED, COPIED, REPRODUCED, OR OTHERWISE DISCLOSED IN PART OR AS A WHOLE TO OUTSIDERS OR USED FOR ANY OTHER PURPOSE WITHOUT THE PRIOR WRITTEN CONSENT OF ECCO. THE DRAWING IS SUBJECT TO RECALL AT ANY TIME. YOUR POSSESSION OF THIS DOCUMENT CONSTITUTES ACCEPTANCE OF THESE TERMS. © 2011 ECCO