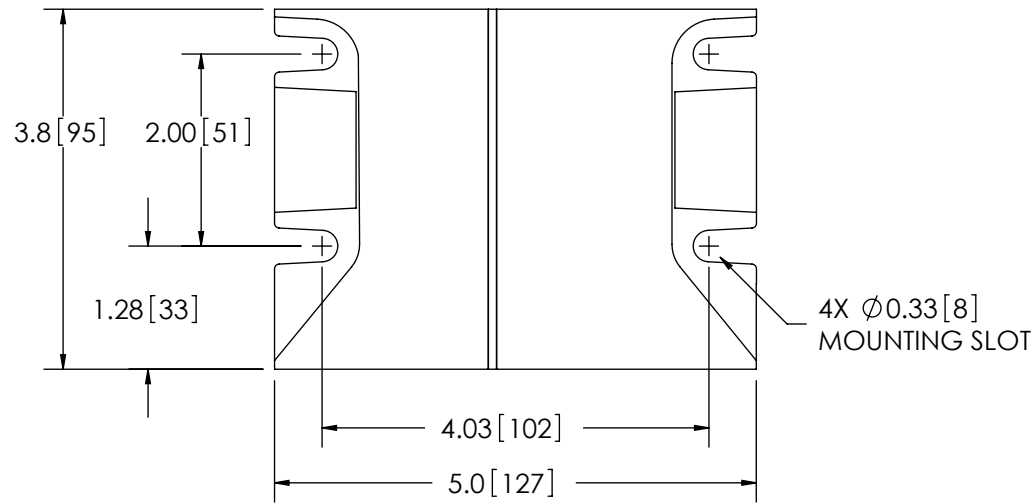
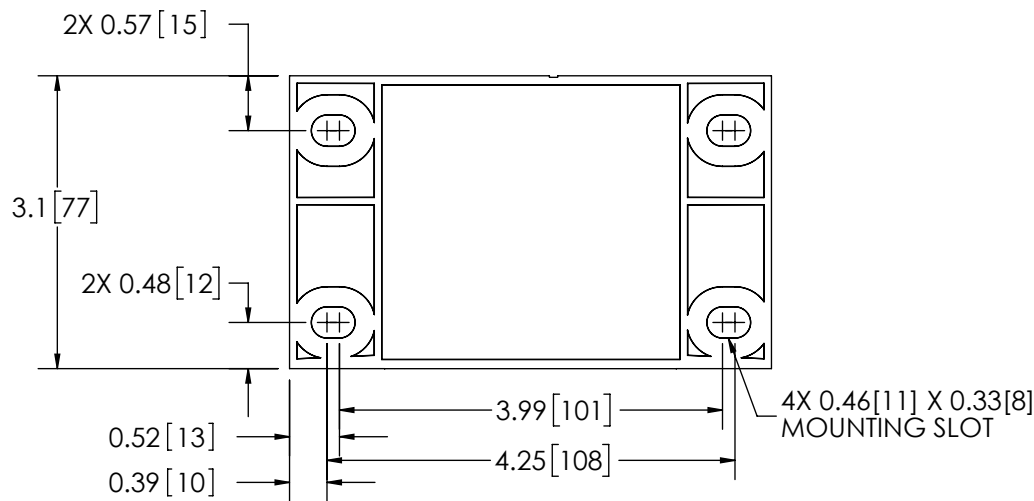


REVISION HISTORY		
REV.	DESCRIPTION	DATE
B	REVISED PER EL0169	2021-01-21
C	REVISED PER EL0169	2023-01-17
D	REVISED PER EL0169	2024-03-15



TOP VIEW



BACK VIEW


SPECIFICATIONS

- CERTIFICATIONS: **CE**; **UL**; ECE R10; C-Tick RCM; IP66
Note: Unique components, accessories, and hardware kits are not typically included in the Product Certification Test Protocols. Unless otherwise specified, the Product Certifications referred to herein are predicated upon the base product model configuration.
- SOUND PRESSURE LEVEL: 112 ±4 dB(A) @1.2 m (4 ft)
- VOLTAGE (NOMINAL): 12-48 VDC
- VOLTAGE (EXTREME): 9-56 VDC
- CURRENT (PEAK): 1.4 A (@12 VDC NOMINAL)
- POWER (MAXIMUM): 19.6 W (@12 VDC NOMINAL)
- TEMPERATURE RANGE: -40° F (-40° C) TO 185° F (85° C)
- FREQUENCY: 250 to 2800 Hz
- CONNECTION: 1/4" SPADE TERMINALS
- RECOMMENDED MOUNTING: 5/16-18 UNC, GRADE 5 OR BETTER: 5/16" TYPE A, SERIES N OR W WASHER, TIGHTEN TO 10-12 ft-lbs
- HOUSING MATERIAL: GLASS-FILLED NYLON
- PRODUCT WEIGHT: 1.5 lbs (0.68 Kg)

- NOTES:
- ROHS COMPLIANT
 - DIMENSIONS IN INCHES[MILLIMETERS (FOR REFERENCE)]

PROPRIETARY AND CONFIDENTIAL INFORMATION

THIS DRAWING AND THE DESIGN AND OTHER INFORMATION DISCLOSED HEREIN ARE THE PROPERTY OF ELECTRONIC CONTROLS COMPANY AND/OR ITS ECCO SAFETY GROUP AFFILIATES ("ECCO") AND IS ISSUED IN CONFIDENCE TO RECIPIENT FOR ENGINEERING INFORMATION PURPOSES ONLY. THIS DRAWING AND THE DESIGN AND OTHER INFORMATION DISCLOSED HEREIN MAY NOT BE USED, COPIED, REPRODUCED OR OTHERWISE DISCLOSED IN PART OR IN WHOLE TO THIRD PARTIES OR USED FOR ANY OTHER PURPOSE WITHOUT PRIOR ECCO WRITTEN CONSENT. ECCO RESERVES ALL PATENT, COPYRIGHT, TRADEMARK AND OTHER PROPRIETARY RIGHTS TO THIS DOCUMENT, INCLUDING ALL DESIGN, MANUFACTURING, REPRODUCTION, USE AND SALES RIGHTS THERETO. THIS DRAWING IS SUBJECT TO RECALL BY ECCO AT ANY TIME, AND YOUR POSSESSION AND/OR USE CONSTITUTES ACCEPTANCE OF THESE TERMS. ©2011 ELECTRONIC CONTROLS COMPANY

SCALE 1:2		APPROVALS	DATE	 ECCO [®] www.eccolink.com Americas (800) 635-5900 Europe +44 (0)113 237 5340 Asia Pacific +61 (0)3 63322444
CAD GENERATED DRAWING DO NOT MANUALLY UPDATE. MODEL REFERENCED: D		DRAWN BY BTK	2024-03-13	
TOLERANCES ARE IN INCHES, AND MILLIMETERS TOLERANCES UNLESS OTHERWISE STATED ARE:		CHECKED ABD	2024-03-14	
MILLIMETERS DECIMALS XX ± 1.0mm XX.X ± 0.5mm	INCHES DECIMALS X.X ± 0.1 X.XX ± 0.04 X.XXX ± 0.02	MECH. ENG. JLA	2024-03-13	
		ELEC. ENG. SPO	2024-03-13	
		TEST ENG. JRT	2024-03-14	
		SALES		
		CUSTOMER PART NO. FH312		
		SIZE: A	DWG. NO. FH312	
		REV. D		
		Electronically Controlled Use Latest Copy		
		SHEET 1 OF 1	Project: P08032	
		Date Created: 2011-10-28		

